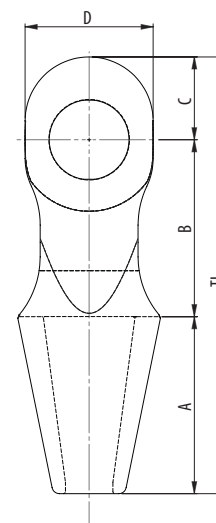
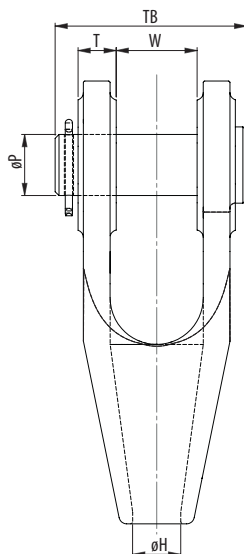
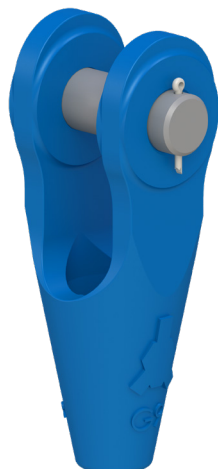


PORT INDUSTRY SOCKETS WITH PIN

NEW

QUENCHED AND
TEMPERED CAST STEEL

SOCKETS



Model No.	MBL (UStons)	for wire ø		Dimensions (inch)										Weight (lbs)
		(mm)	(inch)	A	B	C	D	øH	øP	T	TL	TB	W	
OSS G5 P	132	28-30	1 1/8	5,39	5,31	2,17	1,97	1,42	1,99	1,30	12,87	6,77	2,48	24
OSS G6 P *	165	31-34	1 1/4 - 1 3/8	6,10	5,91	2,36	4,33	1,65	2,17	1,46	365	7,76	2,76	35
OSS G7 P	187	35-38	1 3/8 - 1 1/2	6,93	6,69	2,76	4,72	1,85	2,38	1,61	16,38	8,46	3,15	49
OSS G8 P	248	39-43	1 1/2 - 1 3/4	7,80	7,48	3,15	5,31	2,05	2,78	1,81	18,43	9,53	3,54	62
OSS G9 P *	309	44-54	1 3/4 - 2 1/8	9,25	9,25	4,33	6,69	2,48	3,15	1,97	22,83	10,87	4,17	130
OSS G10 P	397	50-60	2 1/4 - 2 1/2	10,43	9,65	4,72	7,48	2,83	3,58	2,17	24,80	9,29	4,96	143

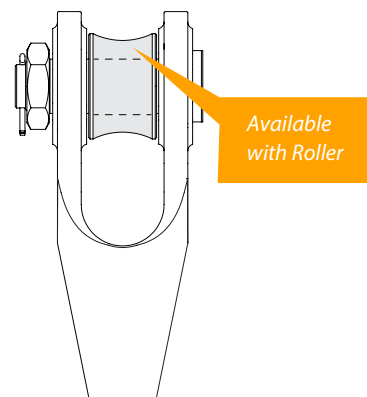
* AVAILABLE FROM STOCK

MBL = Minimum Breaking Load

- The standard finish of the sockets is blue primer coating and hot dipped galvanized.
- All sockets are provided with an EN 10204-2.1 declaration of conformity and EN 10204-3.1 material certificate.
- Dimensional tolerances are ±5% for the jaw opening (W) and pin diameter (øP).
- For other dimensional tolerances please contact Ropeblock.
- Surface finish e.g. hot dip galvanizing or paint may add to the overall thickness and fork distance.



SEE OUR WARNING
& SAFETY INFORMATION
ON PAGES 136 - 149



SEE OUR WARNING AND SAFETY INFORMATION ON PAGE 136

