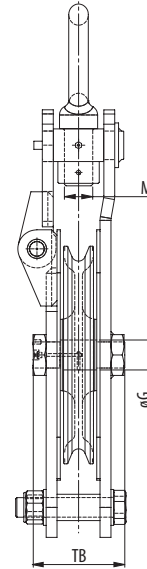
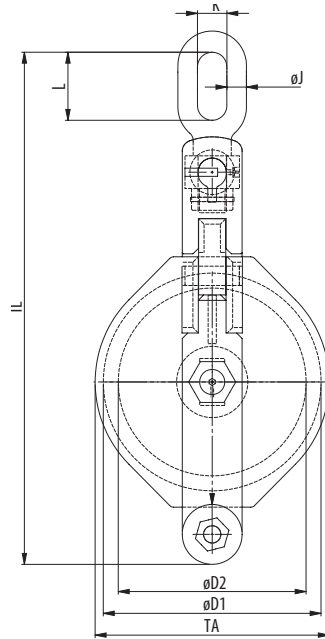


SNATCH BLOCKS SELF LOCKING



- Hook
- Jaw
- Stud eye
- Roller bearings
- Becket

Model No. (+B for w. becket)	WLL (UStons)	for wire ød (inch)	Dimensions (inch)									Weight (lbs)	
			øD1	øD2	øG	øJ	K	L	M	TA	TB		TL
VBK 105.10.1.1.O	1.1	3/8	4.92	4.13	0.87	0.63	1.02	2.28	0.71	5.31	3.15	12.44	10
VBK 120.12.1.2.O	2.2	1/2	5.91	4.72	1.18	0.63	1.02	2.28	0.94	6.69	3.94	15.39	18
VBK 165.14.1.3.O	3.3	5/16	7.87	6.50	1.18	0.83	1.26	2.83	1.18	8.66	3.94	19.02	28
VBK 210.18.1.4.O	4.4	11/16	9.84	8.27	1.38	1.02	1.57	3.70	1.30	10.63	4.33	24.17	46
VBK 255.20.1.6.O	6.6	13/16	11.81	10.04	1.57	1.14	1.77	4.25	1.65	12.60	4.92	27.48	73
VBK 305.22.1.8.O	8.8	7/8	13.78	12.01	1.77	1.26	1.93	4.53	1.77	14.96	5.91	30.59	106
VBK 345.24.1.10.O	11.0	15/16	15.75	13.58	1.97	1.42	2.13	4.92	2.05	16.93	6.69	34.25	150
VBK 345.24.1.12.O	13.2	15/16	15.75	13.58	2.17	1.61	2.36	5.67	2.20	16.93	6.69	35.28	183
VBK 345.28.1.16.O	17.6	1 1/8	15.75	13.58	2.36	1.81	2.60	6.42	2.52	16.93	7.09	37.40	209
VBK 390.30.1.16.O	17.6	1 3/16	17.72	15.35	2.76	1.81	2.60	6.42	2.52	18.90	7.09	38.58	234
VBK 345.30.1.20.O	22.0	1 3/16	15.75	13.58	2.76	2.01	2.83	6.81	2.83	16.93	7.87	38.98	269
VBK 390.32.1.20.O	22.0	1 1/4	17.72	15.35	2.76	2.01	2.83	6.81	2.83	18.90	7.87	40.16	287
VBK 390.36.1.25.O	27.6	1 7/16	17.72	15.35	3.15	2.36	3.15	7.68	2.99	18.90	8.82	41.14	331
VBK 390.36.1.30.O	33.1	1 7/16	17.72	15.35	3.54	2.36	3.54	8.66	3.15	18.90	8.94	48.03	419
VBK 480.42.1.40.O	44.1	1 5/8	21.65	19.49	4.72	-	3.78	3.78	3.54	22.83	9.45	44.88	551

Minimum Ultimate Strength = 4 x WLL

WLL= Working Load Limit on head fitting.

- Snatch blocks can be supplied with becket, the last digit of the stock number should be 1 (instead of 0).
- Standard supplied with bronze bearings. • Other bearings available on request.
- Standard supplied with swivel oval eye up to 30 tons, for over 30 tons with swivel stud eye.
- Snatch blocks of 1 ton and over 30 tons are provided with a fixed trunnion and locking pin.
- Snatch blocks can be supplied with swivel hook, swivel stud eye or swivel jaw.
- Groove in sheave may be adjusted to other wire rope diameters.



SEE OUR WARNING & SAFETY  
INFORMATION ON PAGES 136 - 148

