



CONSTRUCTION SPECIFIC BLOCKS

ROUND OVERHAUL BALLS

The weight of the overhaul balls in this segment are based on average boom lengths and efficiency loss in mobile and crawler cranes. The low friction and easy to access hook swivel design makes the OHB series an excellent choice for a wide variety of crane applications.

Standard features include:

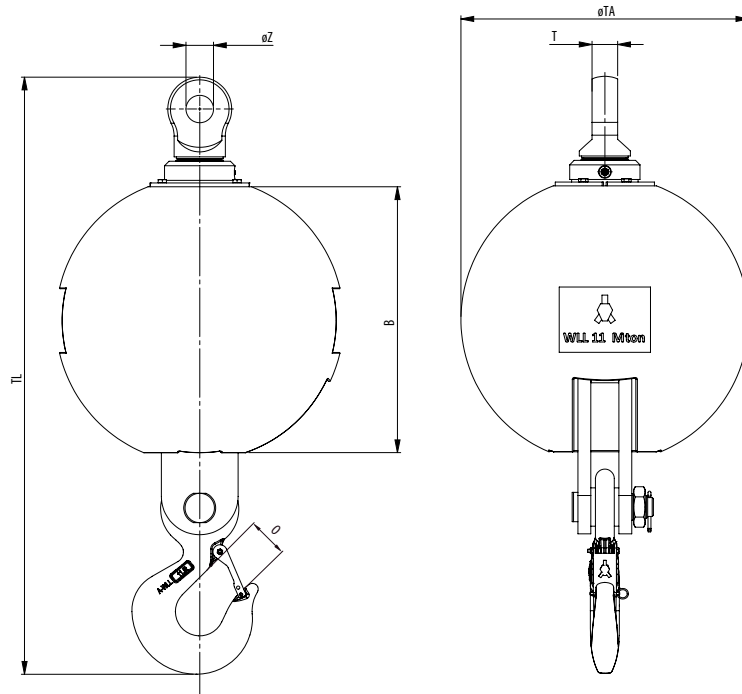
- Top swivelling eye
- Design Factor of 4:1
- High quality, low friction thrust bearing

- Becket size optimized for Ropeblock Sockets such as Open Wedge (OWS), Open Spelter Sockets (OSS), Fast Connector Sockets (FCS) or Super Reeve Connector Sockets (SCS)
- Forged alloy eye hook acc. EN 1677-2
- Body made of cast material
- Robust design
- Operational temperature range: -40 up to +80°C / -40 up to +176°F
- C3M finish, signal yellow

PLEASE CONTACT YOUR SALES REPRESENTATIVE FOR MORE DETAILS



ROUND OVERHAUL BALLS



Model No.	WLL (UStons)	For wire ød (inch)	Dimensions (inch)						Weight (lbs)
			B	O	øTA	TL	T	øZ	
OHB-B 4,5.50-x	5	½ - ¾	7.8	1.7	9.1	26.2	TBD	TBD	110
OHB-B 4,5.110-x	5	½ - ¾	11.4	1.7	12.3	27.4	TBD	TBD	242
OHB-B 4,5.145-x	5	½ - ¾	12.6	1.7	13.5	28.9	TBD	TBD	320
OHB-B 7.50-x	8	½ - ¾	7.8	1.7	9.1	26.2	TBD	TBD	110
OHB-B 7.80-x	8	½ - ¾	10	1.7	11	26.2	TBD	TBD	175
OHB-B 7.110-x	8	½ - ¾	11.4	1.7	12.3	27.4	TBD	TBD	242
OHB-B 7.145-x	8	½ - ¾	12.6	1.7	13.5	28.9	TBD	TBD	320
OHB-B 11.180-x	12	¾ - 1½	13.1	2.1	14.6	33	TBD	TBD	396
OHB-B 11.265-x	12	¾ - 1½	15.4	2.1	16.7	35.9	TBD	TBD	583
OHB-B 11.320-x	12	¾ - 1½	16.4	2.1	17.7	36.9	TBD	TBD	705
OHB-B 11.530-x	12	¾ - 1½	20	2.1	21.1	40.4	TBD	TBD	1165
OHB-B 14.270-x	15	¾ - 1½	15.4	2.3	16.7	37.1	TBD	TBD	594
OHB-B 14.325-x	15	¾ - 1½	16.4	2.3	17.7	38.5	TBD	TBD	715
OHB-B 14.387-x	15	¾ - 1½	17.7	2.3	18.9	38.9	TBD	TBD	850
OHB-B 18.195-x	20	¾ - 1½	13.1	3.1	14.6	38.3	TBD	TBD	429
OHB-B 18.330-x	20	¾ - 1½	16.4	3.1	17.7	42	TBD	TBD	726
OHB-B 18.392-x	20	¾ - 1½	17.7	3.1	18.9	42.6	TBD	TBD	862
OHB-B 18.545-x	20	¾ - 1½	20	3.1	21.1	45.6	TBD	TBD	1200

x = to be replaced by becket size in final part number; TBD = these dimensions vary with wire size

Minimum Ultimate Strength = 4 x WLL

- The dimensions in this table are indicative only. A drawing will always be submitted prior to production and will be the leading document when discussing dimensions.
- Products shown here are standard models; inquiries for custom versions are welcome.



SEE OUR WARNING & SAFETY INFORMATION ON PAGES 136 - 149

