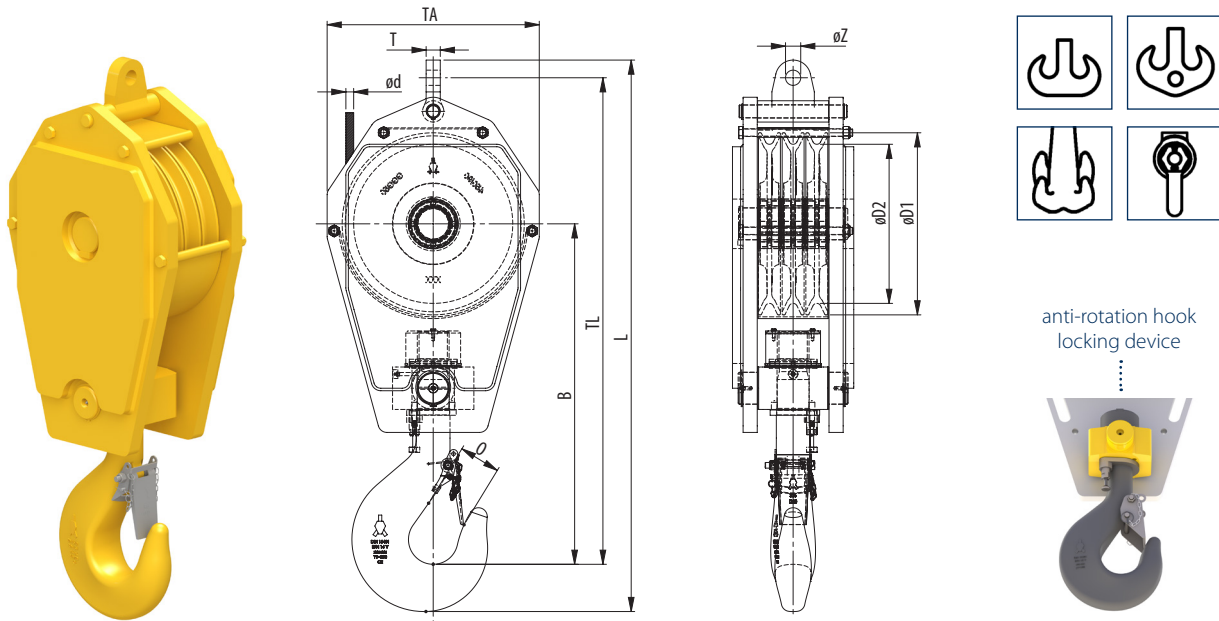


STANDARD REEVE CRANE BLOCKS

3 SHEAVES

CRANE BLOCKS



Model No.	WLL (UStons)	For wire ød (inch)	Hook size	Dimensions (inch)									Weight (lbs)
				øD1	øD2	B	O	TA	TL	L	T	øZ	
SRB 260.xx.3.25.E	27.5	7/16 - 5/8	8	11.8	10.2	25.9	3.1	15.7	37.5	42.8	TBD	TBD	465
SRB 285.xx.3.29.E	32	1/2 - 3/4	8	12.8	11.2	26.3	3.1	15.7	38.5	43.8	TBD	TBD	465
SRB 320.xx.3.29.E	32	9/16 - 3/4	8	14.4	12.6	28.1	3.1	17.7	41.3	46.6	TBD	TBD	495
SRB 355.xx.3.32.E	35	9/16 - 7/8	10	16.1	14	29.6	3.5	19.7	43	49	TBD	TBD	715
SRB 360.xx.3.40.E	44	5/8 - 7/8	12	16.1	14.2	33	3.9	19.7	46.4	52.8	TBD	TBD	1000
SRB 400.xx.3.40.E	44	5/8 - 1	12	18.1	15.7	34	3.9	22.4	49	55.6	TBD	TBD	1100
SRB 400.xx.3.50.E	55	5/8 - 1	12	18.1	15.7	34	3.9	22.4	49	56.1	TBD	TBD	1100 1200
SRB 450.xx.3.50.E	55	3/4 - 1 1/8	16	20.3	17.7	38.6	4.4	23.6	53.5	60.3	TBD	TBD	1450
SRB 360.xx.3.55.E	60	5/8 - 7/8	12	16.1	14.2	33	3.9	19.7	46.4	52.9	TBD	TBD	1000
SRB 400.xx.3.55.E	60	5/8 - 1	12	18.1	15.7	34	3.9	22.4	49	55.6	TBD	TBD	1200
SRB 450.xx.3.64.E	70	3/4 - 1 1/8	16	20.3	17.7	37.9	4.4	23.6	54.2	61.3	TBD	TBD	1500 1700
SRB 450.xx.3.70.E	77	3/4 - 1 1/8	16	20.3	17.7	38.3	4.4	23.6	55	62.9	TBD	TBD	1500 1650
SRB 528.xx.3.73.E	80	7/8 - 1 1/4	16	23.4	20.8	41.6	4.4	27.9	59.4	67.5	TBD	TBD	2350
SRB 528.xx.3.82.E	90	7/8 - 1 1/4	20	23.4	20.8	44.6	4.9	28	63.5	71.7	TBD	TBD	2500
SRB 528.xx.3.100.E	110	7/8 - 1 1/4	25	23.4	20.8	48.1	5.5	28	66.3	75.3	TBD	TBD	2800
SRB 670.xx.3.125.E	137.5	1 - 1 3/8	25	29.9	26.4	53.3	5.5	34.3	75.5	85	TBD	TBD	6380

Minimum Ultimate Strength = 4 x WLL

xx = to be replaced by metric wire size in final part number; TBD = these dimensions vary with wire size;

* blocks can be fitted with removable / interchangeable cheek weights

- The dimensions in this table are indicative only. A drawing will always be submitted prior to production and will be the leading document when discussing dimensions.
- Blocks shown here are standard models; inquiries for custom versions are welcome.
- Refer to wire rope manufacturers D/d ratio guideline.
- Hook locking pin included on all blocks 45UStons and higher.



SEE OUR WARNING & SAFETY INFORMATION ON PAGES 136 - 149

SEE OUR WARNING AND SAFETY INFORMATION ON PAGE 136

