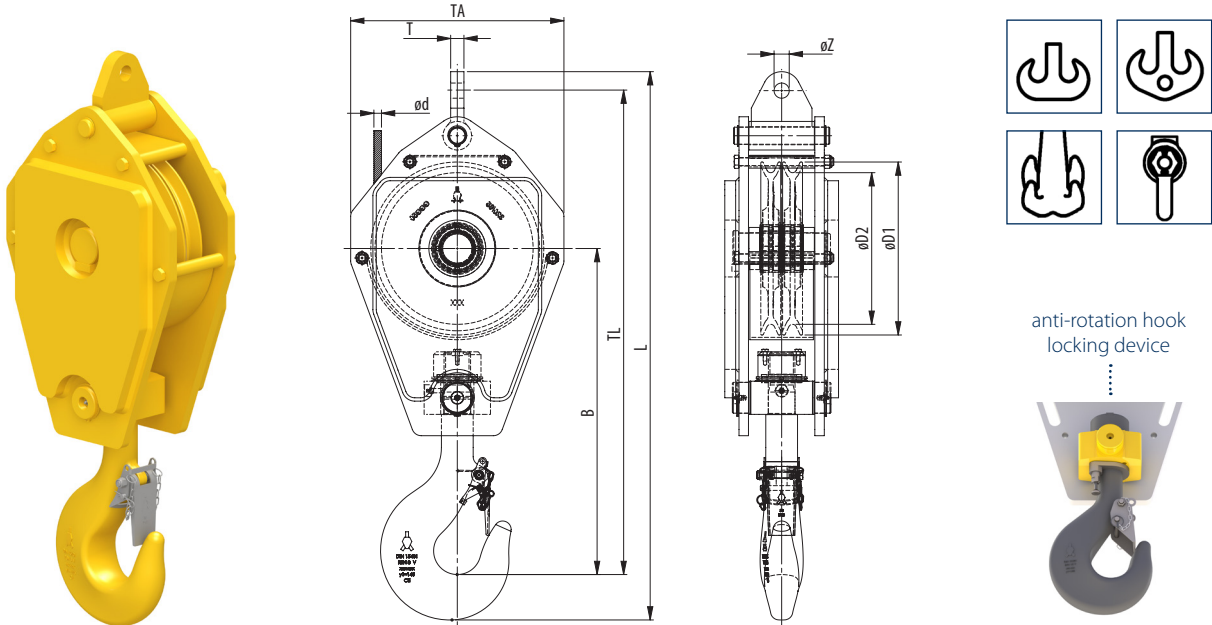


STANDARD REEVE CRANE BLOCKS

2 SHEAVES



Model No.	WLL (UStons)	For wire ød (inch)	Hook size	Dimensions (inch)									Weight (lbs)
				øD1	øD2	B	O	TA	TL	L	T	øZ	
SRB 225.xx.2.16.E	17.6	3/8 - 5/16	6	11.8	10.2	23.3	2.8	15.7	34.6	39.5	TBD	TBD	240
SRB 260.xx.2.16.E	17.6	7/16 - 5/8	6	11.8	10.2	23.3	2.8	15.7	34.6	39.5	TBD	TBD	285 350
SRB 285.xx.2.16.E	17.6	1/2 - 3/4	6	12.6	11	23.9	2.8	16.5	35.7	40.7	TBD	TBD	210
SRB 260.xx.2.20.E	22	7/16 - 5/8	8	11.8	10.2	26.7	3.1	15.7	43	38	TBD	TBD	285 350
SRB 285.xx.2.20.E	22	1/2 - 3/4	8	12.6	11	26.3	3.1	16.5	38.1	43.4	TBD	TBD	285 330
SRB 320.xx.2.20.E	22	9/16 - 3/4	8	14.4	12.6	27.1	3.1	17.7	39.8	45.1	TBD	TBD	350
SRB 320.xx.2.22.E	24	9/16 - 3/4	8	14.4	12.6	27.1	3.1	17.7	39.8	45.6	TBD	TBD	350
SRB 260.xx.2.25.E	27.5	7/16 - 5/8	8	11.8	10.2	26.5	3.1	15.7	37.7	42.8	TBD	TBD	350
SRB 320.xx.2.25.E	27.5	9/16 - 3/4	8	14.4	12.6	27.1	3.1	17.7	39.8	45.1	TBD	TBD	450
SRB 355.xx.2.29.E	32	9/16 - 7/8	8	16.1	14	28.1	3.1	19.7	41.9	47.4	TBD	TBD	550
SRB 400.xx.2.29.E	32	5/8 - 1	8	18.1	15.7	29.3	3.1	22.4	44.4	50.1	TBD	TBD	705
SRB 450.xx.2.40.E	45	3/4 - 1 1/8	12	20.3	17.7	35.2	3.9	23.6	52	58.1	TBD	TBD	1210
SRB 450.xx.2.50.E	55	3/4 - 1 1/8	12	20.3	17.7	35.2	3.9	23.6	52	59.6	TBD	TBD	1210
SRB 400.xx.2.55.E	60	5/8 - 1	12	18.1	15.7	34	3.9	22.4	48.9	55.6	TBD	TBD	800
SRB 528.xx.2.64.E	70	7/8 - 1 1/4	16	23.4	20.8	39.5	4.4	28	58.4	65.9	TBD	TBD	2155
SRB 528.xx.2.80.E	88	7/8 - 1 1/4	20	23.4	20.8	43.7	4.9	28	62.6	71.2	TBD	TBD	2200
SRB 670.xx.2.100.E	110	1 - 1 3/8	20	29.9	26.4	49.5	4.9	34.3	71.7	80.4	TBD	TBD	4930

Minimum Ultimate Strength = 4 x WLL

xx = to be replaced by metric wire size in final part number; TBD = these dimensions vary with wire size;

* blocks can be fitted with removable / interchangeable cheek weights

- The dimensions in this table are indicative only. A drawing will always be submitted prior to production and will be the leading document when discussing dimensions.
- Blocks shown here are standard models; inquiries for custom versions are welcome.
- Refer to wire rope manufacturers D/d ratio guideline.
- Hook locking pin included on all blocks 45UStons and higher.



SEE OUR WARNING & SAFETY INFORMATION ON PAGES 136 - 149

