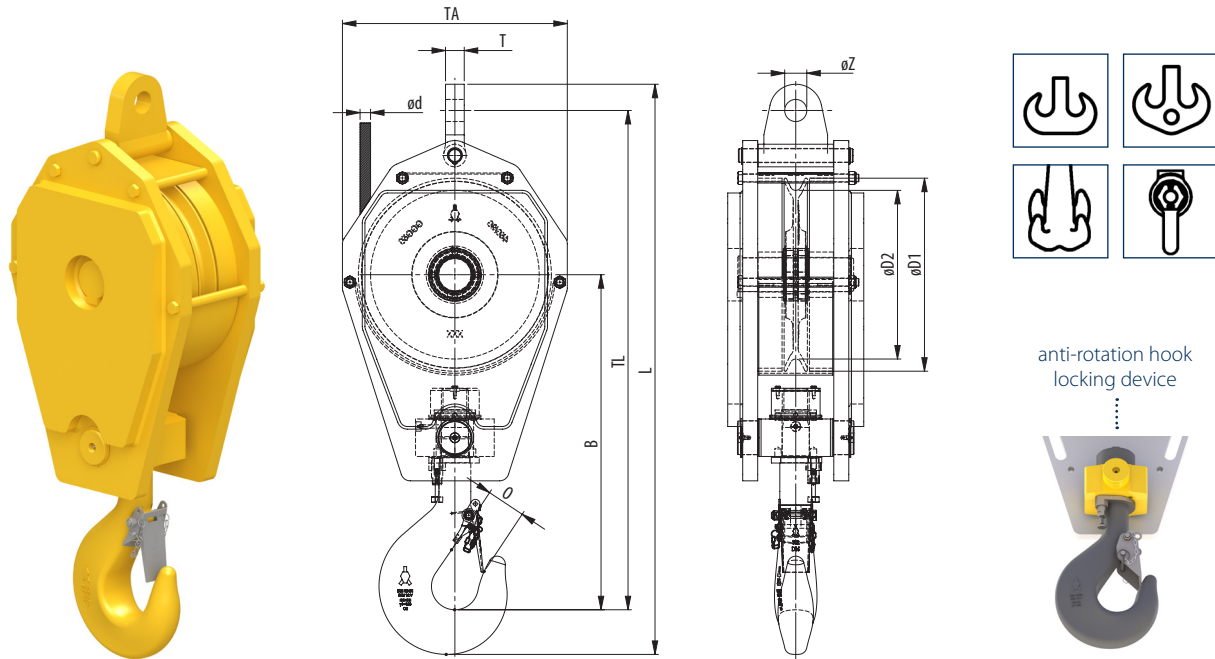


STANDARD REEVE CRANE BLOCKS

1 SHEAVE



Model No.	WLL (UStons)	For wire ød (inch)	Hook size	Dimensions (inch)									Weight (lbs)
				øD1	øD2	B	O	TA	TL	L	T	øZ	
SRB 225.xx.1.12,5.E	13.7	3/8 - 9/16	5	10.2	8.9	20.6	2.5	13.6	31.4	35.9	TBD	TBD	165
SRB 260.xx.1.12,5.E	13.7	7/16 - 5/8	5	11.8	10.2	21.6	2.5	15.7	32.8	37.3	TBD	TBD	240
SRB 225.xx.1.16.E	17.6	3/8 - 9/16	6	10.2	8.9	21.6	2.5	13.6	32.4	36.9	TBD	TBD	220
SRB 260.xx.1.16.E	17.6	7/16 - 5/8	6	11.8	10.2	21.6	2.5	15.7	32.8	37.3	TBD	TBD	240
SRB 285.xx.1.16.E	17.6	1/2 - 3/4	6	12.6	11	23.9	2.8	16.5	35.7	40.7	TBD	TBD	350
SRB 320.xx.1.16.E	17.6	9/16 - 3/4	6	14.4	12.6	24.7	2.8	17.7	37.4	42.6	TBD	TBD	350
SRB 355.xx.1.16.E	17.6	9/16 - 7/8	6	16.1	14	26.3	2.8	19.7	39.9	44.8	TBD	TBD	400
SRB 320.xx.1.20.E	22	9/16 - 3/4	8	14.4	12.6	27.1	3.1	17.7	39.8	45.4	TBD	TBD	350
SRB 355.xx.1.20.E	22	9/16 - 7/8	8	16.1	14	28.1	3.1	19.7	41.5	47.4	TBD	TBD	550
SRB 450.xx.1.25.E	27.5	3/4 - 1 1/8	8	20.3	17.7	30.3	3.1	23.6	46.8	52.9	TBD	TBD	435
SRB 528.xx.1.28.E	30	7/8 - 1 1/4	8	23.5	20.8	33	3.1	27.9	52	58.6	TBD	TBD	600
SRB 400.xx.1.29.E	32	5/8 - 1	8	18.1	15.7	29.3	3.1	22.4	44.4	50.1	TBD	TBD	640
SRB 450.xx.1.32.E	35	3/4 - 1 1/8	10	20.3	17.7	32.8	3.5	23.6	49.4	56	TBD	TBD	1000 1100
SRB 528.xx.1.32.E	35	7/8 - 1 1/4	10	23.5	20.8	35.4	3.5	28	53.6	60.2	TBD	TBD	1100 1400 2000
SRB 450.xx.1.40.E	45	3/4 - 1 1/8	12	20.3	17.7	42.3	3.9	23.6	58.5	65.6	TBD	TBD	1300
SRB 450.xx.1.50.E	55	3/4 - 1 1/8	12	20.3	17.7	36.1	3.9	23.8	52.7	59.7	TBD	TBD	1300
SRB 528.xx.1.50.E	55	7/8 - 1 1/4	12	23.5	20.8	36.8	3.9	28	55.6	63.1	TBD	TBD	1650
SRB 575.xx.1.50.E	55	1 5/16 - 1 1/4	12	25.6	22.6	37.7	3.9	30.3	57.4	65.4	TBD	TBD	2045
SRB 630.xx.1.64.E	70	1 - 1 3/8	16	28.3	24.8	38.8	4.4	32.5	59.9	68	TBD	TBD	2200
SRB 670.xx.1.64.E	70	1 - 1 1/2	16	29.9	26.4	46.2	4.4	34.3	68.4	76.6	TBD	TBD	3000

Minimum Ultimate Strength = 4 x WLL

xx = to be replaced by metric wire size in final part number; TBD = these dimensions vary with wire size;

* blocks can be fitted with removable / interchangeable cheek weights

- The dimensions in this table are indicative only. A drawing will always be submitted prior to production and will be the leading document when discussing dimensions.
- Blocks shown here are standard models; inquiries for custom versions are welcome.
- Refer to wire rope manufacturers D/d ratio guideline.
- Hook locking pin included on all blocks 45UStons and higher.



SEE OUR WARNING & SAFETY INFORMATION ON PAGES 136 - 149

