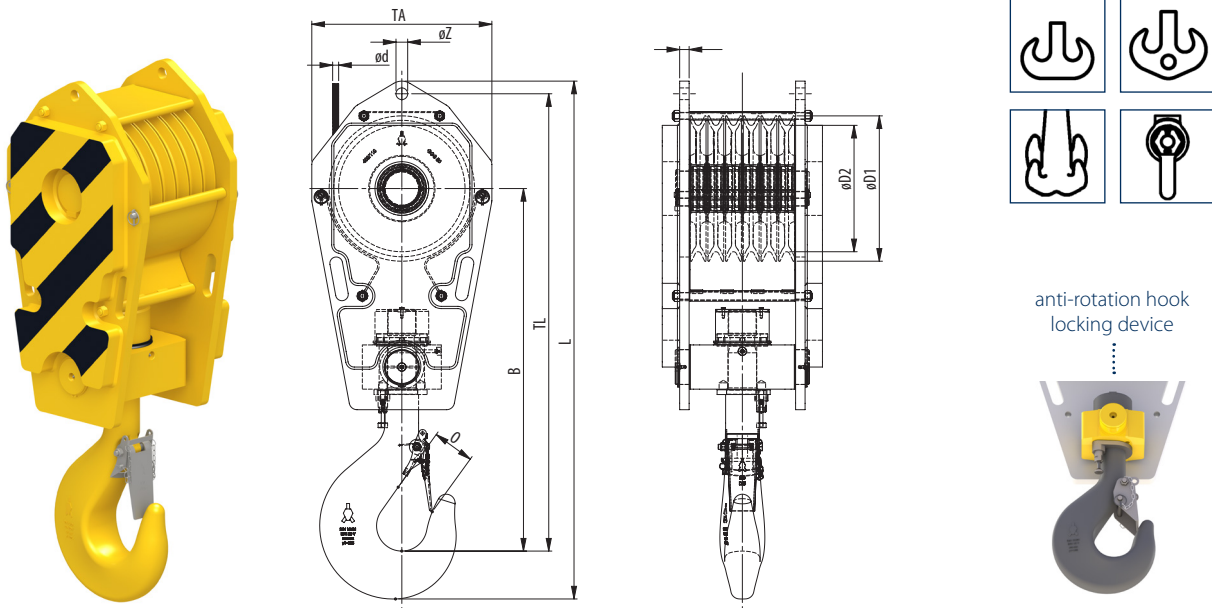


FAST REEVE CRANE BLOCKS

6 SHEAVES

CRANE BLOCKS



Model No.	WLL (UStons)	For wire ød (inch)	Hook size	Dimensions (inch)									Weight (lbs)
				øD1	øD2	B	O	TA	TL	L	T	øZ	
FRB 355.xx.6.55.E	55	5/16 - 7/8	12	16.1	14	35.8	3.9	19.7	46	52.4	TBD	TBD	1496
FRB 360.xx.6.64.E	70	5/8 - 7/8	16	16.5	14.2	38.3	4.4	20.1	48.9	50.3	TBD	TBD	1495
FRB 400.xx.6.64.E	70	5/8 - 1	16	18.1	15.7	41.9	4.4	22.4	53.7	60.5	TBD	TBD	1700
FRB 400.xx.6.82.E	90	5/8 - 1	20	18.1	15.7	45.2	4.9	22.4	57	62.9	TBD	TBD	1800
FRB 450.xx.6.82.E	90	3/4 - 1 1/8	20	20.3	17.7	46.7	4.9	23.6	62.2	68.1	TBD	TBD	2000
FRB 400.xx.6.91.E	100	5/8 - 1	20	18.1	15.7	44.6	4.9	22.4	56.4	64	TBD	TBD	1750 1800 2200
FRB 450.xx.6.100.E	110	3/4 - 1 1/8	25	20.3	17.7	49.7	5.5	23.6	62.9	69.6	TBD	TBD	2500
FRB 528.xx.6.100.E	110	7/8 - 1 1/4	25	23.4	20.8	50.1	5.5	28	64.9	73.4	TBD	TBD	2500
FRB 450.xx.6.120.E	132	3/4 - 1 1/8	25	20.3	17.7	47.9	5.5	22.4	59.8	68.1	TBD	TBD	2200
FRB 528.xx.6.137.E	150	7/8 - 1 1/4	32	23.4	20.8	52.5	6.3	28	67.8	77.8	TBD	TBD	3500
FRB 528.xx.6.150.E	165	7/8 - 1 1/4	40	23.5	20.8	61.1	7.1	28	79.5	87.9	TBD	TBD	4000
FRB 528.xx.6.160.E	176	7/8 - 1 1/4	40	23.5	20.8	62.2	7.1	28	77.8	86.1	TBD	TBD	4500 5000
FRB 528.xx.6.182.E	200	7/8 - 1 1/4	40	23.5	20.8	63	7.1	28	79.5	87.9	TBD	TBD	4500
FRB 575.xx.6.182.E	200	1 5/16 - 1 1/4	40	25.6	22.6	61.1	7.1	30.3	77.4	88.4	TBD	TBD	4500 5500
FRB 670.xx.6.182.E	200	1 - 1 1/2	40	29.9	26.4	61.7	7.1	34.3	80.2	90.2	TBD	TBD	5500
FRB 528.xx.6.200.E	220	7/8 - 1 1/4	50	23.5	20.8	63	7.9	28	79.5	87.9	TBD	TBD	5500
FRB 575.xx.6.209.E	230	1 5/16 - 1 1/4	50	25.6	22.6	65.4	7.9	30.3	81.9	91.2	TBD	TBD	6500

Minimum Ultimate Strength = 4 x WLL

- The dimensions in this table are indicative only. A drawing will always be submitted prior to production and will be the leading document when discussing dimensions.
- Blocks shown here are standard models; inquiries for custom versions are welcome.
- Refer to wire rope manufacturers D/d ratio guideline.
- Optional: Hook locking pin.



SEE OUR WARNING & SAFETY INFORMATION ON PAGES 136 - 149

SEE OUR WARNING AND SAFETY INFORMATION ON PAGE 136

