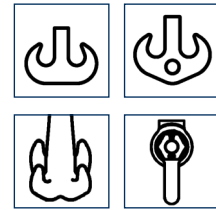
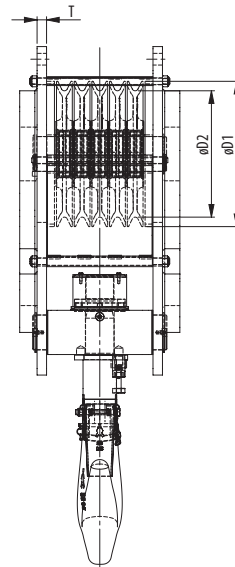
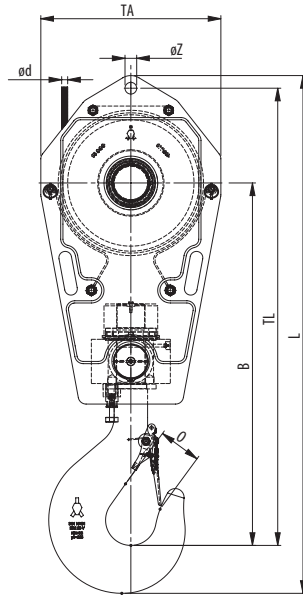


# FAST REEVE CRANE BLOCKS >>

5 SHEAVES

CRANE BLOCKS



anti-rotation hook locking device



Model No.	WLL (UStons)	For wire ød (inch)	Hook size	Dimensions (inch)									Weight (lbs)
				øD1	øD2	B	O	TA	TL	L	T	øZ	
FRB 355.xx.5.50.E	55	5/16 - 7/8	12	16.1	14	37.8	3.9	19.7	48.2	54.3	TBD	TBD	840
FRB 355.xx.5.55.E	60	5/16 - 7/8	12	16.1	14	37.8	3.9	19.7	48.2	52.8	TBD	TBD	1100   1280
FRB 360.xx.5.64.E	70	5/8 - 7/8	16	16.5	14.2	39.3	4.4	20.1	49.9	56.8	TBD	TBD	1340   1550
FRB 400.xx.5.68.E	75	5/8 - 1	16	18.1	15.7	40.2	4.4	22.4	51.8	58.6	TBD	TBD	1470   1720
FRB 360.xx.5.70.E	77	5/8 - 7/8	16	16.5	14.2	39.3	4.4	20.1	49.9	56.8	TBD	TBD	1340   1550
FRB 400.xx.5.70.E	77	5/8 - 1	16	18.1	15.7	39.8	4.4	22.4	51.4	58.4	TBD	TBD	1340
FRB 360.xx.5.72.E	80	5/8 - 7/8	16	16.5	14.2	39.6	4.4	20.1	50.2	57.1	TBD	TBD	1340   1550
FRB 400.xx.5.82.E	90	5/8 - 1	20	18.1	15.7	45.2	4.9	22.4	57	62.9	TBD	TBD	1477   1540   1600   1800
FRB 400.xx.5.91.E	100	5/8 - 1	20	18.1	15.7	45.2	4.9	22.4	57	65.2	TBD	TBD	2250
FRB 450.xx.5.91.E	100	3/4 - 1 1/8	20	20.3	17.7	46.7	4.9	23.6	59.9	67.9	TBD	TBD	2250
FRB 400.xx.5.95.E	105	5/8 - 1	20	18.1	15.7	40.7	4.9	22.4	53.1	59.9	TBD	TBD	2250   2870
FRB 400.xx.5.100.E	110	5/8 - 1	20	18.1	15.7	40.7	4.9	22.4	53.1	59.9	TBD	TBD	2250
FRB 450.xx.5.100.E	110	3/4 - 1 1/8	25	20.3	17.7	49.7	5.5	23.6	62.9	69.6	TBD	TBD	1900   2200   2250   2510
FRB 528.xx.5.100.E	110	7/8 - 1 1/4	25	23.4	20.8	49.9	5.5	28	65.9	74.6	TBD	TBD	2500   2800
FRB 528.xx.5.100.E	110	7/8 - 1 1/4	25	23.4	20.8	50.9	5.5	31.1	66	75.1	TBD	TBD	2860   3960   5060*
FRB 575.xx.5.100.D	110	1 1/16 - 1 1/4	25	25.6	22.6	33.7	5.5	30.3	70.2	78.4	TBD	TBD	2860   3960   5060*
FRB 528.xx.5.119.E	130	7/8 - 1 1/4	25	23.4	20.8	52.1	5.5	27.9	67.6	76.6	TBD	TBD	3300
FRB 450.xx.5.125.D	137.5	3/4 - 1 1/8	32	20.3	17.7	50.7	6.3	23.6	63.7	72.1	TBD	TBD	3630

Minimum Ultimate Strength = 4 x WLL

xx = to be replaced by metric wire size in final part number; TBD = these dimensions vary with wire size;  
 \* blocks can be fitted with removable / interchangeable cheek weights

- The dimensions in this table are indicative only. A drawing will always be submitted prior to production and will be the leading document when discussing dimensions.
- Blocks shown here are standard models; inquiries for custom versions are welcome.
- Refer to wire rope manufacturers D/d ratio guideline.
- Hook locking pin included on all blocks 45UStons and higher.



SEE OUR WARNING & SAFETY INFORMATION ON PAGES 136 - 149

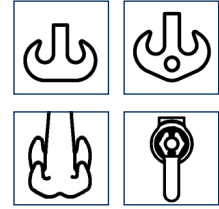
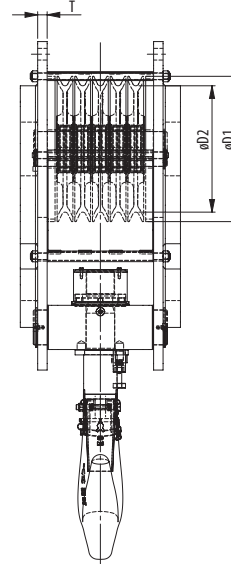
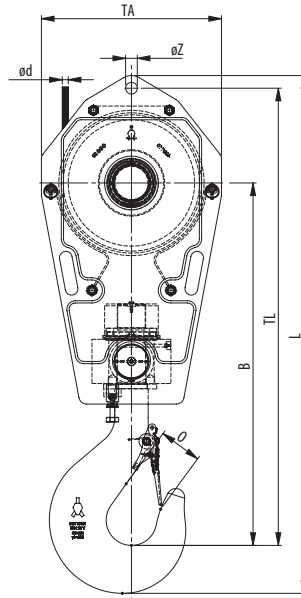


SEE OUR WARNING AND SAFETY INFORMATION ON PAGE 136



<< FAST REEVE CRANE BLOCKS

5 SHEAVES



anti-rotation hook locking device



Model No.	WLL (UStons)	For wire ød (inch)	Hook size	Dimensions (inch)									Weight (lbs)
				øD1	øD2	B	O	TA	TL	L	T	øZ	
FRB 528.xx.5.125.E	137.5	7/8 - 1¼	32	23.4	20.8	52.5	6.3	28	67.8	75.3	TBD	TBD	3500   3960
FRB 528.xx.5.129,2.E	142	7/8 - 1¼	32	23.4	20.8	56.8	6.3	27.9	71.8	81.6	TBD	TBD	5060
FRB 450.xx.5.137.D	150	¾ - 1½	32	20.3	17.7	50.8	6.3	23.6	64.6	72	TBD	TBD	3630
FRB 528.xx.5.137.E	150	7/8 - 1¼	32	23.4	20.8	54.4	6.3	28	69.8	79.7	TBD	TBD	3500
FRB 670.xx.5.137.D	150	1 - 1½	32	29.9	26.4	56.6	6.3	34.3	75.7	85.3	TBD	TBD	6000*
FRB 630.xx.5.150.E	165	1 - 1¾	32	27.9	24.8	58.8	6.3	32.7	77.9	85.4	TBD	TBD	4600   6100*
FRB 528.xx.5.160.E	176	7/8 - 1¼	40	23.4	20.8	59.1	7.1	28	77.9	86.3	TBD	TBD	4000   4500
FRB 575.xx.5.160.E	176	15/16 - 1¼	40	25.6	22.6	62.6	7.1	30.3	79.2	87.5	TBD	TBD	5500
FRB 630.xx.5.160.D	176	1 - 1¾	40	27.9	24.8	57.6	7.1	32.7	75.3	85.4	TBD	TBD	5500
FRB 670.xx.5.160.E	176	1 - 1½	40	29.9	26.4	62.6	7.1	34.3	81.1	92	TBD	TBD	6000*
FRB 528.xx.5.182.D	200	7/8 - 1¼	40	23.4	20.8	58.1	7.1	27.9	73.4	86.5	TBD	TBD	3860
FRB 575.xx.5.182.D	200	15/16 - 1¼	40	25.6	22.6	62.6	7.1	30.3	79.2	90.2	TBD	TBD	5500
FRB 630.xx.5.182.E	200	1 - 1¾	40	27.9	24.8	62.3	7.1	32.7	79.4	89.8	TBD	TBD	5500   7500
FRB 670.xx.5.182.D	200	1 - 1½	40	29.9	26.4	67.6	7.1	34.3	86.9	96.1	TBD	TBD	6000*
FRB 630.xx.5.200.D	220	1 - 1¾	50	27.9	24.8	63.9	7.9	35.4	86.1	96.8	TBD	TBD	5000 up to 15400*

Minimum Ultimate Strength = 4 x WLL

xx = to be replaced by metric wire size in final part number; TBD = these dimensions vary with wire size;

\* blocks can be fitted with removable / interchangeable cheek weights

- The dimensions in this table are indicative only. A drawing will always be submitted prior to production and will be the leading document when discussing dimensions.
- Blocks shown here are standard models; inquiries for custom versions are welcome.
- Refer to wire rope manufacturers D/d ratio guideline.
- Hook locking pin included on all blocks 45UStons and higher.



SEE OUR WARNING & SAFETY INFORMATION ON PAGES 136 - 149

