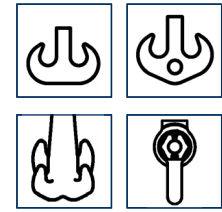
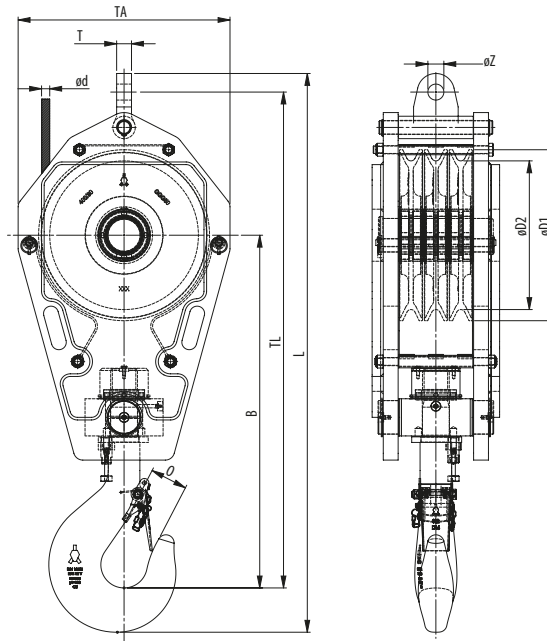


FAST REEVE CRANE BLOCKS >>

3 SHEAVES



anti-rotation hook locking device



Model No.	WLL (USTons)	For wire ød (inch)	Hook size	Dimensions (inch)									Weight (lbs)
				øD1	øD2	B	O	TA	TL	L	T	øZ	
FRB 225.xx.3.20.E	22	3/8 - 1/16	8	10.2	8.9	28.3	3.1	13.6	39.1	44.4	TBD	TBD	410
FRB 260.xx.3.20.E	22	7/16 - 5/8	8	11.8	10.2	28.5	3.1	15.7	40.1	45.4	TBD	TBD	410
FRB 260.xx.3.25.E	27.5	7/16 - 5/8	8	11.8	10.2	27.5	3.1	15.7	39.1	44.4	TBD	TBD	465
FRB 285.xx.3.29.E	32	1/2 - 3/4	8	12.6	11	27.7	3.5	16.5	39.9	45.2	TBD	TBD	460
FRB 320.xx.3.29.E	32	9/16 - 3/4	8	14.4	12.6	30	3.1	17.7	43.1	48.5	TBD	TBD	505
FRB 260.xx.3.32.E	35	7/16 - 5/8	10	11.8	10.2	28.9	3.5	15.7	40.5	46.3	TBD	TBD	465 585
FRB 285.xx.3.32.E	35	1/2 - 3/4	10	12.6	11	30	3.5	16.5	42.2	48	TBD	TBD	460 505
FRB 320.xx.3.32.E	35	9/16 - 3/4	10	14.4	12.6	32.2	3.5	17.7	45.3	51.1	TBD	TBD	505 625
FRB 320.xx.3.37.E	40	9/16 - 3/4	10	14.4	12.6	32.2	3.5	17.7	45.3	51.1	TBD	TBD	600 700
FRB 355.xx.3.37.E	40	9/16 - 7/8	10	16.1	14	34	3.5	19.7	48	53.7	TBD	TBD	700 825
FRB 360.xx.3.41.E	45	5/8 - 7/8	12	16.5	14.2	35.4	3.9	20.1	49.3	55.8	TBD	TBD	900
FRB 360.xx.3.46.E	50	5/8 - 7/8	12	16.5	14.2	35.4	3.9	20.1	49.3	55.8	TBD	TBD	900
FRB 400.xx.3.46.E	50	5/8 - 1	12	18.1	15.7	37.3	3.9	22.4	52.1	58.6	TBD	TBD	1000
FRB 360.xx.3.50.E	55	5/8 - 7/8	12	16.5	14.2	35.4	3.9	20.1	49.4	56.3	TBD	TBD	900 1200
FRB 400.xx.3.50.E	55	5/8 - 1	12	18.1	15.7	37.4	3.9	22.4	52.1	59.1	TBD	TBD	1100 1200 1350
FRB 360.xx.3.55.E	60	5/8 - 7/8	12	16.5	14.2	35.4	3.9	20.1	49.3	55.8	TBD	TBD	900 1200
FRB 400.xx.3.55.E	60	5/8 - 1	12	18.1	15.7	37.4	3.9	22.4	52.1	59.1	TBD	TBD	1100 1200 1350

Minimum Ultimate Strength = 4 x WLL

xx = to be replaced by metric wire size in final part number; TBD = these dimensions vary with wire size;

* blocks can be fitted with removable / interchangeable cheek weights

- The dimensions in this table are indicative only. A drawing will always be submitted prior to production and will be the leading document when discussing dimensions.
- Blocks shown here are standard models; inquiries for custom versions are welcome.
- Refer to wire rope manufacturers D/d ratio guideline.
- Hook locking pin included on all blocks 45USTons and higher.



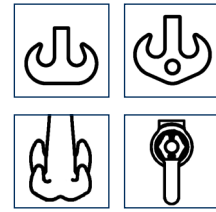
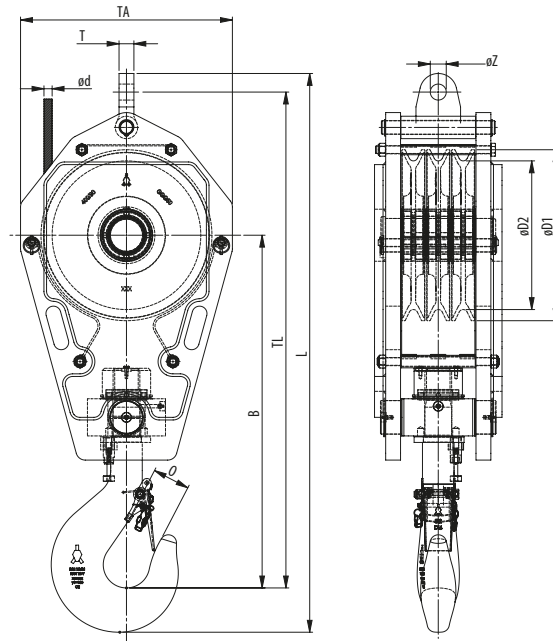
SEE OUR WARNING & SAFETY INFORMATION ON PAGES 136 - 149



<< FAST REEVE CRANE BLOCKS

3 SHEAVES

CRANE BLOCKS



anti-rotation hook locking device



Model No.	WLL (USTons)	For wire ød (inch)	Hook size	Dimensions (inch)									Weight (lbs)
				øD1	øD2	B	O	TA	TL	L	T	øZ	
FRB 528.xx.3.55.E	60	7/8 - 1¼	12	23.4	20.8	43.8	3.9	27.9	62.1	69.1	TBD	TBD	2300
FRB 400.xx.3.63.E	69	5/8 - 1	16	18.1	15.7	37.4	4.4	22.4	52.1	59.1	TBD	TBD	1350 2000 2100
FRB 400.xx.3.64.E	70	5/8 - 1	16	18.1	15.7	37.4	4.4	22.4	52.1	59.1	TBD	TBD	1600
FRB 450.xx.3.64.E	70	¾ - 1½	16	20.3	17.7	40.9	4.4	23.6	57.2	64.8	TBD	TBD	1500 1700
FRB 450.xx.3.70.E	77	¾ - 1½	16	20.3	17.7	41.1	4.4	23.6	57.4	64.6	TBD	TBD	1500 1700 1800
FRB 528.xx.3.70.E	77	7/8 - 1¼	16	23.4	20.8	47.6	4.4	28	65.9	73.5	TBD	TBD	2350
FRB 450.xx.3.82.E	90	¾ - 1½	20	20.3	17.7	46.5	4.9	23.6	62.8	70.7	TBD	TBD	1800 2200
FRB 528.xx.3.82.E	90	7/8 - 1¼	20	23.4	20.8	50.1	4.9	28	68.3	76.6	TBD	TBD	2500 2800
FRB 630.xx.3.82.E	90	1 - 1¾	20	27.9	24.8	53.7	4.9	32.7	74.1	82.1	TBD	TBD	3600
FRB 528.xx.3.100.E	110	7/8 - 1¼	20	23.4	20.8	50.1	4.9	28	68.3	76.6	TBD	TBD	2500 2800
FRB 528.xx.3.100.E	110	7/8 - 1¼	25	23.4	20.8	53.7	5.5	28	71.9	80.9	TBD	TBD	2860 3000
FRB 575.xx.3.100.E	110	1½ - 1¼	25	25.6	22.6	51.3	5.5	30.3	71.2	80.6	TBD	TBD	3000
FRB 575.xx.3.100.E	110	1½ - 1¼	25	25.6	22.6	51.3	5.5	30.3	71.2	80.6	TBD	TBD	2425 4520 6620*
FRB 630.xx.3.100.E	110	1 - 1¾	25	27.9	24.8	53.3	5.5	32.7	74.4	83.9	TBD	TBD	2425 4520 6620*
FRB 630.xx.3.100.E	110	1 - 1¾	25	27.9	24.8	53.3	5.5	32.7	74.4	83.9	TBD	TBD	3500 5950
FRB 670.xx.3.100.E	110	1 - 1½	25	29.9	26.4	55.2	5.5	34.3	77.5	87	TBD	TBD	4000 14000*
FRB 630.xx.3.125.E	137,5	1 - 1¾	25	27.9	24.8	55.4	5.5	35.4	77.7	88	TBD	TBD	3300 12100*
FRB 670.xx.3.137.E	150	1 - 1½	25	29.9	26.4	54.6	5.5	34.3	73.8	83.2	TBD	TBD	8100 16000*

Minimum Ultimate Strength = 4 x WLL

xx = to be replaced by metric wire size in final part number; TBD = these dimensions vary with wire size;

* blocks can be fitted with removable / interchangeable cheek weights

- The dimensions in this table are indicative only. A drawing will always be submitted prior to production and will be the leading document when discussing dimensions.
- Blocks shown here are standard models; inquiries for custom versions are welcome.
- Refer to wire rope manufacturers D/d ratio guideline.
- Hook locking pin included on all blocks 45USTons and higher.



SEE OUR WARNING & SAFETY INFORMATION ON PAGES 136 - 149

SEE OUR WARNING AND SAFETY INFORMATION ON PAGE 136

