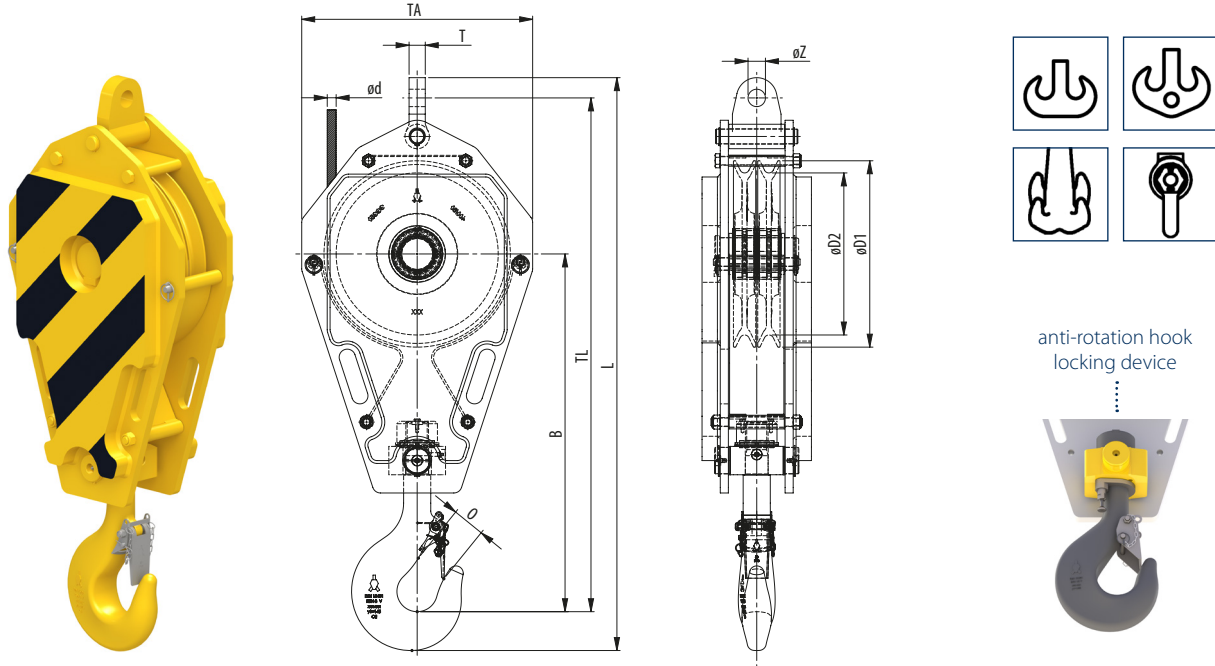


# FAST REEVE CRANE BLOCKS

2 SHEAVES

CRANE BLOCKS



Model No.	WLL (UStons)	For wire ød (inch)	Hook size	Dimensions (inch)									Weight (lbs)
				øD1	øD2	B	O	TA	TL	L	T	øZ	
FRB 225.xx.2.16.E	17.6	3/8 - 9/16	6	10.2	8.9	23.9	2.8	13.6	34.8	39.7	TBD	TBD	265
FRB 260.xx.2.16.E	17.6	7/16 - 5/8	6	11.8	10.2	27.3	2.8	15.7	38.5	43.4	TBD	TBD	285   350
FRB 225.xx.2.20.E	22	3/8 - 9/16	8	10.2	8.9	28.3	3.1	13.6	37.7	43.1	TBD	TBD	285
FRB 260.xx.2.20.E	22	7/16 - 5/8	8	11.8	10.2	29.4	3.1	15.7	40.7	46	TBD	TBD	285   350   425
FRB 260.xx.2.25.E	27.5	7/16 - 5/8	8	11.8	10.2	29.3	3.1	15.7	40.5	45.6	TBD	TBD	350   425
FRB 320.xx.2.25.E	27.5	9/16 - 3/4	8	14.4	12.6	30	3.1	17.7	43.1	48.5	TBD	TBD	450   495
FRB 320.xx.2.29.E	32	9/16 - 3/4	8	14.4	12.6	30.1	3.1	17.3	43.1	48.5	TBD	TBD	600
FRB 355.xx.2.29.E	32	9/16 - 7/8	8	16.1	14	33.4	3.1	19.7	47	52.5	TBD	TBD	585   625   750
FRB 400.xx.2.32.E	35	5/8 - 1	10	18.1	15.7	37.5	3.5	22.4	52.7	58.9	TBD	TBD	800
FRB 450.xx.2.32.E	35	3/4 - 1 1/8	10	20.3	17.7	39.5	3.5	23.6	55.7	61.9	TBD	TBD	1100
FRB 450.xx.2.46.E	50	3/4 - 1 1/8	12	20.3	17.7	42.2	3.9	23.6	58.5	65.2	TBD	TBD	1200   1500
FRB 450.xx.2.55.E	60	3/4 - 1 1/8	16	20.3	17.7	42.3	4.4	23.6	58.9	66.5	TBD	TBD	1600
FRB 528.xx.2.55.E	60	7/8 - 1 1/4	12	23.4	20.8	43.8	3.9	27.9	62.6	70.1	TBD	TBD	2000
FRB 670.xx.2.55.E	60	1 - 1 1/2	12	29.9	26.4	44.2	3.9	34.3	67	74.1	TBD	TBD	2080
FRB 528.xx.2.70.E	77	7/8 - 1 1/4	16	23.4	20.8	47.3	4.4	28	65.2	72.8	TBD	TBD	2200
FRB 670.xx.2.82.E	90	1 - 1 1/2	20	29.9	26.4	50.7	4.9	34.3	74.7	83.6	TBD	TBD	3400

Minimum Ultimate Strength = 4 x WLL

xx = to be replaced by metric wire size in final part number; TBD = these dimensions vary with wire size;  
 \* blocks can be fitted with removable / interchangeable cheek weights

- The dimensions in this table are indicative only. A drawing will always be submitted prior to production and will be the leading document when discussing dimensions.
- Blocks shown here are standard models; inquiries for custom versions are welcome.
- Refer to wire rope manufacturers D/d ratio guideline.
- Hook locking pin included on all blocks 45UStons and higher.



SEE OUR WARNING & SAFETY INFORMATION ON PAGES 136 - 149

SEE OUR WARNING AND SAFETY INFORMATION ON PAGE 136

