

SEALINK[®]

Quality Rigging Products

561 Series Cargo Hoisting Blocks

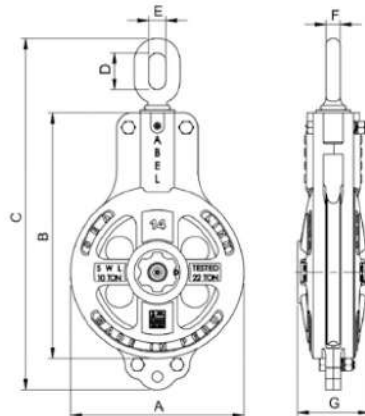


8125 Saran Dr. • Playa del Rey, CA 90293 • Phone: 310.448.5444 • Fax: 310.448.5446
sales@awrrinc.com • www.AssociatedWireRope.com





Swivel Eye (SE)

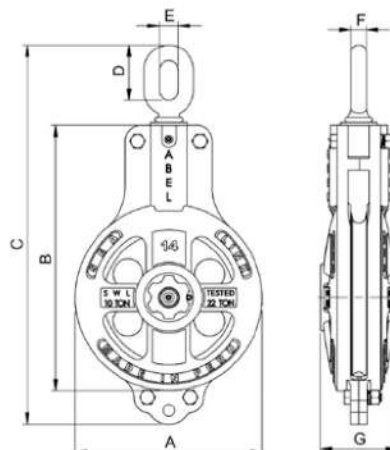


DSS-Swivel Eye with Safety Anchor Shackle

Model Nr.	WLL Lbs	Wire Rope	Sheave	Dimensions						Weight (Lbs)
		ØR	ØS	A	B	C	ØD	E	F	
SL561R-12DS	11000	5/8 - 3/4	12	13.1	17.6	24.8	1.5	1.7	5.5	100
SL561R-14DS	22000	3/4 - 7/8	14	15.2	21.6	29.3	1.6	2.0	6.3	138
SL561R-16DS	22000	7/8 - 1	16	17.1	23.4	31.5	1.7	2.1	6.3	150



Oblong Swivel Eye (OS)



OSS-Oblong Swivel Eye w/Upset Safety Anchor Shackle

Model Nr.	WLL Lbs	Wire Rope	Sheave	Dimensions							Weight (Lbs)
		ØR	ØS	A	B	C	D	E	F	G	
SL561R-12OS	11000	5/8 - 3/4	12	13.1	17.6	26.4	3.2	1.5	1.1	5.5	100
SL561R-14OS	22000	3/4 - 7/8	14	15.2	21.6	30.8	3.2	1.5	1.3	6.3	138
SL561R-16OS	22000	7/8 - 1	16	17.1	23.4	33.8	3.8	1.8	1.4	6.3	150

- Blocks built to 4:1 Design Factor.
- Includes Timken Tapered Roller Bearings.
- Top Fittings Available - Swivel Eye (DS), Oblong Swivel Eye (OS), plus optional as listed.
- All accessories are forged.
- Dimensions shown represent current models and are subject to change.
- Blocks shown are standard models.
- Custom models available upon request.

See our warnings & application instructions