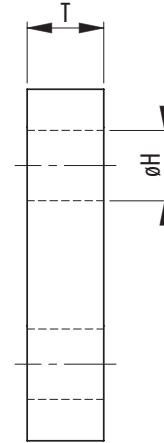
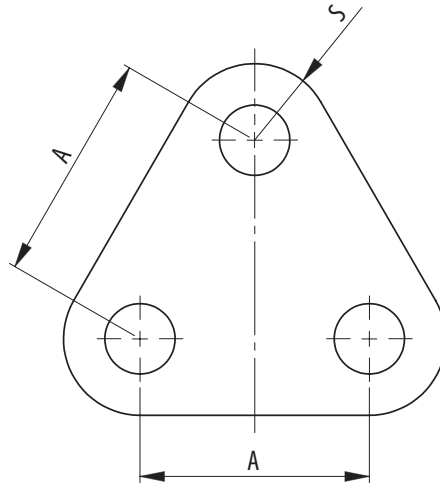
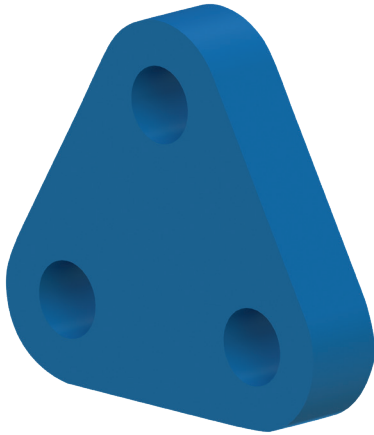


## TRIANGLE PLATES

NEN 3561 / DIN 82015



Model No.	WLL (UStons)	MBL (UStons)	Dimensions (inch)				Weight (lbs)
			A	ØH	T	S	
TP 25.23.2	2.2	11	2.95	0.91	0.98	0.98	3.7
TP 30.30.3	3.3	16.5	3.54	1.18	1.18	1.18	6.4
TP 35.39.5	5.5	27.6	4.53	1.54	1.38	1.57	13
TP 45.48.8	8.8	44.1	5.51	1.89	1.77	1.97	24
TP 50.52.10	11	55.1	5.71	2.05	1.97	2.17	31

Minimum Ultimate Strength = 5 x WLL

- Other sizes possible.
- Painted blue (RAL 5017).
- Material certificate according EN 10204 3.1 included.



SEE OUR WARNING &  
SAFETY INFORMATION