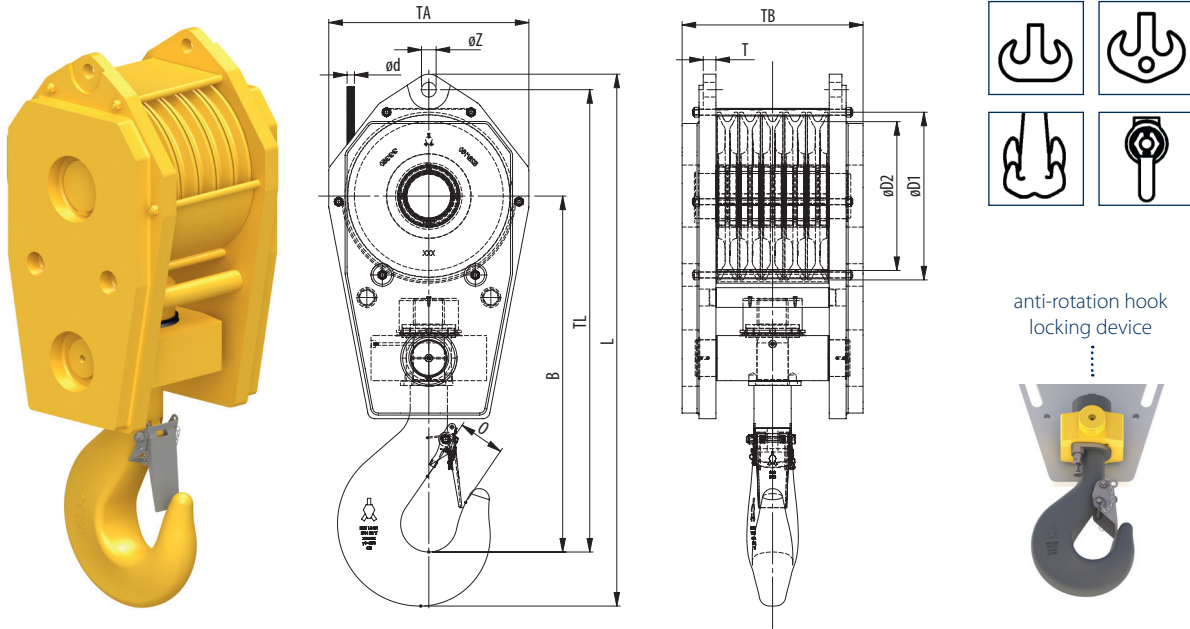


STANDARD REEVE CRANE BLOCKS

5 SHEAVES



Model No.	WLL (USTons)	For wire ød (inch)	Hook size	Dimensions (inch)									Weight (lbs)
				øD1	øD2	B	O	TA	TL	L	T	øZ	
SRB 355.xx.5.55.E	60	5/16 - 7/8	12	16.1	14	33	4.4	19.7	44.6	51.4	TBD	TBD	1100
SRB 360.xx.5.64.E	70	5/8 - 7/8	16	16.1	14.2	39.1	4.4	19.7	47.2	54.1	TBD	TBD	1320
SRB 528.xx.5.70.E	77	7/8 - 1 1/4	16	23.4	20.8	40.8	4.4	27.9	55.7	63.1	TBD	TBD	2800
SRB 400.xx.5.73.E	80	5/8 - 1	16	18.1	15.7	37.6	4.4	22.4	49.6	56.7	TBD	TBD	1650
SRB 360.xx.5.80.E	88	5/8 - 7/8	20	16.1	14.2	39.1	4.9	19.7	50.5	58.1	TBD	TBD	1805
SRB 400.xx.5.82.E	90	5/8 - 1	20	18.1	15.7	40.7	4.9	22.4	53.7	61.6	TBD	TBD	1800
SRB 450.xx.5.82.E	90	3/4 - 1 1/8	20	20.3	17.7	42.2	4.9	23.6	56.3	64.2	TBD	TBD	2250
SRB 450.xx.5.100.E	110	3/4 - 1 1/8	25	20.3	17.7	44.4	5.5	23.6	58.5	67.6	TBD	TBD	2500
SRB 528.xx.5.125.E	137.5	7/8 - 1 1/4	32	23.4	20.8	49.7	6.3	28	66.8	76.6	TBD	TBD	3500
SRB 528.xx.5.137,5.E	150	7/8 - 1 1/4	32	23.4	20.8	52.5	6.3	28	50.1	77.8	TBD	TBD	3500
SRB 528.xx.5.160.E	176	7/8 - 1 1/4	40	23.4	20.8	55.4	7.1	28	70.7	81.8	TBD	TBD	3640
FRB 670.xx.5.200.E	220	1 - 1 3/8	50	29.9	26.4	64.6	7.9	34.3	83.9	95.9	TBD	TBD	7830

Minimum Ultimate Strength = 4 x WLL

- The dimensions in this table are indicative only. A drawing will always be submitted prior to production and will be the leading document when discussing dimensions.
- Blocks shown here are standard models; inquiries for custom versions are welcome.
- Refer to wire rope manufacturers D/d ratio guideline.
- Optional: Hook locking pin.



SEE OUR WARNING & SAFETY INFORMATION