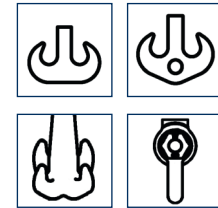
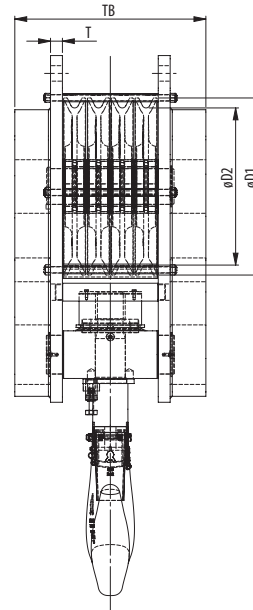
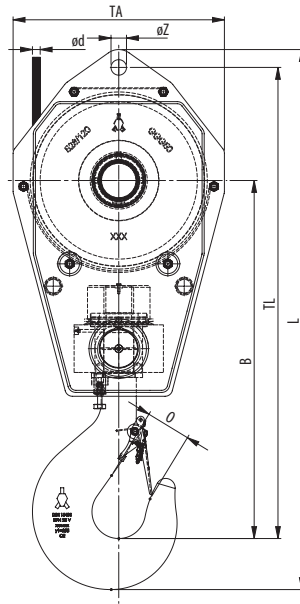
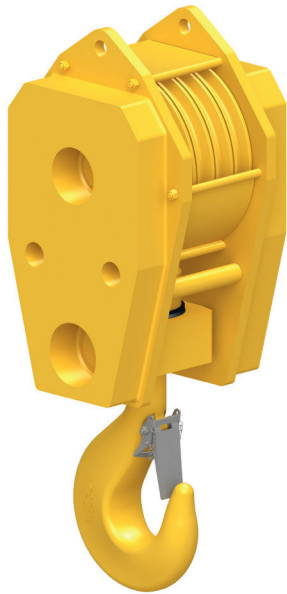


## STANDARD REEVE CRANE BLOCKS

## 4 SHEAVES



anti-rotation hook locking device



Model No.	WLL (UStons)	For wire ød (inch)	Hook size	Dimensions (inch)									Weight (lbs)
				øD1	øD2	B	O	TA	TL	L	T	øZ	
SRB 285.xx.4.35.E	38.5	½ - ¾	10	12.8	11.2	26	3.5	15.7	36.2	40.4	TBD	TBD	570
SRB 355.xx.4.50.E	55	⅝ - ⅞	12	16.1	14	33	3.9	19.7	43.9	50.8	TBD	TBD	1045
SRB 528.xx.4.55.E	60	⅞ - 1¼	12	23.5	20.8	38.5	3.9	28	53.5	60.6	TBD	TBD	2600
SRB 400.xx.4.64.E	70	⅝ - 1	16	18.1	15.7	35.6	4.4	22.4	47.2	54.4	TBD	TBD	1155
SRB 450.xx.4.64.E	70	¾ - 1⅝	16	20.3	17.7	38	4.4	23.6	52	59.2	TBD	TBD	1595
SRB 528.xx.4.70.E	77	⅞ - 1¼	16	23.5	20.8	40.4	4.4	28	55.3	63	TBD	TBD	3850
SRB 450.xx.4.82.E	90	¾ - 1⅝	20	20.3	17.7	41.2	4.9	23.6	51.6	59.8	TBD	TBD	2110
SRB 450.xx.4.82.E	90	¾ - 1⅝	20	20.3	17.7	41.2	4.9	23.6	51.6	59.8	TBD	TBD	2110
SRB 528.xx.4.105.E	115	⅞ - 1¼	25	23.4	20.8	48.1	5.5	28	62.7	71.8	TBD	TBD	3900
SRB 710.xx.4.105.E	115	1⅝ - 1½	25	31.5	28	53.3	5.5	35.4	73.9	84.4	TBD	TBD	3000
SRB 450.xx.4.108.E	120	¾ - 1⅝	25	20.3	17.7	46.8	5.5	23.6	60.2	68.9	TBD	TBD	3200
SRB 670.xx.4.160.E	176	1 - 1⅝	40	29.9	26.4	60.7	7.1	34.3	82.9	94	TBD	TBD	6930

Minimum Ultimate Strength = 4 x WLL

- The dimensions in this table are indicative only. A drawing will always be submitted prior to production and will be the leading document when discussing dimensions.
- Blocks shown here are standard models; inquiries for custom versions are welcome.
- Refer to wire rope manufacturers D/d ratio guideline.
- Optional: Hook locking pin.



**SEE OUR WARNING & SAFETY INFORMATION**