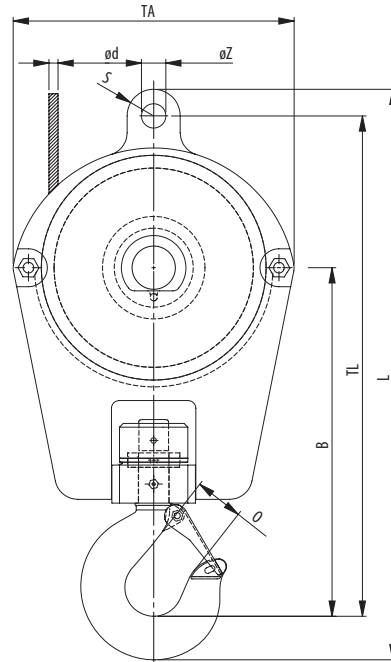
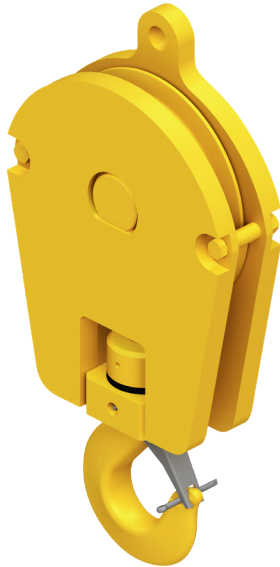
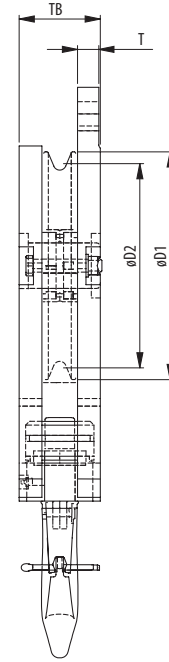


SINGLE SHEAVE BLOCKS



SINGLE ACTION HOOK



Model No.	WLL (USTons)	for wire ød (inch)	Dimensions (inch)										Weight (lbs)	
			øD1	øD2	B	O	S	TA	TB	TL	T	øZ		
HB 210.11.1.5.E	5.5	7/16	9.84	8.27	13.70	1.34	1.18	1.18	12.60	4.06	20.59	0.79	1.06	90
HB 220.13.1.5.E	5.5	1/2	10.24	8.70	13.90	1.34	1.18	1.18	13.90	4.29	20.67	0.87	1.06	148
HB 220.14.1.8.E	8.8	9/16	10.24	8.58	15.35	1.69	1.38	1.38	12.99	4.76	22.48	1.10	1.26	176
HB 220.14.1.10.E	11	9/16	10.24	8.58	16.89	2.05	1.38	1.38	12.99	5.39	23.98	1.10	1.26	205
HB 255.13.1.8.E	8.8	1/2	11.81	10.04	16.77	1.69	1.18	1.18	14.57	3.98	24.45	0.87	1.06	196
HB 255.16.1.8.E	8.8	5/8	11.81	9.92	16.54	1.69	1.38	1.38	14.57	4.37	24.45	1.10	1.26	207
HB 255.16.1.10.E	11	5/8	11.81	9.92	18.07	2.05	1.38	1.38	14.57	5.00	25.94	1.10	1.26	201
HB 305.16.1.10.E	11	5/8	13.78	12.01	19.65	2.05	1.38	1.38	17.13	4.21	29.09	1.10	1.30	249
HB 345.18.1.12.E	13.2	11/16	15.75	13.58	21.93	2.24	1.77	1.77	19.69	4.92	32.76	1.38	1.46	357
HB 390.20.1.16.E	17.6	13/16	17.72	15.35	23.31	2.24	1.97	1.97	21.65	5.16	36.10	1.38	1.69	454
HB 430.22.1.20.E	22	7/8	19.69	16.93	23.31	2.99	1.97	1.97	23.62	5.83	40.63	1.57	1.69	626

Minimum Ultimate Strength = 4 x WLL

- Standard fitted with becket, cylindrical roller bearing and reeving guide.
- Standard fitted with swivel only hook (319AN style), including safety latch and split pin. Standard painted yellow (no striping).
- This crane block may be used with 2 lines only as well.
- Third party testing with certification available upon request.
- Sheaves may be adjustud for other wire rope diameters.
- Becket suitable for connecting Open Wedge Socket for indicated wire rope diameter.



SEE OUR WARNING & SAFETY INFORMATION