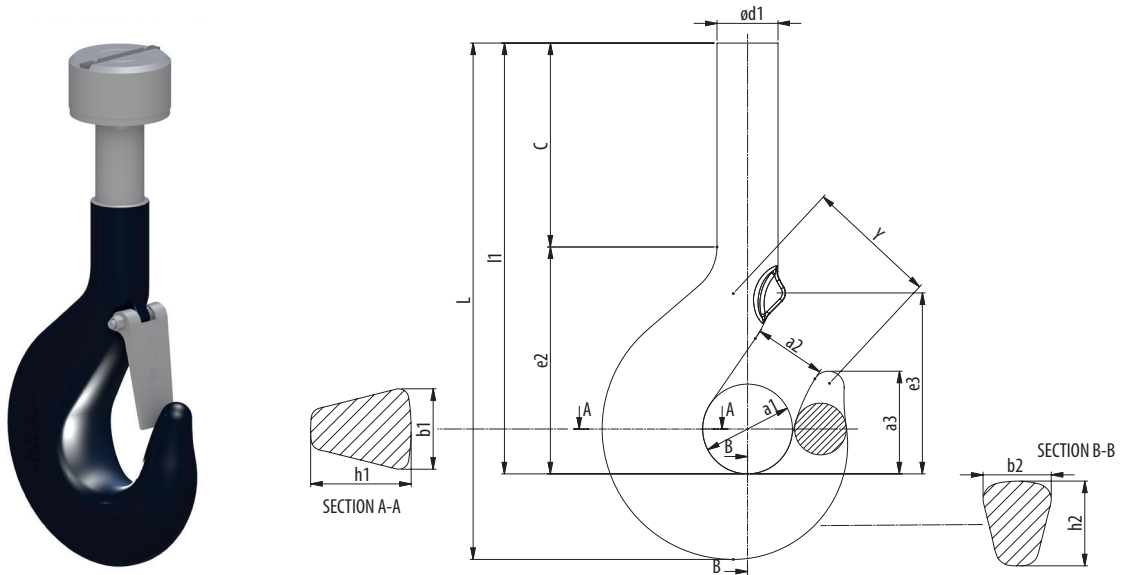


SINGLE HOOK

ACCORDING TO EN 13001-3-5 ANNEX A1 & A2
[PREVIOUSLY DIN 15401]



Hook No.	Lifting capacity (UStons)			Dimensions (inch)													Weight (lbs)	
	V-Class	T-class	P-class	a1	a2	a3	b1	b2	c	ød1	e2	e3	h1	h2	L	l1		Y
1.6	8	6,3	4	2.20	1.77	2.52	1.77	1.50	2.52	1.42	5.75	4.65	2.20	1.89	10.47	8.27	2.95	9.9
2.5	12,5	10	6,3	2.48	1.97	2.83	2.09	1.77	3.46	1.65	6.57	5.20	2.64	2.28	12.68	10.04	3.15	13.7
4	20	16	10	2.80	2.20	3.15	2.48	2.09	5.51	1.89	7.48	5.83	3.15	2.64	16.14	12.99	5.12	21.8
5	25	20	12,5	3.15	2.48	3.54	2.80	2.36	7.28	2.09	8.46	6.50	3.54	2.95	19.29	15.75	5.12	33.3
6	32	25	16	3.54	2.80	3.98	3.15	2.64	7.28	2.36	9.45	7.28	3.94	3.35	20.67	16.73	5.12	47
8	40	32	20	3.94	3.15	4.45	3.54	2.95	7.95	2.64	10.55	8.27	4.41	3.74	22.91	18.50	5.71	66.1
10	50	40	25	4.41	3.54	5.00	3.94	3.35	10.59	2.95	11.26	8.70	4.92	4.17	26.77	21.85	6.30	92.6
12	63	50	32	4.92	3.94	5.63	4.41	3.74	11.18	3.35	12.44	9.92	5.51	4.65	29.13	23.62	7.09	129
16	80	63	40	5.51	4.41	6.30	4.92	4.17	11.93	3.74	14.06	11.02	6.30	5.20	32.28	25.98	7.87	179.9
20	100	80	50	6.30	4.92	7.09	5.51	4.65	16.34	4.17	15.94	12.99	7.09	5.91	39.37	32.28	8.86	270.1
25	125	100	63	7.09	5.51	7.95	6.30	5.20	17.52	4.65	17.91	14.17	7.87	6.69	43.31	35.43	10.04	381.6
32	160	125	80	7.87	6.30	8.86	7.09	5.91	19.29	5.20	20.08	15.75	8.82	7.48	48.19	39.37	11.42	524
40	200	160	100	8.82	7.09	9.92	7.87	6.69	19.02	5.91	22.32	17.60	9.84	8.35	51.18	41.34	12.60	719.1
50	250	200	125	9.84	7.87	11.22	8.82	7.48	19.88	6.69	25.00	19.09	11.02	9.29	55.91	44.88	13.98	1002.7
63	320	250	160	11.02	8.82	12.60	9.84	8.35	23.23	7.48	27.95	21.65	12.40	10.43	63.58	51.18	15.75	1418
80	400	320	200	12.40	9.84	14.09	11.02	9.29	17.64	8.35	31.57	23.54	13.98	11.81	63.19	49.21	17.72	1675.5
100	500	400	250	13.98	11.02	15.83	12.40	10.43	20.20	9.29	35.51	27.09	15.75	13.19	71.46	55.71	19.88	2689.6
125	630	500	320	15.75	12.40	17.72	13.98	11.81	23.62	10.43	40.16	29.53	17.72	14.76	81.50	63.78	22.44	3858.1
160	800	630	400	17.72	13.98	19.88	15.75	13.19	25.39	11.81	45.08	32.48	19.69	16.73	90.16	70.47	25.20	5467.5
200	1000	800	500	19.69	15.75	22.24	17.72	14.76	30.43	13.19	50.20	35.43	22.05	18.70	102.68	80.63	28.35	7539.8
250	1250	1000	630	22.05	17.72	25.00	19.69	16.73	34.45	14.76	56.30	38.58	24.80	20.87	115.55	90.75	31.89	10582.2

- Hooks shown here are standard models; inquiries for custom versions are welcome.
- Lifting capacity determined according to crangroup 1Bm as specified in DIN 15400.

