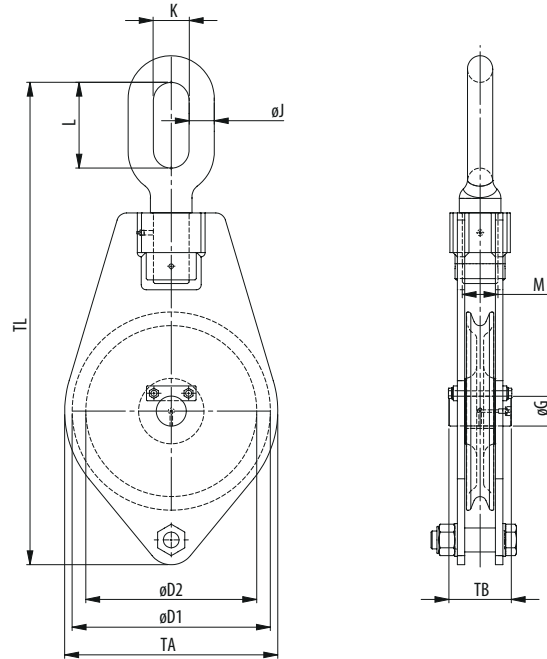


## SAMSON WIRE ROPE BLOCKS

## 1 SHEAVE



- Hook
- Jaw
- Stud eye
- Roller bearings
- Becket

| Model No.<br>(+B for w. becket) | WLL<br>(UStons) | for wire ød<br>(inch) | Dimensions (inch) |       |      |      |      |      |      |       |      |       | Weight<br>(lbs) |
|---------------------------------|-----------------|-----------------------|-------------------|-------|------|------|------|------|------|-------|------|-------|-----------------|
|                                 |                 |                       | øD1               | øD2   | øG   | øJ   | K    | L    | M    | TA    | TB   | TL    |                 |
| WB 80.8.1.0,75.O                | 0.8             | 5/16                  | 3.94              | 3.15  | 0.59 | 0.47 | 0.83 | 1.89 | 0.63 | 4.33  | 1.77 | 10.83 | 4               |
| WB 105.10.1.1.O                 | 1.1             | 3/8                   | 4.92              | 4.13  | 0.87 | 0.63 | 1.02 | 2.28 | 0.71 | 5.31  | 2.05 | 13.23 | 7               |
| WB 120.12.1.2.O                 | 2.2             | 1/2                   | 5.91              | 4.72  | 1.18 | 0.63 | 1.02 | 2.28 | 0.94 | 6.69  | 2.91 | 16.02 | 13              |
| WB 165.14.1.3.O                 | 3.3             | 9/16                  | 7.87              | 6.50  | 1.18 | 0.83 | 1.26 | 2.83 | 1.18 | 8.66  | 2.91 | 19.69 | 22              |
| WB 210.18.1.4.O                 | 4.4             | 11/16                 | 9.84              | 8.27  | 1.38 | 1.02 | 1.57 | 3.70 | 1.30 | 10.63 | 3.19 | 23.94 | 40              |
| WB 255.20.1.6.O                 | 6.6             | 13/16                 | 11.81             | 10.04 | 1.57 | 1.14 | 1.77 | 4.25 | 1.65 | 12.60 | 3.46 | 27.80 | 60              |
| WB 305.22.1.8.O                 | 8.8             | 7/8                   | 13.78             | 12.01 | 1.77 | 1.26 | 1.93 | 4.49 | 1.77 | 14.96 | 3.62 | 30.63 | 97              |
| WB 305.22.1.10.O                | 11.0            | 7/8                   | 13.78             | 12.01 | 1.97 | 1.42 | 2.13 | 4.92 | 2.05 | 14.96 | 4.33 | 31.30 | 110             |
| WB 345.24.1.10.O                | 11.0            | 15/16                 | 15.75             | 13.58 | 1.97 | 1.42 | 2.13 | 4.92 | 2.05 | 16.93 | 4.33 | 33.39 | 132             |
| WB 305.22.1.12.O                | 13.2            | 7/8                   | 13.78             | 12.01 | 1.97 | 1.61 | 2.36 | 5.67 | 2.20 | 14.96 | 4.49 | 32.32 | 130             |
| WB 345.24.1.12.O                | 13.2            | 15/16                 | 15.75             | 13.58 | 2.36 | 1.61 | 2.36 | 5.67 | 2.20 | 16.93 | 4.65 | 36.46 | 165             |
| WB 305.22.1.16.O                | 17.6            | 7/8                   | 13.78             | 12.01 | 1.97 | 1.81 | 2.60 | 6.42 | 2.52 | 14.96 | 4.49 | 34.61 | 152             |
| WB 345.24.1.16.O                | 17.6            | 15/16                 | 15.75             | 13.58 | 2.36 | 1.81 | 2.60 | 6.42 | 2.52 | 16.93 | 4.65 | 37.76 | 179             |
| WB 345.24.1.20.O                | 22.0            | 15/16                 | 15.75             | 13.58 | 2.36 | 2.01 | 2.83 | 6.81 | 2.83 | 16.93 | 4.65 | 38.98 | 214             |
| WB 390.28.1.20.O                | 22.0            | 1 1/8                 | 17.72             | 15.35 | 2.76 | 2.01 | 2.83 | 6.81 | 2.83 | 18.90 | 5.04 | 41.18 | 240             |
| WB 390.28.1.25.O                | 27.6            | 1 1/8                 | 17.72             | 15.35 | 2.76 | 2.36 | 3.15 | 7.68 | 2.99 | 18.90 | 5.04 | 43.50 | 287             |
| WB 390.28.1.30.O                | 33.1            | 1 1/8                 | 17.72             | 15.35 | 2.76 | 2.36 | 3.54 | 8.66 | 3.15 | 18.90 | 5.28 | 45.08 | 331             |

Minimum Ultimate Strength = 5 x WLL

WLL= Working Load Limit on head fitting.

- All blocks up to 30 tons are standard supplied with swivel oval eye, for over 30 tons with swivel stud eye.
- All blocks can be supplied with swivel hook, swivel stud eye or swivel jaw.
- Standard supplied with bronze bearings.
- Other bearings available on request.
- Groove in sheave may be adjusted to other wire rope diameters.



**SEE OUR WARNING & SAFETY INFORMATION**