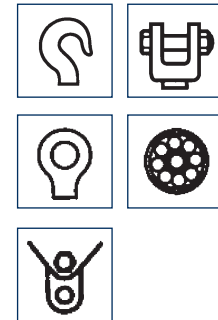
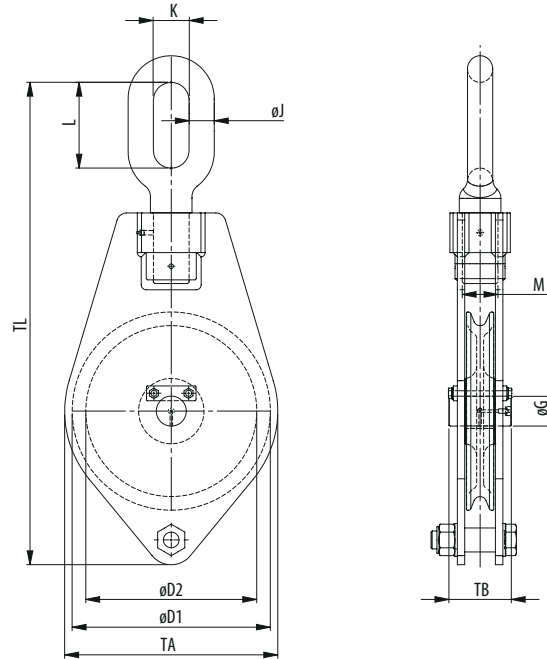


## SAMSON WIRE ROPE BLOCKS

## 1 SHEAVE



- Hook
- Jaw
- Stud eye
- Roller bearings
- Becket

Model No. (+B for w. becket)	WLL (UStons)	for wire ød (inch)	Dimensions (inch)										Weight (lbs)
			øD1	øD2	øG	øJ	K	L	M	TA	TB	TL	
WB 80.8.1.0,75.O	0.8	5/16	3.94	3.15	0.59	0.47	0.83	1.89	0.63	4.33	1.77	10.83	4
WB 105.10.1.1.O	1.1	3/8	4.92	4.13	0.87	0.63	1.02	2.28	0.71	5.31	2.05	13.23	7
WB 120.12.1.2.O	2.2	1/2	5.91	4.72	1.18	0.63	1.02	2.28	0.94	6.69	2.91	16.02	13
WB 165.14.1.3.O	3.3	9/16	7.87	6.50	1.18	0.83	1.26	2.83	1.18	8.66	2.91	19.69	22
WB 210.18.1.4.O	4.4	1 1/16	9.84	8.27	1.38	1.02	1.57	3.70	1.30	10.63	3.19	23.94	40
WB 255.20.1.6.O	6.6	1 3/16	11.81	10.04	1.57	1.14	1.77	4.25	1.65	12.60	3.46	27.80	60
WB 305.22.1.8.O	8.8	7/8	13.78	12.01	1.77	1.26	1.93	4.49	1.77	14.96	3.62	30.63	97
WB 305.22.1.10.O	11.0	7/8	13.78	12.01	1.97	1.42	2.13	4.92	2.05	14.96	4.33	31.30	110
WB 345.24.1.10.O	11.0	1 5/16	15.75	13.58	1.97	1.42	2.13	4.92	2.05	16.93	4.33	33.39	132
WB 305.22.1.12.O	13.2	7/8	13.78	12.01	1.97	1.61	2.36	5.67	2.20	14.96	4.49	32.32	130
WB 345.24.1.12.O	13.2	1 5/16	15.75	13.58	2.36	1.61	2.36	5.67	2.20	16.93	4.65	36.46	165
WB 305.22.1.16.O	17.6	7/8	13.78	12.01	1.97	1.81	2.60	6.42	2.52	14.96	4.49	34.61	152
WB 345.24.1.16.O	17.6	1 5/16	15.75	13.58	2.36	1.81	2.60	6.42	2.52	16.93	4.65	37.76	179
WB 345.24.1.20.O	22.0	1 5/16	15.75	13.58	2.36	2.01	2.83	6.81	2.83	16.93	4.65	38.98	214
WB 390.28.1.20.O	22.0	1 1/2	17.72	15.35	2.76	2.01	2.83	6.81	2.83	18.90	5.04	41.18	240
WB 390.28.1.25.O	27.6	1 1/2	17.72	15.35	2.76	2.36	3.15	7.68	2.99	18.90	5.04	43.50	287
WB 390.28.1.30.O	33.1	1 1/2	17.72	15.35	2.76	2.36	3.54	8.66	3.15	18.90	5.28	45.08	331

Minimum Ultimate Strength = 5 x WLL

WLL= Working Load Limit on head fitting.

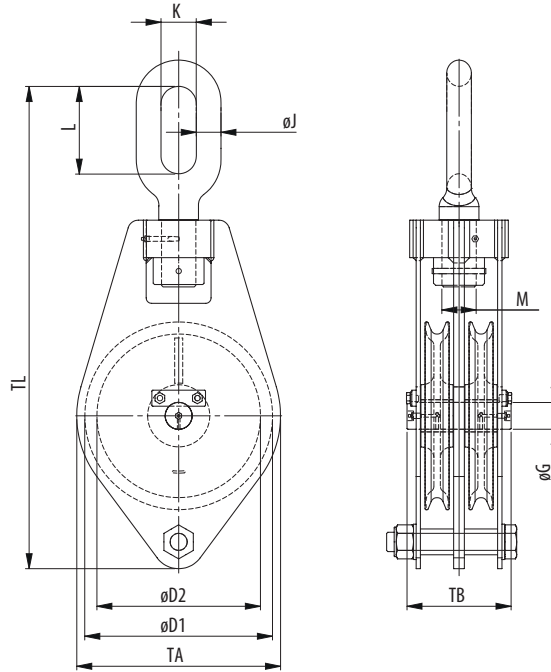
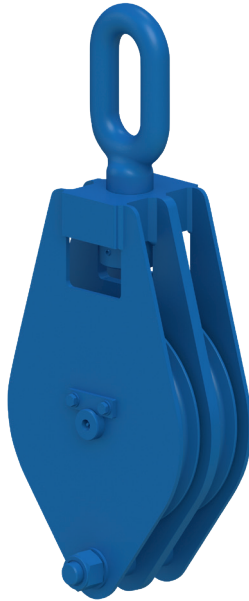
- All blocks up to 30 tons are standard supplied with swivel oval eye, for over 30 tons with swivel stud eye.
- All blocks can be supplied with swivel hook, swivel stud eye or swivel jaw.
- Standard supplied with bronze bearings.
- Other bearings available on request.
- Groove in sheave may be adjusted to other wire rope diameters.



**SEE OUR WARNING & SAFETY INFORMATION**

## SAMSON WIRE ROPE BLOCKS

## 2 SHEAVES



- Hook
- Jaw
- Stud eye
- Roller bearings
- Becket

Model No. (+B for w. becket)	WLL (UStons)	for wire ød (inch)	Dimensions (inch)										Weight (lbs)
			øD1	øD2	øG	øJ	K	L	M	TA	TB	TL	
WB 80.8.2.1.O	1.1	5/16	3.94	3.15	0.59	0.63	1.02	2.28	0.71	4.33	2.76	11.61	9
WB 105.10.2.1,5.O	1.7	3/8	4.92	4.13	0.87	0.63	1.02	2.28	0.94	5.31	3.35	13.23	13
WB 120.12.2.3.O	3.3	1/2	5.91	4.72	1.18	0.83	1.26	2.83	1.18	6.69	4.72	16.93	24
WB 165.14.2.4.O	4.4	9/16	7.87	6.50	1.18	1.02	1.57	3.70	1.30	8.66	4.72	21.18	40
WB 210.18.2.6.O	6.6	1 1/16	9.84	8.27	1.38	1.14	1.77	4.25	1.65	10.63	5.24	24.57	71
WB 255.20.2.8.O	8.8	1 3/16	11.81	10.04	1.57	1.26	1.93	4.49	1.77	12.60	5.75	28.07	95
WB 305.22.2.10.O	11.0	7/8	13.78	12.01	1.77	1.42	2.13	4.92	2.05	14.96	5.98	22.40	163
WB 305.22.2.12.O	13.2	7/8	13.78	12.01	1.97	1.61	2.36	5.67	2.20	14.96	7.32	32.32	179
WB 345.24.2.12.O	13.2	1 5/16	15.75	13.58	1.97	1.61	2.36	5.67	2.20	16.93	7.09	35.16	225
WB 305.22.2.16.O	17.6	7/8	13.78	12.01	1.97	1.81	2.60	6.42	2.52	14.96	7.32	34.61	216
WB 345.24.2.16.O	17.6	1 5/16	15.75	13.58	2.36	1.81	2.60	6.42	2.52	16.93	7.56	37.76	278
WB 305.22.2.20.O	22.0	7/8	13.78	12.01	1.97	2.01	2.83	6.81	2.83	14.96	7.32	35.28	256
WB 345.24.2.20.O	22.0	1 5/16	15.75	13.58	2.36	2.01	2.83	6.81	2.83	16.93	7.56	38.43	322
WB 345.24.2.25.O	27.6	1 5/16	15.75	13.58	2.36	2.36	3.15	7.68	2.99	16.93	7.56	41.93	373
WB 390.28.2.25.O	27.6	1 1/2	17.72	15.35	2.76	2.36	3.15	7.68	2.99	18.90	8.70	44.09	419
WB 345.24.2.30.O	33.1	1 5/16	15.75	13.58	2.36	2.36	3.54	8.66	3.15	16.93	7.56	43.11	406
WB 390.28.2.30.O	33.1	1 1/2	17.72	15.35	2.76	2.36	3.54	8.66	3.15	18.90	9.29	45.28	450
WB 390.28.2.40.O	44.1	1 1/2	17.72	15.35	2.76	-	3.78	3.78	3.54	18.90	9.29	40.55	496

Minimum Ultimate Strength = 5 x WLL

WLL= Working Load Limit on head fitting.

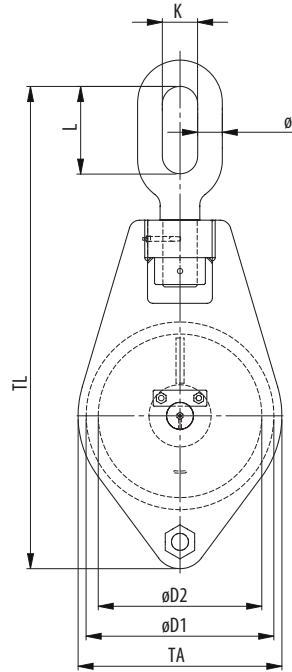
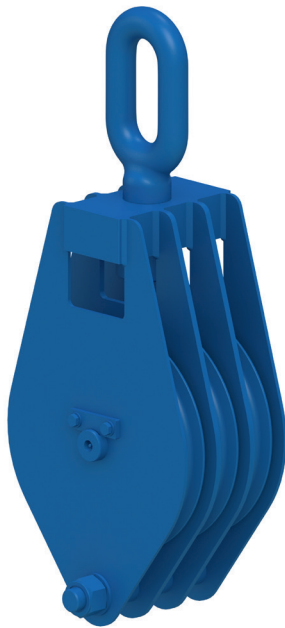
- All blocks up to 30 tons are standard supplied with swivel oval eye, for over 30 tons with swivel stud eye.
- All blocks can be supplied with swivel hook, swivel stud eye or swivel jaw.
- Standard supplied with bronze bearings.
- Other bearings available on request.
- Groove in sheave may be adjusted to other wire rope diameters.



**SEE OUR WARNING & SAFETY INFORMATION**

## SAMSON WIRE ROPE BLOCKS

## 3 SHEAVES



- Hook
- Jaw
- Stud eye
- Roller bearings
- Becket

Model No. (+B for w. becket)	WLL (USTons)	for wire ød (inch)	Dimensions (inch)										Weight (lbs)
			øD1	øD2	G	øJ	K	L	M	TA	TB	TL	
WB 105.10.3.2.O	2.2	3/8	4.92	4.13	0.87	0.63	1.02	2.28	0.94	5.31	4.72	13.23	20
WB 120.12.3.4.O	4.4	1/2	5.91	4.72	1.18	1.02	1.57	3.70	1.30	6.69	6.54	18.43	37
WB 165.14.3.6.O	6.6	5/8	7.87	6.50	1.18	1.14	1.77	4.25	1.65	8.66	6.54	21.89	62
WB 210.18.3.8.O	8.8	11/16	9.84	8.27	1.38	1.26	1.93	4.49	1.77	10.63	7.28	24.92	101
WB 255.20.3.10.O	11.0	13/16	11.81	10.04	1.57	1.42	2.13	4.92	2.05	12.60	8.03	28.86	152
WB 305.22.3.12.O	13.2	7/8	13.78	12.01	1.77	1.61	2.36	5.67	2.20	14.96	8.35	32.40	218
WB 305.24.3.16.O	17.6	15/16	13.78	12.01	1.97	1.81	2.60	6.42	2.52	14.96	10.16	34.65	265
WB 345.24.3.16.O	17.6	15/16	15.75	13.58	1.97	1.81	2.60	6.42	2.52	16.93	9.84	36.50	346
WB 305.24.3.20.O	22.0	15/16	13.78	12.01	1.97	2.01	2.83	6.81	2.83	14.96	10.16	35.28	315
WB 345.24.3.20.O	22.0	15/16	15.75	13.58	2.36	2.01	2.83	6.81	2.83	16.93	10.47	39.61	406
WB 305.24.3.25.O	27.6	15/16	13.78	12.01	1.97	2.36	3.15	7.68	2.99	14.96	10.47	37.60	375
WB 345.24.3.25.O	27.6	15/16	15.75	13.58	2.36	2.36	3.15	7.68	2.99	16.93	10.47	41.93	437
WB 390.28.3.25.O	27.6	1 1/8	17.72	15.35	2.76	2.36	3.15	7.68	2.99	18.90	11.65	44.09	485
WB 345.28.3.30.O	33.1	1 1/8	15.75	13.58	2.36	2.36	3.54	8.66	3.15	16.93	10.47	43.11	474
WB 390.28.3.30.O	33.1	1 1/8	17.72	15.35	2.76	2.36	3.54	8.66	3.15	18.90	11.65	44.88	562
WB 345.28.3.40.O	44.1	1 1/8	15.75	13.58	2.36	-	3.78	3.78	3.54	16.93	10.94	37.20	551
WB 390.28.3.40.O	44.1	1 1/8	17.72	15.35	2.76	-	3.78	3.78	3.54	18.90	12.13	40.55	650
WB 390.28.3.50.O	55.1	1 1/8	17.72	15.35	2.95	-	4.17	4.17	3.94	18.90	13.31	41.54	739

Minimum Ultimate Strength = 5 x WLL

WLL= Working Load Limit on head fitting.

- All blocks up to 30 tons are standard supplied with swivel oval eye, for over 30 tons with swivel stud eye.
- All blocks can be supplied with swivel hook, swivel stud eye or swivel jaw.
- Standard supplied with bronze bearings.
- Other bearings available on request.
- Groove in sheave may be adjusted to other wire rope diameters.



**SEE OUR WARNING & SAFETY INFORMATION**