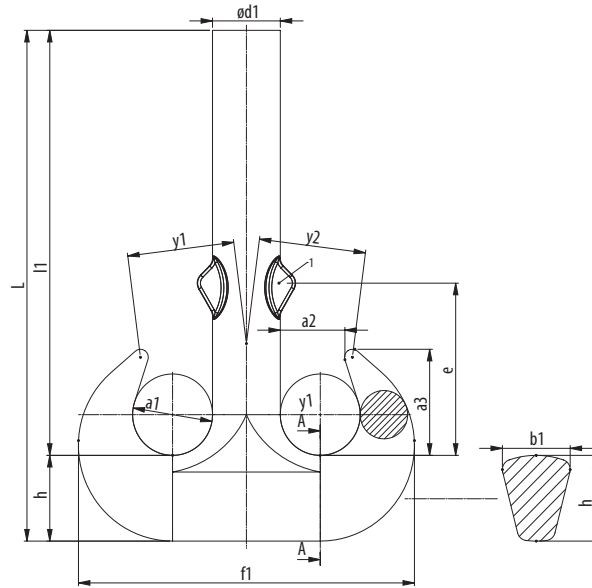


RAMSHORN HOOK

ACCORDING TO EN 13001-3-5 ANNEX B
(PREVIOUSLY DIN 15402)



Hook No.	Lifting capacity (UStons)			Dimensions (inch)											Weight (lbs)
	V-Class	T-class	P-class	a1	a2	a3	b1	ød1	e	f1	h	L	l1	y1=y2	
1.6	8.8	6.93	4.4	1.77	1.42	2.32	1.34	1.42	3.94	7.20	1.69	10.43	8.74	2.36	11.7
2.5	13.75	11	6.93	1.97	1.57	2.56	1.57	1.65	4.41	8.19	1.97	11.81	9.84	2.56	15.2
4	22	17.6	11	2.20	1.77	2.87	1.89	1.89	4.88	9.37	2.36	15.35	12.99	3.66	22
5	27.5	22	13.75	2.48	1.97	3.23	2.09	2.09	5.63	10.47	2.64	14.65	12.01	3.66	27.6
6	35.2	27.5	17.6	2.80	2.20	3.62	2.36	2.36	6.30	11.85	2.95	19.88	16.93	3.66	38.6
8	44	35.2	22	3.15	2.48	4.06	2.64	2.64	7.17	13.27	3.35	21.06	17.72	4.11	58
10	55	44	27.5	3.54	2.80	4.57	2.95	2.95	7.56	14.84	3.74	23.03	19.29	4.63	77.2
12	69.3	55	35.2	3.94	3.15	5.12	3.35	3.35	8.27	16.57	4.17	24.25	20.08	5.22	108
16	88	69.3	44	4.41	3.54	5.75	3.74	3.74	9.33	18.54	4.65	28.27	23.62	5.85	132.3
20	110	88	55	4.92	3.94	6.42	4.17	4.17	10.43	20.91	5.20	33.54	28.35	6.52	213.8
25	137.5	110	69.3	5.51	4.41	7.17	4.65	4.65	12.40	23.54	5.91	39.37	33.46	7.28	297.6
32	176	137.5	88	6.30	4.92	8.07	5.20	5.20	13.19	26.46	6.69	40.16	33.46	8.15	425.5
40	220	176	110	7.09	5.51	9.06	5.91	5.91	14.76	29.69	7.48	47.83	40.35	9.17	617.3
50	275	220	137.5	7.87	6.30	10.24	6.69	6.69	16.54	33.15	8.35	51.65	43.31	10.43	745.2
63	352	275	176	8.82	7.09	11.50	7.48	7.48	18.11	37.17	9.29	56.54	47.24	11.69	1188.3
80	440	352	220	9.84	7.87	12.80	8.35	8.35	20.28	41.81	10.43	59.65	49.21	13.03	1675.5
100	550	440	275	11.02	8.82	14.33	9.29	9.29	22.64	46.69	11.81	67.91	56.10	14.57	2425.1
125	693	550	352	12.40	9.84	16.06	10.43	10.43	25.39	52.36	13.19	74.21	61.02	16.32	3287.1
160	880	693	440	13.98	11.02	18.03	11.81	11.81	28.54	59.25	14.76	83.46	68.70	18.35	4662.8
200	1100	880	550	15.75	12.40	20.28	13.19	13.19	31.50	66.34	16.73	95.39	78.66	20.57	6646.9
250	1375	1100	693	17.72	13.98	22.83	14.76	14.76	34.45	74.21	18.70	107.28	88.58	23.13	9409.3

- Hooks shown here are standard models; inquiries for custom versions are welcome.
- Lifting capacity determined according to crane group 1Bm as specified in DIN 15400.



SEE OUR WARNING & SAFETY INFORMATION