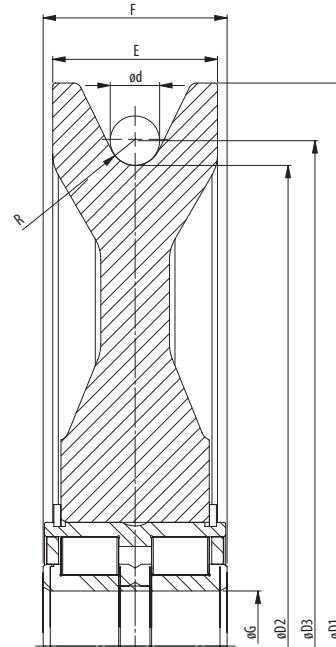
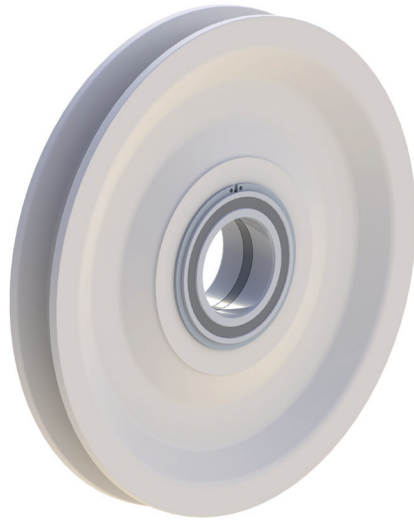


## PLASTIC SHEAVES

## WITH CYLINDRICAL ROLLER BEARINGS



Model No.	Dimensions (inch)								Bearing	Weight (lbs)
	Sheave tread ø	Shaft ø	For wire ød	Groove radius	Outer ø	P.C.D.	Rim width	Bearing width		
	øD2	øG	d	R	øD1	øD3	E	F		
SE.260.5010.6,5.K	10.24	1.97	0.47	0.26	11.81	10.71	1.34	1.57	SL04 5010PP	6
SE.285.5012.6,5.K	11.22	2.36	0.47	0.26	12.80	11.69	1.34	1.81	SL04 5012PP	9
SE.350.5014.14.K	13.78	2.76	1.02	0.55	16.38	14.80	2.05	2.13	SL04 5014PP	13
SE.352.5013.9,5.K	13.86	2.56	0.67	0.37	15.75	14.53	1.65	1.81	SL04 5013PP	12
SE.352.5013.8,5.K	13.86	2.56	0.63	0.33	15.75	14.49	1.65	1.81	SL04 5013PP	12
SE.352.5016.8,5.K	13.86	3.15	0.63	0.33	15.75	14.49	1.97	2.36	SL04 5016PP	17
SE.400.5018.10,5.K	15.75	3.54	0.75	0.41	18.11	16.50	2.36	2.64	SL04 5018PP	22
SE.400.5018.10.K	15.75	3.54	0.71	0.39	18.11	16.46	2.36	2.64	SL04 5018PP	24
SE.400.5024.10.K	15.75	4.72	0.71	0.39	18.11	16.46	2.83	3.15	SL04 5024PP	31
SE.400.160.10.K	15.75	6.30	0.71	0.39	18.11	16.46	2.83	3.15	SL04 160PP	30
SE.482.5018.12.K	18.98	3.54	0.87	0.47	21.97	19.84	2.44	2.64	SL04 5018PP	29
SE.482.5018.11,5.K	18.98	3.54	0.83	0.45	22.05	19.80	2.44	2.64	SL04 5018PP	31
SE.482.5024.11,5.K	18.98	4.72	0.83	0.45	22.05	19.80	2.83	3.15	SL04 5024PP	39
SE.482.160.11,5.K	18.98	6.30	0.83	0.45	22.05	19.80	2.83	3.15	SL04 160PP	38
SE.528.5018.14.K	20.79	3.54	1.02	0.55	23.46	21.81	2.44	2.64	SL04 5018PP	33
SE.528.5018.12.K	20.79	3.54	0.87	0.47	23.46	21.65	2.36	2.64	SL04 5018PP	33
SE.528.5018.13.K	20.79	3.54	0.94	0.51	23.46	21.73	2.44	2.64	SL04 5018PP	33
SE.528.5018.8,5.K	20.79	3.54	0.63	0.33	23.46	21.42	2.44	2.64	SL04 5018PP	34
SE.528.5024.13.K	20.79	4.72	0.94	0.51	23.46	21.73	2.83	3.15	SL04 5024PP	46
SE.528.160.13.K	20.79	4.72	0.94	0.51	23.46	21.73	2.83	3.15	SL04 160PP	49
SE.630.160.15,5.K	24.80	6.30	1.10	0.61	27.95	25.91	2.95	3.15	SL04 160PP	62
SE.662.5026.15,5.K	26.06	5.12	1.10	0.61	29.21	27.17	3.15	3.74	SL04 5026PP	76
SE.772.5026.15,5.K	30.39	5.12	1.10	0.61	33.54	31.50	3.15	3.74	SL04 5026PP	101

- The dimensions in this table are indicative only. A drawing will always be submitted prior to production and will be the leading document when discussing dimensions.
- Sheaves shown here are standard models; inquiries for custom versions are welcome.



**SEE OUR WARNING & SAFETY INFORMATION**