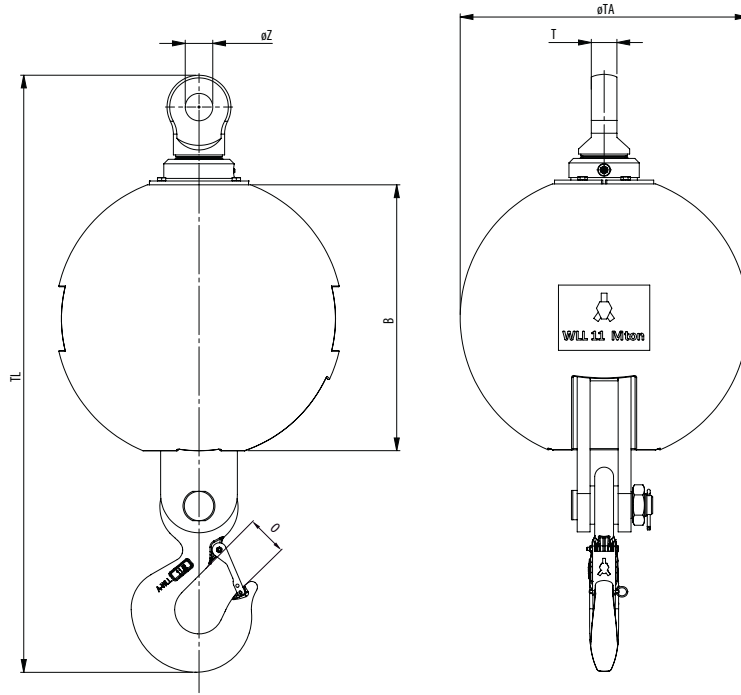


## ROUND OVERHAUL BALLS



Model No.	WLL (UStons)	For wire ød (inch)	Dimensions (inch)						Weight (lbs)
			B	O	øTA	TL	T	øZ	
OHB-B 4,5.50-x	5	½ - ¾	7.8	1.7	9.1	26.2	TBD	TBD	110
OHB-B 4,5.110-x	5	½ - ¾	11.4	1.7	12.3	27.4	TBD	TBD	242
OHB-B 4,5.145-x	5	½ - ¾	12.6	1.7	13.5	28.9	TBD	TBD	320
OHB-B 7.50-x	8	½ - ¾	7.8	1.7	9.1	26.2	TBD	TBD	110
OHB-B 7.80-x	8	½ - ¾	10	1.7	11	26.2	TBD	TBD	175
OHB-B 7.110-x	8	½ - ¾	11.4	1.7	12.3	27.4	TBD	TBD	242
OHB-B 7.145-x	8	½ - ¾	12.6	1.7	13.5	28.9	TBD	TBD	320
OHB-B 11.180-x	12	¾ - 1 ½	13.1	2.1	14.6	33	TBD	TBD	396
OHB-B 11.265-x	12	¾ - 1 ½	15.4	2.1	16.7	35.9	TBD	TBD	583
OHB-B 11.320-x	12	¾ - 1 ½	16.4	2.1	17.7	36.9	TBD	TBD	705
OHB-B 11.530-x	12	¾ - 1 ½	20	2.1	21.1	40.4	TBD	TBD	1165
OHB-B 14.270-x	15	¾ - 1 ½	15.4	2.3	16.7	37.1	TBD	TBD	594
OHB-B 14.325-x	15	¾ - 1 ½	16.4	2.3	17.7	38.5	TBD	TBD	715
OHB-B 14.387-x	15	¾ - 1 ½	17.7	2.3	18.9	38.9	TBD	TBD	850
OHB-B 18.195-x	20	¾ - 1 ½	13.1	3.1	14.6	38.3	TBD	TBD	429
OHB-B 18.330-x	20	¾ - 1 ½	16.4	3.1	17.7	42	TBD	TBD	726
OHB-B 18.392-x	20	¾ - 1 ½	17.7	3.1	18.9	42.6	TBD	TBD	862
OHB-B 18.545-x	20	¾ - 1 ½	20	3.1	21.1	45.6	TBD	TBD	1200

Minimum Ultimate Strength = 4 x WLL

- The dimensions in this table are indicative only. A drawing will always be submitted prior to production and will be the leading document when discussing dimensions.
- Overhaul Balls shown here are standard models; inquiries for custom versions are welcome.



**SEE OUR WARNING & SAFETY INFORMATION**