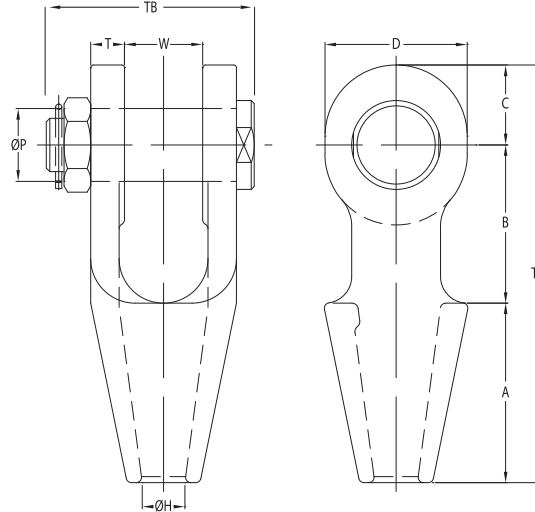
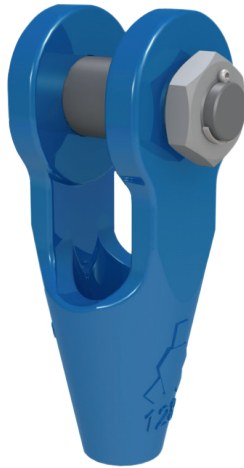


OPEN SPELTER SOCKETS WITH BOLT AND NUT

QUENCHED AND TEMPERED CAST STEEL



Model No.	MBL (UStons)	for wire ø		Strand ø		Dimensions (inch)										Weight (lbs)
		(mm)	(inch)	(mm)	(inch)	A	B	C	D	øH	øP	T	TL	TB	W	
OSS 196 B	9	6-7	¼	-	-	1.97	1.57	0.75	1.34	0.36	0.63	0.35	4.29	2.44	0.75	1.1
OSS 197 B	13	8-10	⅜	-	-	2.24	1.77	0.87	1.65	0.49	0.79	0.43	4.88	2.95	0.83	1.7
OSS 198 B	22	11-13	7/16 - ½	-	-	2.50	2.01	1.06	1.97	0.57	0.98	0.46	5.57	3.15	1.00	2.4
OSS 199 B	28	14-16	9/16 - 5/8	13	½	2.99	2.48	1.26	2.28	0.71	1.18	0.55	6.73	3.78	1.26	4.2
OSS 100 B	44	18-19	¾	14 - 16	5/16 - 3/8	3.50	2.99	1.57	2.76	0.86	1.38	0.63	8.07	4.21	1.50	7
OSS 104 B	61	20-22	7/8	18 - 19	¾	3.98	3.50	1.77	3.15	0.98	1.61	0.75	9.25	4.84	1.73	10
OSS 108 B	83	23-26	1	20 - 22	7/8	4.49	3.98	2.36	4.09	1.13	2.01	0.87	10.83	5.43	2.01	18
OSS 111 B	99	27-30	1 1/8	23 - 26	1	5.00	4.49	2.56	4.49	1.29	2.24	0.98	12.05	6.30	2.24	26
OSS 115 B	138	31-36	1 1/4 - 1 3/8	27 - 28	1 1/16 - 1 1/8	5.47	5.00	2.83	4.96	1.54	2.48	1.10	13.31	6.50	2.48	35
OSS 118 B	165	37-39	1 1/2	30 - 32	1 3/16 - 1 1/4	5.98	6.38	3.15	5.59	1.67	2.76	1.18	15.51	7.83	2.99	50
OSS 120 B	187	40-42	1 5/8	33 - 35	1 3/16 - 1 3/8	6.50	6.50	3.46	6.14	1.79	2.99	1.30	16.46	8.23	2.99	62
OSS 125 B	248	43-48	1 3/4 - 1 7/8	36 - 40	1 7/16 - 1 5/8	7.52	7.01	3.94	6.93	2.06	3.50	1.54	18.46	9.33	3.50	95
OSS 128 B	309	49-54	2 - 2 1/8	42 - 45	1 5/8 - 1 3/4	8.50	8.98	4.25	7.64	2.32	3.74	1.77	21.73	10.35	3.98	136
OSS 130 B	397	55-60	2 1/4 - 2 3/8	46 - 48	1 13/16 - 1 7/8	9.02	10.00	4.72	8.27	2.54	4.25	2.09	23.74	11.73	4.45	199
OSS 132 B	468	61-68	2 1/2 - 2 5/8	50 - 54	2 - 2 1/8	9.76	10.75	5.24	9.29	2.96	4.76	2.36	25.75	12.99	5.00	270
OSS 135 B	507	69-75	2 3/4 - 2 7/8	56 - 62	2 1/4 - 2 1/2	10.98	10.98	5.43	9.45	3.20	5.00	2.87	27.40	14.13	5.24	350
OSS 138 B	617	76-80	3 - 3 3/8	64 - 67	2 1/2 - 2 5/8	12.01	11.26	5.75	9.92	3.47	5.24	2.99	29.02	14.96	5.75	419
OSS 140 B	689	81-86	3 1/4 - 3 3/8	69 - 76	2 3/4 - 3	12.99	11.73	6.30	11.42	3.63	5.51	3.11	31.02	15.63	6.26	507
OSS 142 B	794	87-93	3 1/2 - 3 5/8	78 - 86	3 1/16 - 3 3/8	14.02	12.52	6.99	12.60	3.91	5.98	3.27	33.52	16.50	6.73	632
OSS 144 B	965	94-102	3 3/4 - 4	88 - 96	3 3/16 - 3 3/4	15.00	13.50	7.48	13.78	4.24	7.01	3.50	35.98	17.76	7.52	831
OSS 146 B	1323	108-115	4 1/4 - 4 1/2	98 - 110	3 7/8 - 4 3/16	17.72	18.90	8.46	15.75	5.09	7.68	3.94	45.08	19.92	8.07	1207
OSS 150 B	1543	120-130	4 3/4 - 5	112 - 124	4 7/16 - 4 7/8	19.69	19.69	9.84	17.72	5.78	8.66	4.33	49.21	21.50	8.86	1688
OSS 155 B	1764	135-140	5 1/4 - 5 1/2	125 - 132	4 15/16 - 5 3/16	21.26	19.57	10.35	18.90	6.06	9.45	5.51	51.18	24.53	9.06	2383
OSS 160 B	2205	142-153	5 3/4 - 6	133 - 143	5 1/4 - 5 5/8	23.03	19.88	10.83	19.69	6.73	10.04	5.51	53.74	25.79	9.84	2646
OSS 165 B	2447	154-165	6 1/4 - 6 1/2	144 - 154	5 11/16 - 6 1/4	24.80	20.87	11.81	21.65	7.28	10.83	5.91	57.48	26.97	10.24	3250
OSS 170 B	2756	166-178	6 3/4 - 7	155 - 166	6 1/4 - 6 3/4	26.77	22.44	12.20	22.44	7.83	11.61	5.91	61.42	28.15	11.02	3649
OSS 175 B	3086	180-191	7 1/4 - 7 1/2	167 - 179	6 5/8 - 7 1/16	28.54	23.62	12.80	23.62	8.39	12.20	6.10	64.96	29.53	11.81	4312
OSS 180 B	3527	192-204	7 3/4 - 8	180 - 191	7 1/4 - 7 1/2	30.51	24.41	13.58	25.20	9.02	12.99	6.30	68.50	31.10	12.60	5077

MBL = Minimum Breaking Load

- The standard finish of our sockets is blue. Hot dipped galvanized is also available.
- Socket range OSS 196 until OSS 100 is delivered with galvanized finish, other finishes are available upon request.
- All sockets are provided with an EN 10204-2.1 declaration of conformity, EN 10204-3.1 material certificate and can be provided with a 2006/42/EC declaration where applicable.
- Dimensional tolerances depend on the manufacturing techniques applied and are different between machined components (pins) and cast components (socket bodies and wedges).
- Also surface finish e.g. hot dip galvanizing or even paint may add to the overall thickness and fork distance.
- Please contact Ropeblock for further guidance and a detailed dimensional tolerance sheet.


SEE OUR WARNING & SAFETY INFORMATION