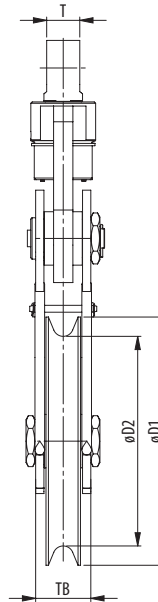
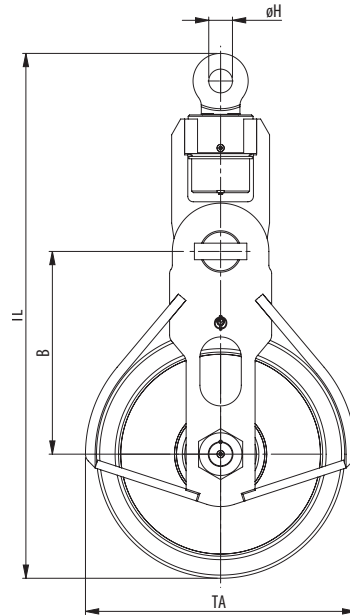
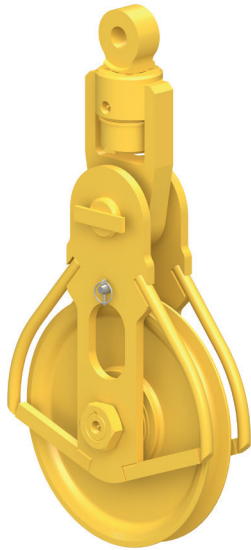


## HIGH CAPACITY LIGHT WEIGHT BLOCKS

## LIGHT WEIGHT TILT-UP BLOCKS



- Hook
- Clevis
- Tailboard
- Oblong eye

Model No.	WLL (UStons)	For wire ød (inch)	Dimensions (inch)							Weight (lbs)	
			øD1	øD2	B	øH	T	TA	TB		TL
HCLW 240.28.1.25.S	27.5	1 - 1½	11.8	9.4	10.2	1.6	2.1	14	4	28.7	155
HCLW 355.32.1.27.S	30	1½ - 1¾	16.5	14	14.8	1.7	2.2	18.7	4.4	39.1	265
HCLW 355.36.1.32.S	35	1¾ - 1¾	16.5	14	14.8	1.7	2.2	18.7	4.8	39.1	265
HCLW 430.32.1.27.S	30	1½ - 1¾	19.5	16.9	16.3	1.7	2.2	21.7	4.4	42.2	240
HCLW 430.32.1.32.S	35	1½ - 1¾	19.5	16.9	16.3	1.7	2.2	21.7	4.8	42.1	285
HCLW 430.38.1.32.S	35	1¾ - 1½	19.5	16.9	16.3	1.7	2.2	21.7	4.8	42.1	255
HCLW 430.38.1.40.S	45	1¾ - 1½	19.5	16.9	16.3	2	2.8	21.7	4.8	43.6	320
HCLW 520.38.1.55.S	60	1¾ - 1½	23.4	20.5	19.1	2.8	3.9	25.6	5.2	51.9	420
HCLW 520.44.1.55.S	60	1½ - 1¾	23.4	20.5	19.1	2.3	3.1	25.6	5.2	51.5	420
HCLW 520.52.1.55.S	60	1¾ - 2	23.4	20.5	19.1	2.3	3.1	25.6	5.2	51.5	420
HCLW 630.58.1.81.S	90	2 - 2¼	28	24.8	22.6	2.9	3.9	30.6	6	62.4	880
HCLW 630.64.1.81.S	90	2¼ - 2½	28	24.8	22.6	2.9	3.9	30.6	6	62.4	880
HCLW 760.70.1.110.S	120	2½ - 2¾	35.4	29.9	28.9	3.4	4.7	38.6	7.9	74.9	1200
HCLW 760.76.1.110.S	120	2¾ - 3	35.4	29.9	28.9	3.4	4.7	38.6	7.9	74.9	1200
HCLW 760.76.1.125.S	137.5	2¾ - 3	35.4	29.9	28.9	3.3	4.7	38.6	7.9	74.4	1320
HCLW 760.76.1.137,5.S	150	2¾ - 3	35.4	29.9	28.9	3.3	4.7	38.6	7.9	74.4	1540

Minimum Ultimate Strength = 4 x WLL

WLL= Working Load Limit on head fitting.

- The dimensions in this table are indicative only. A drawing will always be submitted prior to production and will be the leading document when discussing dimensions.
- Blocks shown here are standard models; inquiries for custom versions are welcome.
- Refer to wire rope manufacturers D/d ratio guideline.
- Standard provided with roller bearing. Bronze bearing optional.



**SEE OUR WARNING & SAFETY INFORMATION**