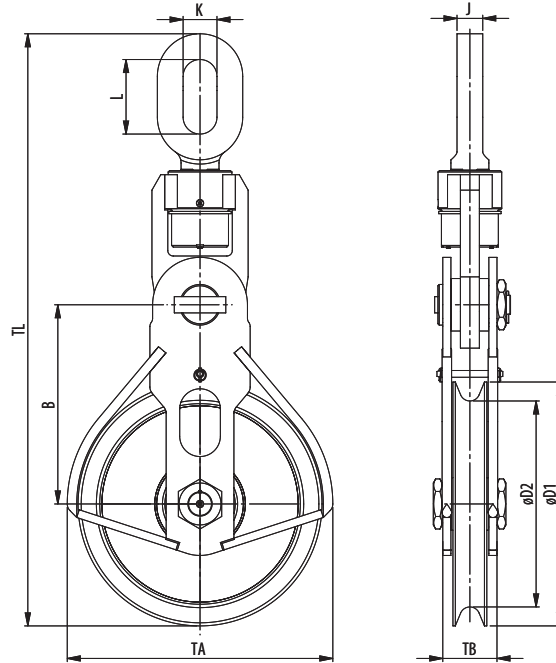
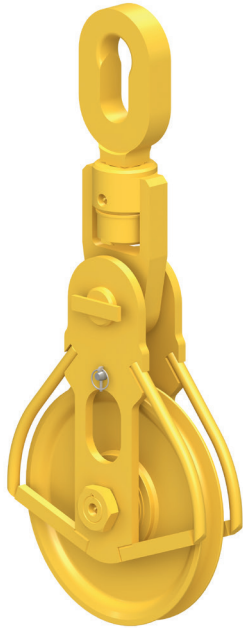


HIGH CAPACITY LIGHT WEIGHT BLOCKS

LIGHT WEIGHT TILT-UP BLOCKS



- Hook
- Clevis
- Tailboard
- Oblong eye

Model No.	WLL (UStons)	For wire ød (inch)	Dimensions (inch)									Weight (lbs)
			øD1	øD2	B	J	K	L	TA	TB	TL	
HCLW 240.28.1.25.O	27.5	1 - 1/8	11.8	9.4	10.2	2	3	5.9	14	4	37.2	175
HCLW 355.32.1.27.O	30	1 1/8 - 1 1/4	16.5	14	14.8	2.4	3.1	6.9	18.7	4.4	47	290
HCLW 355.36.1.32.O	35	1 1/4 - 1 3/8	16.5	14	14.8	2.4	3.1	6.9	18.7	4.8	47	290
HCLW 430.32.1.27.O	30	1 1/8 - 1 1/4	19.5	16.9	16.3	2.4	3.1	6.9	21.7	4.4	50	275
HCLW 430.32.1.32.O	35	1 1/8 - 1 1/4	19.5	16.9	16.3	2.4	3.1	6.9	21.7	4.4	49	310
HCLW 430.38.1.32.O	35	1 1/4 - 1 1/2	19.5	16.9	16.3	2.4	3.1	6.9	21.7	4.8	50	290
HCLW 430.38.1.40.O	45	1 1/4 - 1 1/2	19.5	16.9	16.3	2.6	3.5	7.9	21.7	4.8	51.6	340
HCLW 520.38.1.55.O	60	1 1/4 - 1 1/2	23.4	16.9	19.1	2.6	3.5	7.5	25.6	5.2	60	480
HCLW 520.44.1.55.O	60	1 1/2 - 1 3/4	23.4	20.5	19.1	2.8	3.9	8.7	25.6	5.2	60.5	480
HCLW 520.52.1.55.O	60	1 3/4 - 2	23.4	20.5	19.1	2.8	3.9	8.7	25.6	5.2	60.5	480
HCLW 630.58.1.81.O	90	2 - 2 1/4	28	24.8	22.6	3.1	4.3	9.8	30.6	6	74.1	915
HCLW 630.64.1.81.O	90	2 1/4 - 2 1/2	28	24.8	22.6	3.1	4.3	9.8	30.6	6	74.1	915
HCLW 760.70.1.110.O	120	2 1/2 - 2 3/4	35.4	29.9	28.9	3.7	4.9	10.8	38.6	7.9	86.2	1300
HCLW 760.76.1.110.O	120	2 3/4 - 3	35.4	29.9	28.9	3.7	4.9	10.8	38.6	7.9	86.2	1300
HCLW 760.76.1.125.O	137.5	2 3/4 - 3	35.4	29.9	28.9	3.9	4.9	10.8	38.6	7.9	86.2	1430
HCLW 760.76.1.137,5.O	150	2 3/4 - 3	35.4	29.9	28.9	3.9	4.9	10.8	38.6	7.9	86.2	1650

Minimum Ultimate Strength = 4 x WLL

WLL= Working Load Limit on head fitting.

- The dimensions in this table are indicative only. A drawing will always be submitted prior to production and will be the leading document when discussing dimensions.
- Blocks shown here are standard models; inquiries for custom versions are welcome.
- Refer to wire rope manufacturers D/d ratio guideline.
- Standard provided with roller bearing. Bronze bearing optional.



SEE OUR WARNING & SAFETY INFORMATION