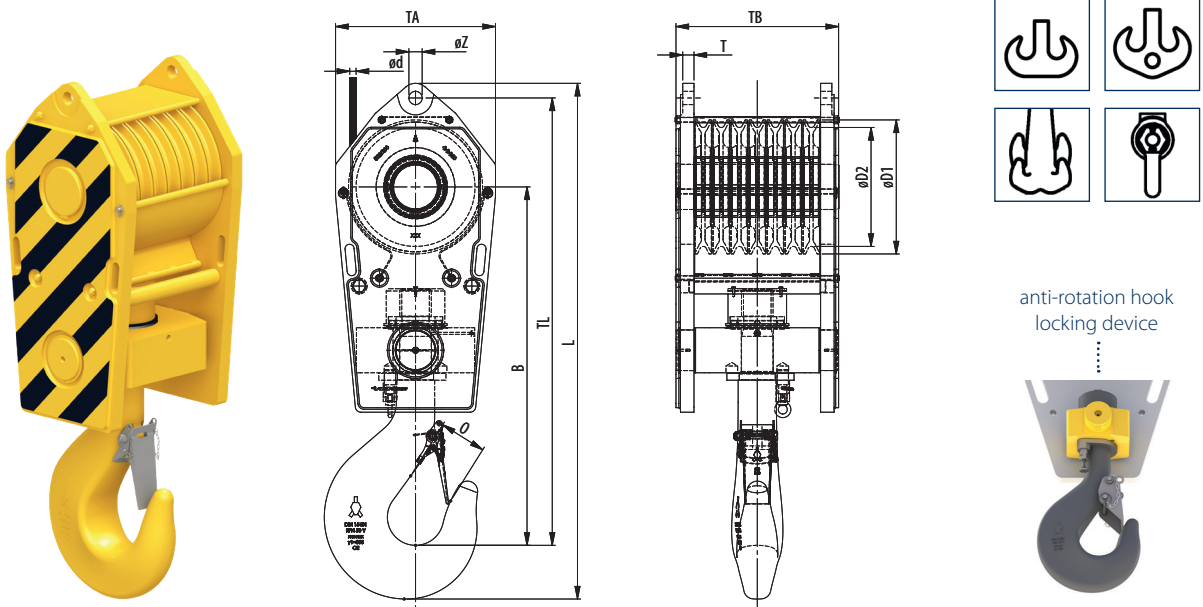


FAST REEVE CRANE BLOCKS

7 SHEAVES



Model No.	WLL (USTons)	For wire ød (inch)	Hook size	Dimensions (inch)									Weight (lbs)
				øD1	øD2	B	O	TA	TL	L	T	øZ	
FRB 355.xx.7.75.E	82.5	5/16 - 7/8	16	16.1	14	39.2	4.4	18.9	49.8	56.8	TBD	TBD	1600
FRB 400.xx.7.100.E	110	5/8 - 1	20	18.1	15.7	43.6	4.9	22.4	55.6	63.4	TBD	TBD	2400
FRB 400.xx.7.118.E	130	5/8 - 1	25	18.1	15.7	48.9	5.5	22.4	60.9	69.4	TBD	TBD	2400
FRB 400.xx.7.127.D	140	5/8 - 1	32	18.1	15.7	47.8	6.3	22.4	59.8	68.3	TBD	TBD	2850
FRB 450.xx.7.127.E	140	3/4 - 1 1/8	32	20.3	17.7	54.3	6.3	23.6	67.4	76.9	TBD	TBD	3150
FRB 450.xx.7.137.E	150	3/4 - 1 1/8	32	20.3	17.7	54.3	6.3	23.6	67.4	76.9	TBD	TBD	3100
FRB 450.xx.7.160.D	176	3/4 - 1 1/8	40	20.3	17.7	58.2	7.1	23.6	71.4	80.8	TBD	TBD	3930
FRB 528.xx.7.160.D	176	7/8 - 1 1/4	40	23.4	20.8	58.6	7.1	31.1	73.9	83.5	TBD	TBD	3300 / 4950 / 6600*
FRB 575.xx.7.171.D	188	15/16 - 1 1/4	40	25.6	22.6	56.8	7.1	30.4	72.7	82.6	TBD	TBD	5940
FRB 528.xx.7.182.E	200	7/8 - 1 1/4	40	23.4	20.8	59.5	7.1	27.9	74.3	85.4	TBD	TBD	6160
FRB 528.xx.7.200.D	220	7/8 - 1 1/4	50	23.4	20.8	58.8	7.9	27.9	74.3	84.2	TBD	TBD	5280
FRB 575.xx.7.209.D	230	15/16 - 1 1/4	50	25.6	22.6	59.9	7.9	30.3	76.4	87.4	TBD	TBD	6500 7500
FRB 575.xx.7.209.D	230	15/16 - 1 1/4	50	25.6	22.6	59.9	7.9	30.3	76.4	87.5	TBD	TBD	5500 / 7500 / 8500*
FRB 575.xx.7.209.D	230	15/16 - 1 1/4	50	25.6	22.6	59.9	7.9	30.3	76.4	87.5	TBD	TBD	5500 / 7500 / 9500*
FRB 670.xx.7.209.D	230	1 - 1 1/2	50	29.9	26.4	63.1	7.9	34.3	82.2	93.1	TBD	TBD	6500*
FRB 670.xx.7.228.D	250	1 - 1 1/2	50	29.9	26.4	63.1	7.9	34.3	82.2	93.1	TBD	TBD	6500 7700*
FRB 670.xx.7.250.DB	275	1 - 1 1/2	63	29.9	26.4	64.6	8.8	34.3	83.8	99.5	TBD	TBD	10000*
FRB 528.xx.7.272.D	300	7/8 - 1 1/4	63	23.4	20.8	61.8	8.8	27.9	77.2	88.8	TBD	TBD	6450

* Removable cheek weights

Minimum Ultimate Strength = 4 x WLL

- The dimensions in this table are indicative only. A drawing will always be submitted prior to production and will be the leading document when discussing dimensions.
- Blocks shown here are standard models; inquiries for custom versions are welcome.
- Refer to wire rope manufacturers D/d ratio guideline.
- Optional: Hook locking pin.



SEE OUR WARNING & SAFETY INFORMATION