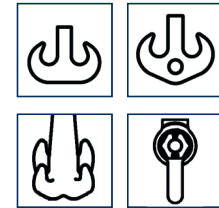
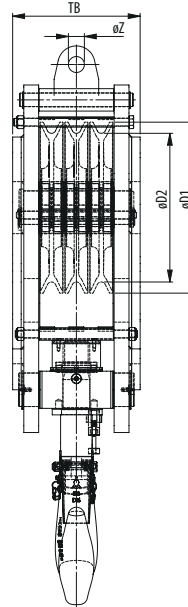
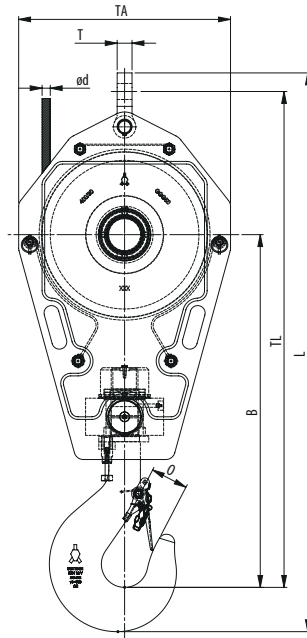


## FAST REEVE CRANE BLOCKS >>

## 3 SHEAVES



anti-rotation hook locking device



Model No.	WLL (UStons)	For wire ød (inch)	Hook size	Dimensions (inch)									Weight (lbs)
				øD1	øD2	B	O	TA	TL	L	T	øZ	
FRB 225.xx.3.20.E	22	3/8 - 1/16	8	10.2	8.9	28.3	3.1	13.6	39.1	44.4	TBD	TBD	410
FRB 260.xx.3.20.E	22	7/16 - 5/8	8	11.8	10.2	28.5	3.1	15.7	40.1	45.4	TBD	TBD	410
FRB 260.xx.3.25.E	27.5	7/16 - 5/8	8	11.8	10.2	27.5	3.1	15.7	39.1	44.4	TBD	TBD	465
FRB 285.xx.3.29.E	32	1/2 - 3/4	8	12.6	11	27.7	3.5	16.5	39.9	45.2	TBD	TBD	460
FRB 320.xx.3.29.E	32	9/16 - 3/4	8	14.4	12.6	30	3.1	17.7	43.1	48.5	TBD	TBD	505
FRB 260.xx.3.32.E	35	7/16 - 5/8	10	11.8	10.2	28.9	3.5	15.7	40.5	46.3	TBD	TBD	465
FRB 285.xx.3.32.E	35	1/2 - 3/4	10	12.6	11	30	3.5	16.5	42.2	48	TBD	TBD	460   505
FRB 320.xx.3.32.E	35	9/16 - 3/4	10	14.4	12.6	32.2	3.5	17.7	45.3	51.1	TBD	TBD	505   625
FRB 320.xx.3.37.E	40	9/16 - 3/4	10	14.4	12.6	32.2	3.5	17.7	45.3	51.1	TBD	TBD	700
FRB 355.xx.3.37.E	40	9/16 - 7/8	10	16.1	14	34	3.5	19.7	48	53.7	TBD	TBD	700   825
FRB 360.xx.3.41.E	45	5/8 - 7/8	12	16.5	14.2	35.4	3.9	20.1	49.3	55.8	TBD	TBD	900
FRB 360.xx.3.46.E	50	5/8 - 7/8	12	16.5	14.2	35.4	3.9	20.1	49.3	55.8	TBD	TBD	900
FRB 400.xx.3.46.E	50	5/8 - 1	12	18.1	15.7	37.3	3.9	22.4	52.1	58.6	TBD	TBD	1000
FRB 360.xx.3.50.E	55	5/8 - 7/8	12	16.5	14.2	35.4	3.9	20.1	49.4	56.3	TBD	TBD	900   1200
FRB 400.xx.3.50.E	55	5/8 - 1	12	18.1	15.7	37.4	3.9	22.4	52.1	59.1	TBD	TBD	1100   1200   1350
FRB 360.xx.3.55.E	60	5/8 - 7/8	12	16.5	14.2	35.4	3.9	20.1	49.3	55.8	TBD	TBD	900   1200
FRB 400.xx.3.55.E	60	5/8 - 1	12	18.1	15.7	37.4	3.9	22.4	52.1	59.1	TBD	TBD	1100   1200   1350



Minimum Ultimate Strength = 4 x WLL

- The dimensions in this table are indicative only. A drawing will always be submitted prior to production and will be the leading document when discussing dimensions.
- Blocks shown here are standard models; inquiries for custom versions are welcome.
- Refer to wire rope manufacturers D/d ratio guideline.
- Optional: Hook locking pin.

**SEE OUR WARNING & SAFETY INFORMATION**