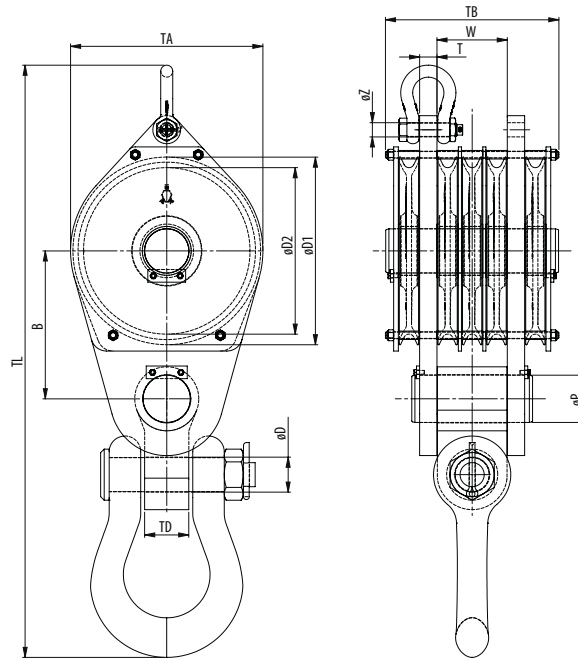
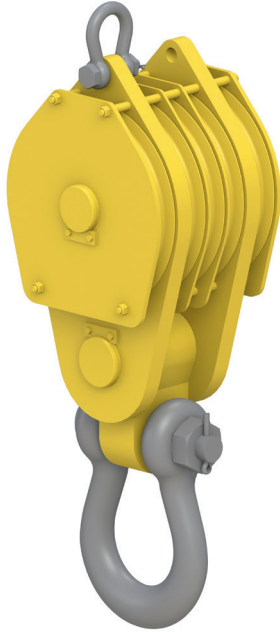


CONSTRUCTION BLOCK WITH SHACKLE

5 SHEAVES



Model No.	WLL (UStons)	For wire ød (inch)	Dimensions (inch)											Weight (lbs)	
			øD1	øD2	B	øD	øP	TD	øZ	T	TA	TB	TL		W
CB 260.xx.5.50	55	1/2 - 5/8	11.8	10.2	10.7	2.7	3.1	2.6	1.1	1.2	12.2	14.8	41.4	5.8	412
CB 320.xx.5.73	80	5/8 - 3/4	14.4	12.6	12.5	3.4	3.9	4.3	1.2	1.4	14.8	16.1	51.7	6.8	713
CB 355.xx.5.95	105	3/4 - 7/8	16.1	14.0	14.1	3.4	5.1	4.3	1.6	1.8	16.5	19.0	57.6	7.8	993
CB 400.xx.5.120	132	3/4 - 1	18.1	15.7	15.3	3.9	5.1	4.7	1.6	1.8	18.5	19.3	64.7	7.8	1352
CB 450.xx.5.145	160	7/8 - 1 1/8	20.3	17.7	16.9	4.4	5.9	5.5	1.8	2.2	20.9	21.7	70.4	8.8	1971
CB 528.xx.5.173	191	7/8 - 1 1/4	23.4	20.8	18.5	4.4	5.9	5.5	1.8	2.2	24.0	21.7	73.5	8.8	2366
CB 575.xx.5.191	210	1 - 1 1/16	25.6	22.6	20.2	5.2	6.7	5.5	2.1	2.4	26.4	25.1	85.0	10.5	3267
CB 630.xx.5.220	243	1 - 1 1/2	28.0	24.8	21.4	5.2	6.7	5.5	2.1	2.4	28.7	25.1	87.4	10.5	3403

Minimum Ultimate Strength = 4 x WLL

- Standard delivered with bronze bearing
- The dimensions in this table are indicative only. A drawing will always be submitted prior production and will be the leading document when discussing dimensions.
- Blocks shown here are standard models; inquiries for custom versions are welcome.
- Refer to wire rope manufacturers D/d ratio guideline.



SEE OUR WARNING & SAFETY INFORMATION

