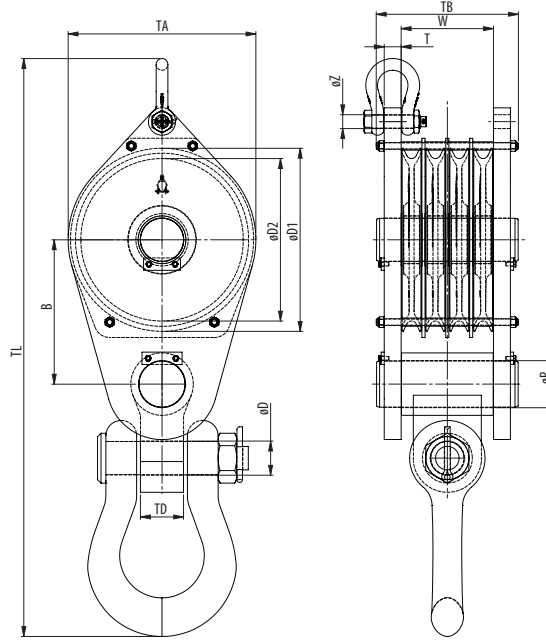
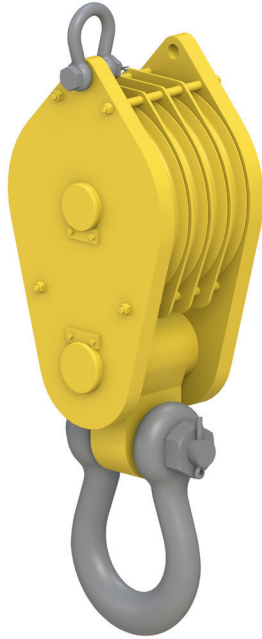


## CONSTRUCTION BLOCK WITH SHACKLE

## 4 SHEAVES



Model No.	WLL (UStons)	For wire ød (inch)	Dimensions (inch)												Weight (lbs)
			øD1	øD2	B	øD	øP	TD	øZ	T	TA	TB	TL	W	
CB 260.xx.4.41	45	1/2 - 5/8	11.8	10.2	10.7	2.4	3.1	2.4	1.1	1.2	12.2	11.9	39.6	7.8	334
CB 320.xx.4.64	70	5/8 - 3/4	14.4	12.6	12.5	2.9	3.9	3.1	1.2	1.4	14.8	12.3	48.0	7.8	554
CB 355.xx.4.82	90	3/4 - 7/8	16.1	14.0	14.1	3.4	5.1	4.3	1.6	1.8	16.5	15.7	57.6	10.5	918
CB 400.xx.4.105	116	3/4 - 1	18.1	15.7	15.3	3.4	5.1	4.3	1.6	1.8	18.5	16.1	59.9	10.5	1109
CB 450.xx.4.127	140	7/8 - 1 1/8	20.3	17.7	16.9	3.9	5.9	4.7	1.8	2.2	20.9	18.2	68.7	11.8	1690
CB 528.xx.4.150	165	7/8 - 1 1/4	23.4	20.8	18.5	4.4	5.9	5.5	1.8	2.2	24.0	18.2	73.5	11.8	2176
CB 575.xx.4.173	191	1 - 1 1/16	25.6	22.6	20.2	4.4	6.7	5.5	2.1	2.4	26.4	21.0	79.1	13.9	2809
CB 630.xx.4.191	210	1 - 1 1/2	28.0	24.8	21.4	5.2	6.7	5.5	2.1	2.4	28.7	21.0	87.4	13.9	3153

Minimum Ultimate Strength = 4 x WLL

- Standard delivered with bronze bearing
- The dimensions in this table are indicative only. A drawing will always be submitted prior production and will be the leading document when discussing dimensions.
- Blocks shown here are standard models; inquiries for custom versions are welcome.
- Refer to wire rope manufacturers D/d ratio guideline.



**SEE OUR WARNING & SAFETY INFORMATION**

