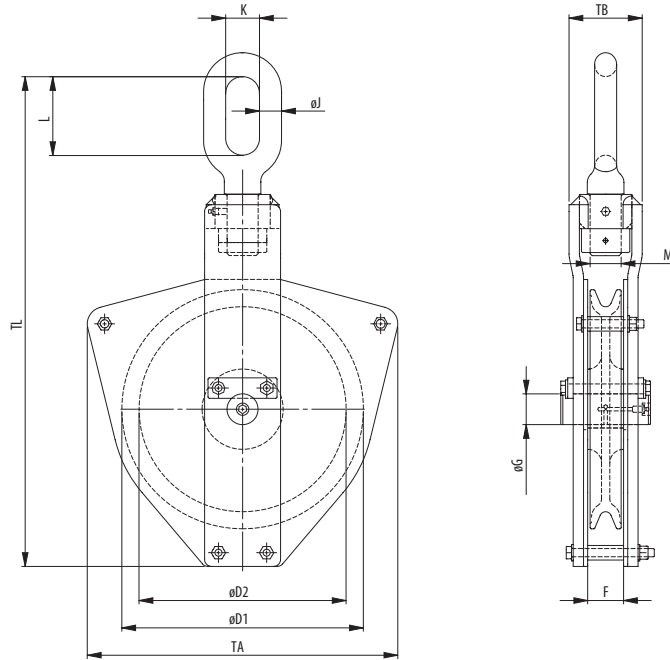
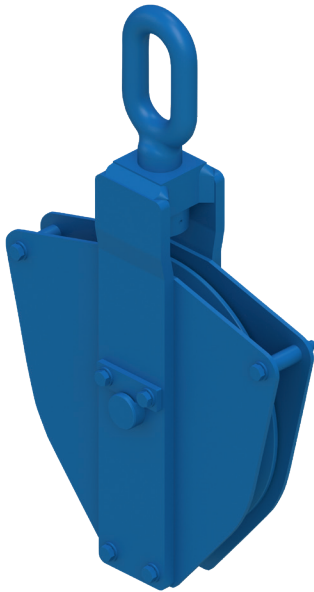


ANCHOR BOOM BLOCKS



Model No.	WLL (UStons)	for wire ød (inch)	Dimensions (inch)											Weight (lbs)	
			øD1	øD2	F	øG	øJ	K	L	M	R	TA	TB		TL
BBA 165.10.1.3.O	3,3	3/8	7.87	6.50	1.57	1.18	0.83	1.26	2.83	1.18	0.22	10.63	9.06	18.31	30
BBA 210.12.1.4.O	4,4	1/2	9.84	8.27	1.77	1.38	1.02	1.57	3.70	1.30	0.26	12.60	11.02	21.89	49
BBA 255.14.1.6.O	6,6	5/16	11.81	10.04	1.97	1.57	1.14	1.77	4.25	1.65	0.30	15.75	14.17	25.71	77
BBA 300.18.1.8.O	8,8	11/16	13.78	11.81	1.77	1.77	1.26	1.93	4.53	1.77	0.37	17.72	15.75	28.11	159
BBA 345.20.1.12.O	13,2	13/16	15.75	13.58	1.97	2.36	1.61	2.36	5.67	2.20	0.43	19.76	17.32	39.92	187
BBA 390.22.1.16.O	17,6	7/8	17.72	15.35	2.36	2.76	1.81	2.60	6.42	2.52	0.47	22.05	20.08	43.07	231
BBA 430.24.1.18.O	19,8	15/16	19.69	16.93	2.76	2.95	2.01	2.83	6.81	2.83	0.51	24.02	20.47	43.19	298
BBA 430.36.1.20.O	22,0	1 7/16	19.69	16.93	2.76	3.15	2.01	2.83	6.81	2.83	0.77	24.41	21.65	43.86	362

Minimum Ultimate Strength = 4 x WLL

WLL= Working Load Limit on head fitting.

- Sheaves standard fitted with bronze bushing.
- Optionally supplied with roller thrust bearing for lifting eye.
- Groove in sheave may be adjusted to other wire rope diameters.



SEE OUR WARNING & SAFETY INFORMATION