



# CRANE BLOCKS & OVERHAUL BALLS

The Ropeblock portfolio includes a wide range of crane blocks with proven quality assured by a track record spanning 25 years. They feature superb finishing and a high degree of flexibility in terms of, e.g., possible weights and wire rope diameters, and hook interchangeability.

- Components include Ropeblock cast sheaves with maintenance free bearings.
- Axial cylindrical roller bearings minimise rotational resistance of the hook.
- Spare parts are readily available from stock.

## RECOMMENDED FINISH

Segment / application	ISO 12944 classification	Classification description	Expected protection duration	DFT (µm)
Construction	C2M	Slightly polluted atmosphere, predominately agriculture areas	5 to 15 year	120
Construction	C3M	Industrial and residential air pollution levels, with an average sulfurdioxide (IV) contamination level. Coastal areas with low salt content in air	2 to 5 year	120
Construction	C3M	Industrial and residential air pollution levels, with an average sulfurdioxide (IV) contamination level. Coastal areas with low salt content in air	5 to 15 year	160
Cargo handling	C3M	Industrial and residential air pollution levels, with an average sulfurdioxide (IV) contamination level. Coastal areas with low salt content in air	5 to 15 year	160
Cargo handling	C4H	Industrial areas and coastal areas with average salt content in air	more than 15 year	280
Cargo handling	C5-MM	Coastal areas and open sea with high salt content in air	5 to 15 year	280
Offshore	C4H	Industrial areas and coastal areas with average salt content in air	more than 15 year	300
Offshore	C5-MM	Coastal areas and open sea with high salt content in air	5 to 15 year	300
Offshore	C5-MH	Coastal areas and open sea with high salt content in air	more than 15 year	320
Offshore	NORSOK sys. 1*	Open sea with high salt content in air	more than 15 year	300



# CONSTRUCTION SPECIFIC BLOCKS

## FAST REEVE CRANE BLOCKS

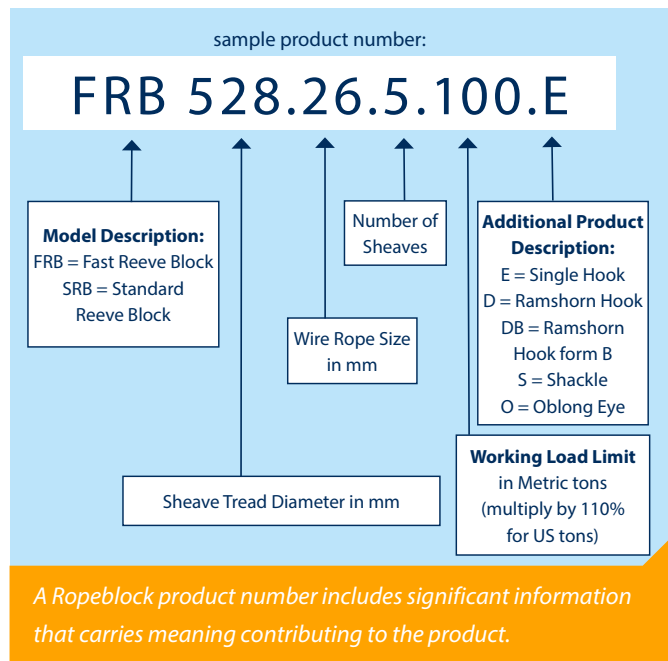
Ropeblock Fast Reeve Crane Blocks are suitable for use on a wide variety of mobile cranes, crawler cranes and other land-based cranes. These blocks are an excellent choice for lifting applications requiring frequent block change.

Standard features include:

- Design factor: 4:1
- Design acc. ASME B30.5, B30.10, B30.26
- Double-sealed maintenance-free roller bearings
- Forged high tensile steel EN/DIN hooks
- Cast sheaves featuring graphite lubricated groove
- High impact-resistant side plates
- Operational temperature range: -40 up to +80°C / -40 up to +176°F
- Lubrication on hook suspension
- 4 or 8 point hook locking device
- Fast reeve guides for fast reeving
- C3M finish in signal yellow with black striping
- Safety latch with locking pin

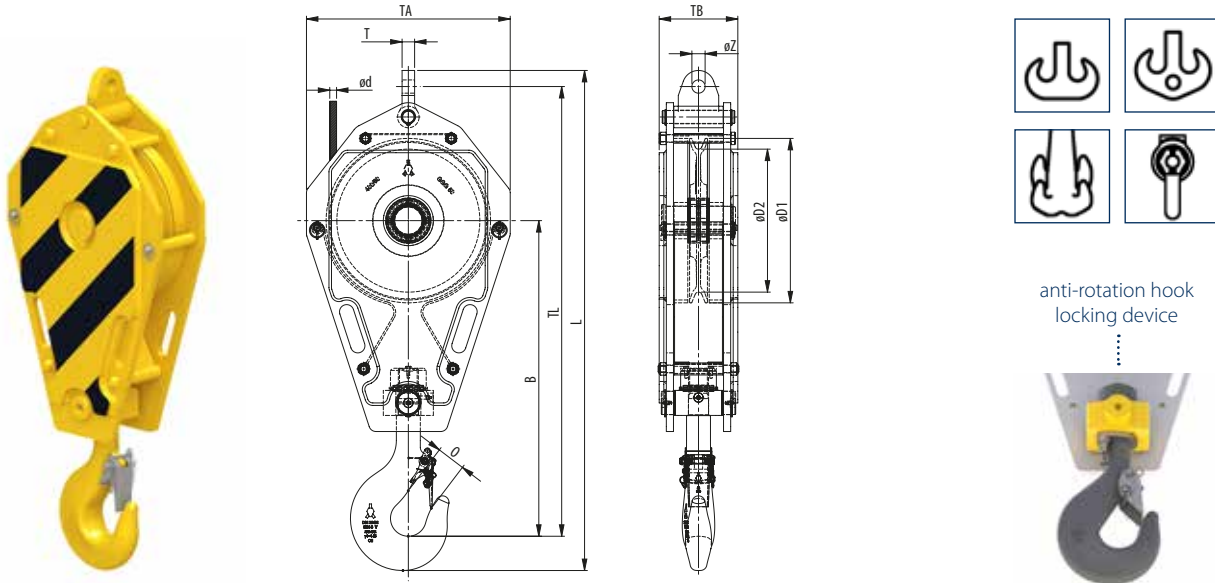
**PLEASE CONTACT US FOR MORE DETAILS**

### THE ANATOMY OF A ROPEBLOCK CRANE BLOCK PRODUCT NUMBER



## FAST REEVE CRANE BLOCKS

## 1 SHEAVE



Model No.	WLL (USTons)	For wire ød (inch)	Hook size	Dimensions (inch)									Weight (lbs)
				øD1	øD2	B	O	TA	TL	L	T	øZ	
FRB 225.xx.1.12.5.E	13.7	3/8 - 1/16	4	10.2	8.9	23.1	2.2	13.6	34	38.2	TBD	TBD	195
FRB 260.xx.1.12.5.E	13.7	7/16 - 5/8	4	11.8	10.2	25.7	2.2	15.7	36.9	41.9	TBD	TBD	220
FRB 225.xx.1.16.E	17.6	3/8 - 1/16	6	10.2	8.9	23.9	2.8	13.6	34.8	39.7	TBD	TBD	225
FRB 260.xx.1.16.E	17.6	7/16 - 5/8	6	11.8	10.2	27.3	2.8	15.7	38.5	43.4	TBD	TBD	265   325   375
FRB 285.xx.1.16.E	17.6	1/2 - 3/4	6	12.6	11.2	28.5	2.8	16.5	40.3	45.2	TBD	TBD	350
FRB 320.xx.1.16.E	17.6	9/16 - 3/4	6	14.4	12.6	28.7	2.8	17.7	41.8	16.8	TBD	TBD	350
FRB 355.xx.1.16.E	17.6	9/16 - 7/8	6	16.1	14	31	2.8	19.7	44.6	49.7	TBD	TBD	500   550
FRB 260.xx.1.20.E	22	7/16 - 5/8	8	11.8	10.2	29.4	3.1	15.7	40.7	46	TBD	TBD	285   375   425
FRB 285.xx.1.20.E	22	1/2 - 3/4	8	12.6	11.2	30.6	3.1	16.5	42.4	47.8	TBD	TBD	350
FRB 320.xx.1.20.E	22	9/16 - 3/4	8	14.4	12.6	30.2	3.1	17.7	43.3	48.7	TBD	TBD	350   425   475
FRB 355.xx.1.20.E	22	9/16 - 7/8	8	16.1	14	33.6	3.1	19.7	47.2	52.5	TBD	TBD	550   660
FRB 355.xx.1.25.E	27.5	9/16 - 7/8	8	16.1	14	33.4	3.1	19.7	47	52.5	TBD	TBD	550   750
FRB 400.xx.1.25.E	27.5	5/8 - 1	8	18.1	15.7	34.8	3.1	22.4	49.5	55.2	TBD	TBD	700   750
FRB 400.xx.1.26.E	28.5	5/8 - 1	8	18.1	15.7	34.8	3.1	22.4	49.5	55.2	TBD	TBD	1100
FRB 400.xx.1.29.E	32	5/8 - 1	8	18.1	15.7	34.8	3.1	22.4	49.9	55.6	TBD	TBD	800
FRB 450.xx.1.29.E	32	3/4 - 1 1/8	8	20.3	17.7	37.3	3.1	23.6	51.4	59.3	TBD	TBD	650   800
FRB 450.xx.1.32.E	35	3/4 - 1 1/8	10	20.3	17.7	39.5	3.5	23.6	56.1	62.7	TBD	TBD	1100   1320
FRB 528.xx.1.32.E	35	7/8 - 1 1/4	10	23.4	20.8	40.5	3.5	28	58.7	65.3	TBD	TBD	1100   1320   1500   1800
FRB 670.xx.1.32.E	35	1 - 1 1/2	10	29.9	26.4	41.3	3.5	34.3	63.3	70.3	TBD	TBD	1700
FRB 450.xx.1.40.E	45	3/4 - 1 1/8	12	20.3	17.7	42.3	3.9	23.6	58.9	65.9	TBD	TBD	1300   1500
FRB 528.xx.1.40.E	45	7/8 - 1 1/4	12	23.4	20.8	43.9	3.9	28	62.7	69.7	TBD	TBD	1500   1700   1875   2000
FRB 450.xx.1.50.E	55	3/4 - 1 1/8	12	20.3	17.7	43.1	3.9	23.6	59.6	67.2	TBD	TBD	1300   1500
FRB 528.xx.1.50.E	55	7/8 - 1 1/4	12	23.4	20.8	43.7	3.9	28	62.6	70.1	TBD	TBD	1500   1700   1875   2000
FRB 575.xx.1.50.E	55	15/16 - 1 1/4	12	25.6	22.6	45	3.9	30.3	64.9	72.9	TBD	TBD	2200
FRB 630.xx.1.50.E	55	1 - 1 3/8	12	27.9	24.8	43.6	3.9	35.4	64.7	72.1	TBD	TBD	1800 / 3500 / 5300*
FRB 670.xx.1.50.E	55	1 - 1 1/2	12	29.9	26.4	44.1	3.9	34.3	66.3	73.7	TBD	TBD	2000   2600   3000
FRB 670.xx.1.64.E	70	1 - 1 1/2	16	29.9	26.4	49.1	4.4	34.3	71.4	79.3	TBD	TBD	2200   2600   3000

\* Removable cheek weights

Minimum Ultimate Strength = 4 x WLL

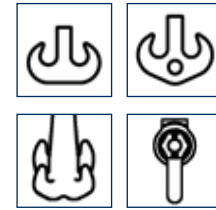
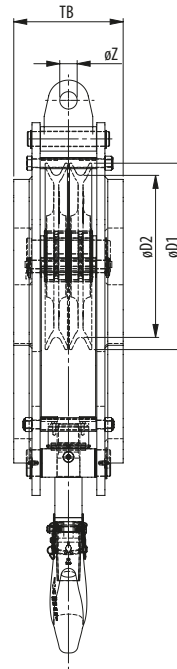
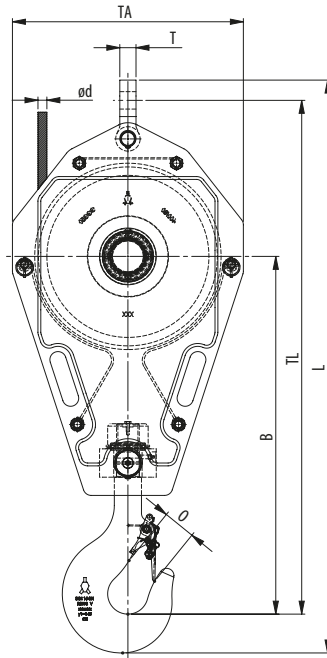
- The dimensions in this table are indicative only. A drawing will always be submitted prior production and will be the leading document when discussing dimensions.
- Blocks shown here are standard models; inquiries for custom versions are welcome.
- Refer to wire rope manufacturers D/d ratio guideline.
- Optional: Hook locking pin.



**SEE OUR WARNING & SAFETY INFORMATION**

## FAST REEVE CRANE BLOCKS

## 2 SHEAVES



anti-rotation hook locking device



Model No.	WLL (UStons)	For wire ød (inch)	Hook size	Dimensions (inch)									Weight (lbs)
				øD1	øD2	B	O	TA	TL	L	T	øZ	
FRB 225.xx.2.16.E	17.6	3/8 - 1/16	6	10.2	8.9	23.9	2.8	13.6	34.8	39.7	TBD	TBD	265
FRB 260.xx.2.16.E	17.6	7/16 - 3/8	6	11.8	10.2	27.3	2.8	15.7	38.5	43.4	TBD	TBD	285   350
FRB 225.xx.2.20.E	22	3/8 - 1/16	8	10.2	8.9	28.3	3.1	13.6	37.7	43.1	TBD	TBD	285
FRB 260.xx.2.20.E	22	7/16 - 3/8	8	11.8	10.2	29.4	3.1	15.7	40.7	46	TBD	TBD	285   350   425
FRB 260.xx.2.25.E	27.5	7/16 - 3/8	8	11.8	10.2	29.3	3.1	15.7	40.5	45.6	TBD	TBD	350   425
FRB 320.xx.2.25.E	27.5	9/16 - 3/4	8	14.4	12.6	30	3.1	17.7	43.1	48.5	TBD	TBD	450   495
FRB 320.xx.2.29.E	32	9/16 - 3/4	8	14.4	12.6	30.1	3.1	17.3	43.1	48.5	TBD	TBD	600
FRB 355.xx.2.29.E	32	9/16 - 7/8	8	16.1	14	33.4	3.1	19.7	47	52.5	TBD	TBD	585   625   750
FRB 400.xx.2.32.E	35	5/8 - 1	10	18.1	15.7	37.5	3.5	22.4	52.7	58.9	TBD	TBD	800
FRB 450.xx.2.32.E	35	3/4 - 1 1/8	10	20.3	17.7	39.5	3.5	23.6	55.7	61.9	TBD	TBD	1100
FRB 450.xx.2.46.E	50	3/4 - 1 1/8	12	20.3	17.7	42.2	3.9	23.6	58.5	65.2	TBD	TBD	1200
FRB 450.xx.2.55.E	60	3/4 - 1 1/8	16	20.3	17.7	42.3	4.4	23.6	58.9	66.5	TBD	TBD	1600
FRB 528.xx.2.55.E	60	7/8 - 1 1/4	12	23.4	20.8	43.8	3.9	27.9	62.6	70.1	TBD	TBD	2000
FRB 670.xx.2.55.E	60	1 - 1 1/2	12	29.9	26.4	44.2	3.9	34.3	67	74.1	TBD	TBD	2080
FRB 528.xx.2.70.E	77	7/8 - 1 1/4	16	23.4	20.8	47.3	4.4	28	65.2	72.8	TBD	TBD	2200
FRB 670.xx.2.82.E	90	1 - 1 1/2	20	29.9	26.4	50.7	4.9	34.3	74.7	83.6	TBD	TBD	3400

Minimum Ultimate Strength = 4 x WLL

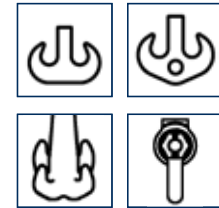
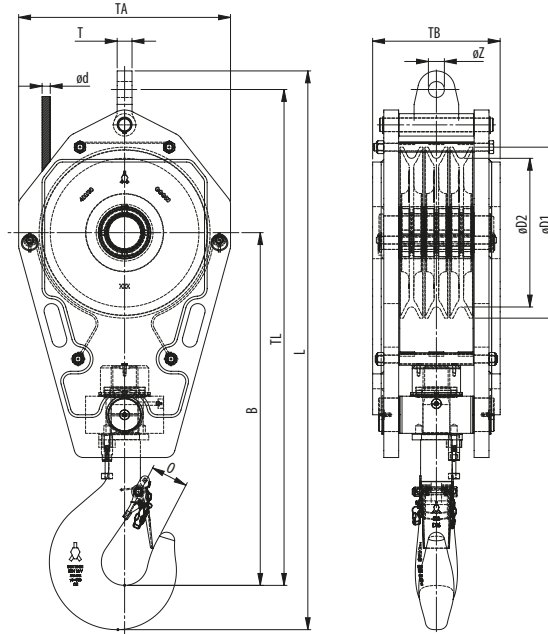
- The dimensions in this table are indicative only. A drawing will always be submitted prior to production and will be the leading document when discussing dimensions.
- Blocks shown here are standard models; inquiries for custom versions are welcome.
- Refer to wire rope manufacturers D/d ratio guideline.
- Optional: Hook locking pin.



**SEE OUR WARNING & SAFETY INFORMATION**

## FAST REEVE CRANE BLOCKS >>

## 3 SHEAVES



anti-rotation hook locking device



Model No.	WLL (UStons)	For wire ød (inch)	Hook size	Dimensions (inch)									Weight (lbs)
				øD1	øD2	B	O	TA	TL	L	T	øZ	
FRB 225.xx.3.20.E	22	3/8 - 1/2	8	10.2	8.9	28.3	3.1	13.6	39.1	44.4	TBD	TBD	410
FRB 260.xx.3.20.E	22	7/16 - 5/8	8	11.8	10.2	28.5	3.1	15.7	40.1	45.4	TBD	TBD	410
FRB 260.xx.3.25.E	27.5	7/16 - 5/8	8	11.8	10.2	27.5	3.1	15.7	39.1	44.4	TBD	TBD	465
FRB 285.xx.3.29.E	32	1/2 - 3/4	8	12.6	11	27.7	3.5	16.5	39.9	45.2	TBD	TBD	460
FRB 320.xx.3.29.E	32	9/16 - 3/4	8	14.4	12.6	30	3.1	17.7	43.1	48.5	TBD	TBD	505
FRB 260.xx.3.32.E	35	7/16 - 5/8	10	11.8	10.2	28.9	3.5	15.7	40.5	46.3	TBD	TBD	465
FRB 285.xx.3.32.E	35	1/2 - 3/4	10	12.6	11	30	3.5	16.5	42.2	48	TBD	TBD	460   505
FRB 320.xx.3.32.E	35	9/16 - 3/4	10	14.4	12.6	32.2	3.5	17.7	45.3	51.1	TBD	TBD	505   625
FRB 320.xx.3.37.E	40	9/16 - 3/4	10	14.4	12.6	32.2	3.5	17.7	45.3	51.1	TBD	TBD	700
FRB 355.xx.3.37.E	40	9/16 - 7/8	10	16.1	14	34	3.5	19.7	48	53.7	TBD	TBD	700   825
FRB 360.xx.3.41.E	45	5/8 - 7/8	12	16.5	14.2	35.4	3.9	20.1	49.3	55.8	TBD	TBD	900
FRB 360.xx.3.46.E	50	5/8 - 7/8	12	16.5	14.2	35.4	3.9	20.1	49.3	55.8	TBD	TBD	900
FRB 400.xx.3.46.E	50	5/8 - 1	12	18.1	15.7	37.3	3.9	22.4	52.1	58.6	TBD	TBD	1000
FRB 360.xx.3.50.E	55	5/8 - 7/8	12	16.5	14.2	35.4	3.9	20.1	49.4	56.3	TBD	TBD	900   1200
FRB 400.xx.3.50.E	55	5/8 - 1	12	18.1	15.7	37.4	3.9	22.4	52.1	59.1	TBD	TBD	1100   1200   1350
FRB 360.xx.3.55.E	60	5/8 - 7/8	12	16.5	14.2	35.4	3.9	20.1	49.3	55.8	TBD	TBD	900   1200
FRB 400.xx.3.55.E	60	5/8 - 1	12	18.1	15.7	37.4	3.9	22.4	52.1	59.1	TBD	TBD	1100   1200   1350



Minimum Ultimate Strength = 4 x WLL

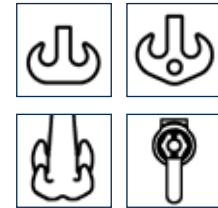
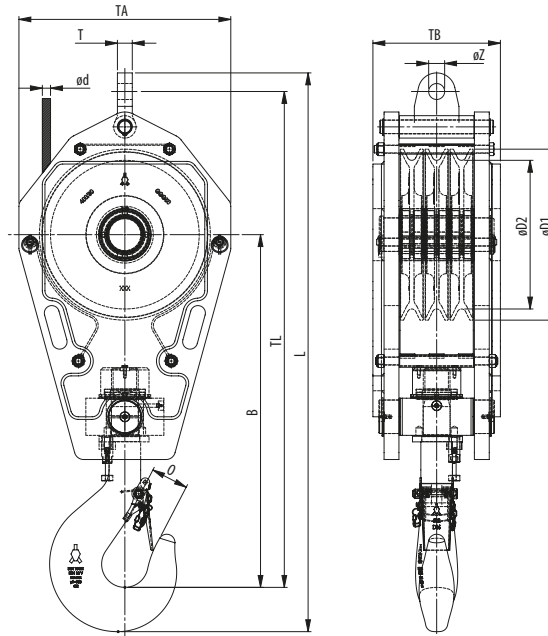
- The dimensions in this table are indicative only. A drawing will always be submitted prior to production and will be the leading document when discussing dimensions.
- Blocks shown here are standard models; inquiries for custom versions are welcome.
- Refer to wire rope manufacturers D/d ratio guideline.
- Optional: Hook locking pin.



**SEE OUR WARNING & SAFETY INFORMATION**

## << FAST REEVE CRANE BLOCKS

## 3 SHEAVES



anti-rotation hook locking device



Model No.	WLL (UStons)	For wire ød (inch)	Hook size	Dimensions (inch)									Weight (lbs)
				øD1	øD2	B	O	TA	TL	L	T	øZ	
FRB 400.xx.3.63.E	69	5/8 - 1	16	18.1	15.7	37.4	4.4	22.4	52.1	59.1	TBD	TBD	1350
FRB 450.xx.3.64.E	70	3/4 - 1 1/8	16	20.3	17.7	40.9	4.4	23.6	57.2	64.8	TBD	TBD	1500   1700
FRB 450.xx.3.70.E	77	3/4 - 1 1/8	16	20.3	17.7	41.1	4.4	23.6	57.4	64.6	TBD	TBD	1500   1700   1800
FRB 528.xx.3.70.E	77	7/8 - 1 1/4	16	23.4	20.8	47.6	4.4	28	65.9	73.5	TBD	TBD	2350
FRB 450.xx.3.82.E	90	3/4 - 1 1/8	20	20.3	17.7	46.5	4.9	23.6	62.8	70.7	TBD	TBD	1800   2200
FRB 528.xx.3.82.E	90	7/8 - 1 1/4	20	23.4	20.8	50.1	4.9	28	68.3	76.6	TBD	TBD	2500   2800
FRB 630.xx.3.82.E	90	1 - 1 3/8	20	27.9	24.8	53.7	4.9	32.7	74.1	82.1	TBD	TBD	3600
FRB 528.xx.3.100.E	110	7/8 - 1 1/4	20	23.4	20.8	50.1	4.9	28	68.3	76.6	TBD	TBD	2500   2800
FRB 528.xx.3.100.E	110	7/8 - 1 1/4	25	23.4	20.8	53.7	5.5	28	71.9	80.9	TBD	TBD	2860   3000
FRB 575.xx.3.100.E	110	1 1/16 - 1 1/4	25	25.6	22.6	51.3	5.5	30.3	71.2	80.6	TBD	TBD	3000
FRB 575.xx.3.100.E	110	1 1/16 - 1 1/4	25	25.6	22.6	51.3	5.5	30.3	71.2	80.6	TBD	TBD	2425 / 4520 / 6620*
FRB 630.xx.3.100.E	110	1 - 1 3/8	25	27.9	24.8	53.3	5.5	32.7	74.4	83.9	TBD	TBD	2425 / 4520 / 6620*
FRB 630.xx.3.100.E	110	1 - 1 3/8	25	27.9	24.8	53.3	5.5	32.7	74.4	83.9	TBD	TBD	3500
FRB 670.xx.3.100.E	110	1 - 1 1/2	25	29.9	26.4	55.2	5.5	34.3	77.5	87	TBD	TBD	4000 / 14000*
FRB 630.xx.3.125.E	137,5	1 - 1 3/8	25	27.9	24.8	55.4	5.5	35.4	77.7	88	TBD	TBD	3300 / 12100*
FRB 670.xx.3.137.E	150	1 - 1 1/2	25	29.9	26.4	54.6	5.5	34.3	73.8	83.2	TBD	TBD	8100 / 16000*

\* Removable cheek weights

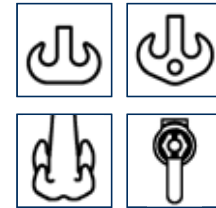
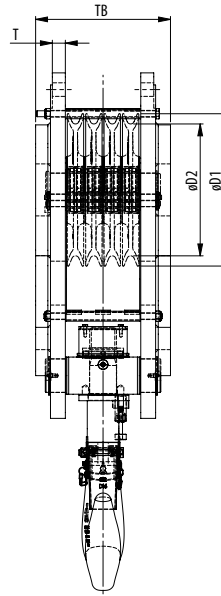
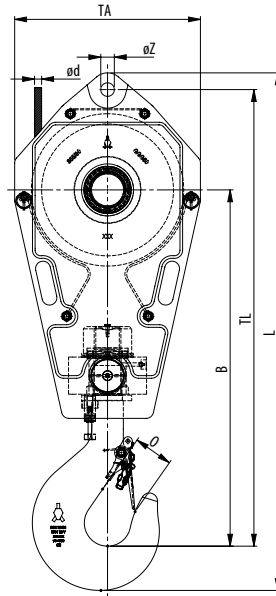
Minimum Ultimate Strength = 4 x WLL

- The dimensions in this table are indicative only. A drawing will always be submitted prior to production and will be the leading document when discussing dimensions.
- Blocks shown here are standard models; inquiries for custom versions are welcome.
- Refer to wire rope manufacturers D/d ratio guideline.
- Optional: Hook locking pin.



## FAST REEVE CRANE BLOCKS

## 4 SHEAVES



anti-rotation hook locking device



Model No.	WLL (UStons)	For wire ød (inch)	Hook size	Dimensions (inch)									Weight (lbs)
				øD1	øD2	B	O	TA	TL	L	T	øZ	
FRB 355.xx.4.35.E	38.5	5/16 - 7/8	10	16.1	14	36.7	3.5	19.7	47.4	53.1	TBD	TBD	925
FRB 320.xx.4.37.E	40	5/16 - 3/4	10	14.4	12.6	29.6	3.5	17.7	39	44.8	TBD	TBD	700
FRB 355.xx.4.37.E	40	5/16 - 7/8	10	16.1	14	34	3.5	19.7	44.6	50.4	TBD	TBD	620
FRB 320.xx.4.41.E	45	5/16 - 3/4	12	14.4	12.6	34.6	3.9	17.7	43.9	50.2	TBD	TBD	760
FRB 355.xx.4.46.E	50	5/16 - 7/8	12	16.1	14	37.7	3.9	19.7	48.1	54.2	TBD	TBD	1000
FRB 355.xx.4.55.E	60	5/16 - 7/8	12	16.1	14	37.8	3.9	19.7	48.4	54.8	TBD	TBD	1100
FRB 400.xx.4.70.E	77	5/8 - 1	16	18.1	15.7	40.9	4.4	22.4	52.5	57.7	TBD	TBD	1500
FRB 450.xx.4.70.E	77	3/4 - 1 1/8	16	20.3	17.7	40.9	4.4	23.6	57	62.2	TBD	TBD	1650   1800
FRB 528.xx.4.70.E	77	7/8 - 1 1/4	16	23.4	20.8	42.7	4.4	27.9	57.7	65.1	TBD	TBD	2800
FRB 528.xx.4.82.E	90	7/8 - 1 1/4	20	23.4	20.8	50.1	4.9	28	68.3	74.3	TBD	TBD	2800
FRB 528.xx.4.100.E	110	7/8 - 1 1/4	25	23.4	20.8	50.7	5.5	28	68.6	75.3	TBD	TBD	2800
FRB 528.xx.4.105.E	115	7/8 - 1 1/4	25	23.4	20.8	52.1	5.5	28	67.6	77.1	TBD	TBD	3850
FRB 528.xx.4.137,5.E	150	7/8 - 1 1/4	32	23.4	20.8	54.6	6.3	28	69.8	79.9	TBD	TBD	3150
FRB 575.xx.4.137,5.E	150	1 1/16 - 1 1/4	32	25.6	22.6	55.6	6.3	30.3	72.2	82.1	TBD	TBD	3000
FRB 670.xx.4.137,5.E	150	1 - 1 1/2	32	29.9	26.4	56.7	6.3	34.3	75.7	86	TBD	TBD	3200

Minimum Ultimate Strength = 4 x WLL

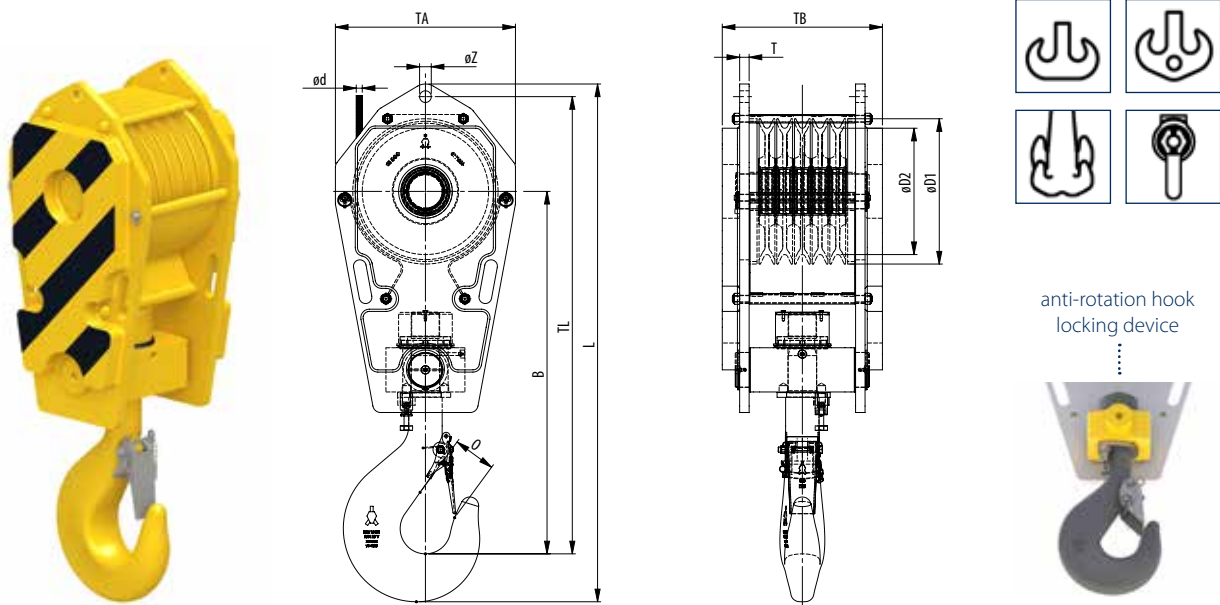
- The dimensions in this table are indicative only. A drawing will always be submitted prior to production and will be the leading document when discussing dimensions.
- Blocks shown here are standard models; inquiries for custom versions are welcome.
- Refer to wire rope manufacturers D/d ratio guideline.
- Optional: Hook locking pin.



**SEE OUR WARNING & SAFETY INFORMATION**

## FAST REEVE CRANE BLOCKS >>

## 5 SHEAVES



Model No.	WLL (UStons)	For wire ød (inch)	Hook size	Dimensions (inch)									Weight (lbs)
				øD1	øD2	B	O	TA	TL	L	T	øZ	
FRB 355.xx.5.55.E	60	5/16 - 7/8	12	16.1	14	37.8	3.9	19.7	48.2	52.8	TBD	TBD	1100   1280
FRB 360.xx.5.64.E	70	5/8 - 7/8	16	16.5	14.2	39.3	4.4	20.1	49.9	56.8	TBD	TBD	1340   1550
FRB 360.xx.5.70.E	77	5/8 - 7/8	16	16.5	14.2	39.3	4.4	20.1	49.9	56.8	TBD	TBD	1340   1550
FRB 360.xx.5.72.E	80	5/8 - 7/8	16	16.5	14.2	39.6	4.4	20.1	50.2	57.1	TBD	TBD	1340   1550
FRB 400.xx.5.82.E	90	5/8 - 1	20	18.1	15.7	45.2	4.9	22.4	57	62.9	TBD	TBD	1477   1540   1600   1800
FRB 400.xx.5.91.E	100	5/8 - 1	20	18.1	15.7	45.2	4.9	22.4	57	65.2	TBD	TBD	2250
FRB 450.xx.5.91.E	100	3/4 - 1 1/8	20	20.3	17.7	46.7	4.9	23.6	59.9	67.9	TBD	TBD	2250
FRB 400.xx.5.95.E	105	5/8 - 1	20	18.1	15.7	40.7	4.9	22.4	53.1	59.9	TBD	TBD	2250   2870
FRB 400.xx.5.100.E	110	5/8 - 1	20	18.1	15.7	40.7	4.9	22.4	53.1	59.9	TBD	TBD	2250
FRB 450.xx.5.100.E	110	3/4 - 1 1/8	25	20.3	17.7	49.7	5.5	23.6	62.9	69.6	TBD	TBD	1900   2200   2250   2510
FRB 528.xx.5.100.E	110	7/8 - 1 1/4	25	23.4	20.8	49.9	5.5	28	65.9	74.6	TBD	TBD	2500   2800
FRB 528.xx.5.100.E	110	7/8 - 1 1/4	25	23.4	20.8	50.9	5.5	31.1	66	75.1	TBD	TBD	2860 / 3960 / 5060*
FRB 575.xx.5.100.D	110	1 1/4 - 1 1/4	25	25.6	22.6	33.7	5.5	30.3	70.2	78.4	TBD	TBD	2860 / 3960 / 5060*
FRB 528.xx.5.119.E	130	7/8 - 1 1/4	25	23.4	20.8	52.1	5.5	27.9	67.6	76.6	TBD	TBD	3300
FRB 450.xx.5.125.D	137.5	3/4 - 1 1/8	32	20.3	17.7	50.7	6.3	23.6	63.7	72.1	TBD	TBD	3630

\* Removable cheek weights

Minimum Ultimate Strength = 4 x WLL

- The dimensions in this table are indicative only. A drawing will always be submitted prior to production and will be the leading document when discussing dimensions.
- Blocks shown here are standard models; inquiries for custom versions are welcome.
- Refer to wire rope manufacturers D/d ratio guideline.
- Optional: Hook locking pin.



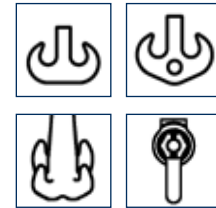
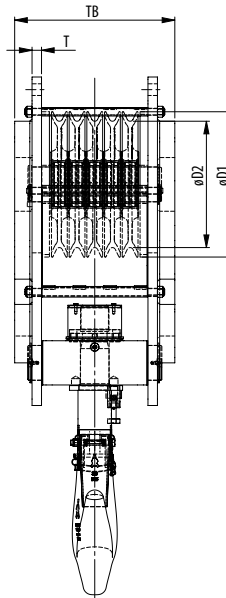
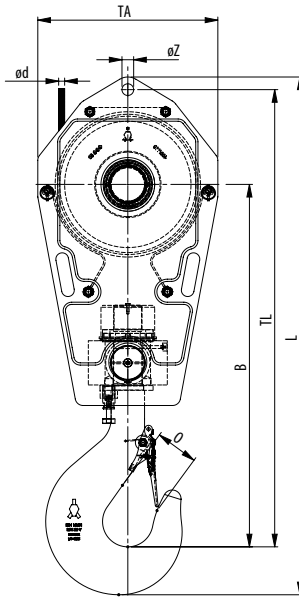
**SEE OUR WARNING & SAFETY INFORMATION**





## << FAST REEVE CRANE BLOCKS

## 5 SHEAVES



anti-rotation hook locking device



Model No.	WLL (USTons)	For wire ød (inch)	Hook size	Dimensions (inch)										Weight (lbs)
				øD1	øD2	B	O	TA	TL	L	T	øZ		
FRB 528.xx.5.125.E	137.5	7/8 - 1¼	32	23.4	20.8	52.5	6.3	28	67.8	75.3	TBD	TBD	3500   3960	
FRB 450.xx.5.137.D	150	¾ - 1⅛	32	20.3	17.7	50.8	6.3	23.6	64.6	72	TBD	TBD	3630	
FRB 528.xx.5.137.E	150	7/8 - 1¼	32	23.4	20.8	54.4	6.3	28	69.8	79.7	TBD	TBD	3500	
FRB 670.xx.5.137.D	150	1 - 1½	32	29.9	26.4	56.6	6.3	34.3	75.7	85.3	TBD	TBD	6000*	
FRB 630.xx.5.150.E	165	1 - 1⅜	32	27.9	24.8	58.8	6.3	32.7	77.9	85.4	TBD	TBD	4600 / 6100*	
FRB 528.xx.5.160.E	176	7/8 - 1¼	40	23.4	20.8	59.1	7.1	28	77.9	86.3	TBD	TBD	4000   4500	
FRB 575.xx.5.160.E	176	1⅝ - 1¼	40	25.6	22.6	62.6	7.1	30.3	79.2	87.5	TBD	TBD	5500	
FRB 630.xx.5.160.D	176	1 - 1⅜	40	27.9	24.8	57.6	7.1	32.7	75.3	85.4	TBD	TBD	5500	
FRB 670.xx.5.160.E	176	1 - 1½	40	29.9	26.4	62.6	7.1	34.3	81.1	92	TBD	TBD	6000*	
FRB 528.xx.5.182.D	200	7/8 - 1¼	40	23.4	20.8	58.1	7.1	27.9	73.4	86.5	TBD	TBD	3860	
FRB 575.xx.5.182.D	200	1⅝ - 1¼	40	25.6	22.6	62.6	7.1	30.3	79.2	90.2	TBD	TBD	5500	
FRB 630.xx.5.182.E	200	1 - 1⅜	40	27.9	24.8	62.3	7.1	32.7	79.4	89.8	TBD	TBD	5500	
FRB 670.xx.5.182.D	200	1 - 1½	40	29.9	26.4	67.6	7.1	34.3	86.9	96.1	TBD	TBD	6000*	
FRB 630.xx.5.200.D	220	1 - 1⅜	50	27.9	24.8	63.9	7.9	35.4	86.1	96.8	TBD	TBD	5000 up to 15400*	

\* Removable cheek weights

Minimum Ultimate Strength = 4 x WLL

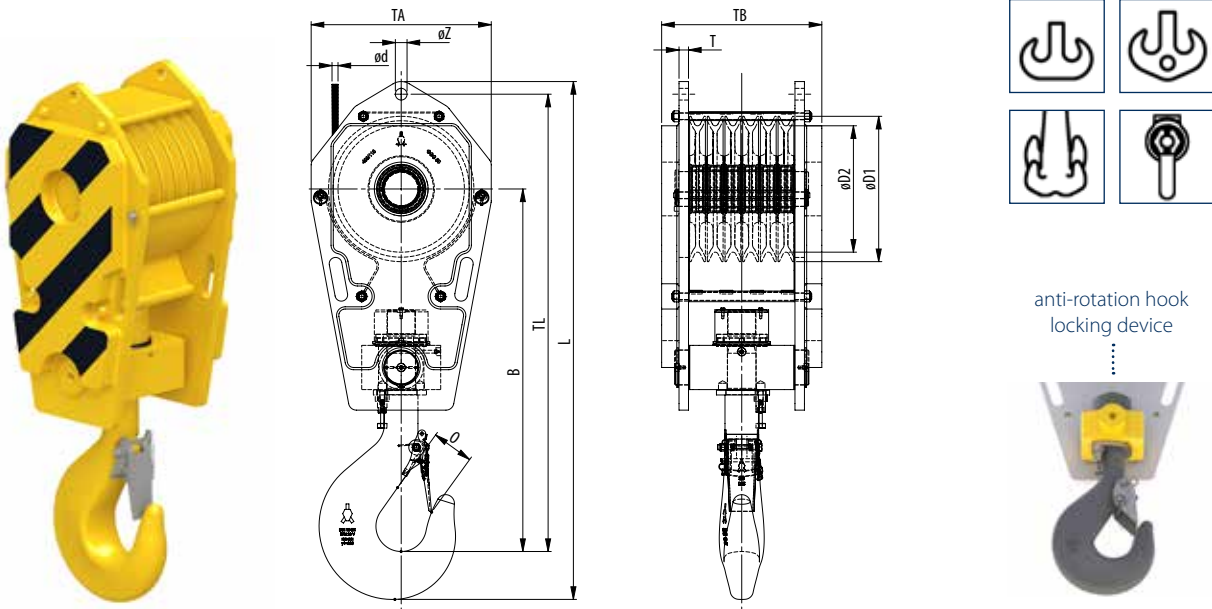
- The dimensions in this table are indicative only. A drawing will always be submitted prior to production and will be the leading document when discussing dimensions.
- Blocks shown here are standard models; inquiries for custom versions are welcome.
- Refer to wire rope manufacturers D/d ratio guideline.
- Optional: Hook locking pin.



**SEE OUR WARNING & SAFETY INFORMATION**

## FAST REEVE CRANE BLOCKS

## 6 SHEAVES



Model No.	WLL (UStons)	For wire ød (inch)	Hook size	Dimensions (inch)									Weight (lbs)
				øD1	øD2	B	O	TA	TL	L	T	øZ	
FRB 355.xx.6.55.E	55	9/16 - 7/8	12	16.1	14	35.8	3.9	19.7	46	52.4	TBD	TBD	1496
FRB 360.xx.6.64.E	70	5/8 - 7/8	16	16.5	14.2	38.3	4.4	20.1	48.9	50.3	TBD	TBD	1495
FRB 400.xx.6.64.E	70	5/8 - 1	16	18.1	15.7	41.9	4.4	22.4	53.7	60.5	TBD	TBD	1700
FRB 400.xx.6.82.E	90	5/8 - 1	20	18.1	15.7	45.2	4.9	22.4	57	62.9	TBD	TBD	1800
FRB 450.xx.6.82.E	90	3/4 - 1 1/8	20	20.3	17.7	46.7	4.9	23.6	62.2	68.1	TBD	TBD	2000
FRB 400.xx.6.91.E	100	5/8 - 1	20	18.1	15.7	44.6	4.9	22.4	56.4	64	TBD	TBD	2200
FRB 450.xx.6.100.E	110	3/4 - 1 1/8	25	20.3	17.7	49.7	5.5	23.6	62.9	69.6	TBD	TBD	2500
FRB 528.xx.6.100.E	110	7/8 - 1 1/4	25	23.4	20.8	50.1	5.5	28	64.9	73.4	TBD	TBD	2500
FRB 450.xx.6.120.E	132	3/4 - 1 1/8	25	20.3	17.7	47.9	5.5	22.4	59.8	68.1	TBD	TBD	2200
FRB 528.xx.6.137.E	150	7/8 - 1 1/4	32	23.4	20.8	52.5	6.3	28	67.8	77.8	TBD	TBD	3500
FRB 528.xx.6.150.E	165	7/8 - 1 1/4	40	23.5	20.8	61.1	7.1	28	79.5	87.9	TBD	TBD	4000
FRB 528.xx.6.160.E	176	7/8 - 1 1/4	40	23.5	20.8	62.2	7.1	28	77.8	86.1	TBD	TBD	4500   5000
FRB 528.xx.6.182.E	200	7/8 - 1 1/4	40	23.5	20.8	63	7.1	28	79.5	87.9	TBD	TBD	4500
FRB 575.xx.6.182.E	200	1 5/16 - 1 1/4	40	25.6	22.6	61.1	7.1	30.3	77.4	88.4	TBD	TBD	4500   5500
FRB 670.xx.6.182.E	200	1 - 1 1/2	40	29.9	26.4	61.7	7.1	34.3	80.2	90.2	TBD	TBD	5500
FRB 528.xx.6.200.E	220	7/8 - 1 1/4	50	23.5	20.8	63	7.9	28	79.5	87.9	TBD	TBD	5500
FRB 575.xx.6.209.E	230	1 5/16 - 1 1/4	50	25.6	22.6	65.4	7.9	30.3	81.9	91.2	TBD	TBD	6500

Minimum Ultimate Strength = 4 x WLL

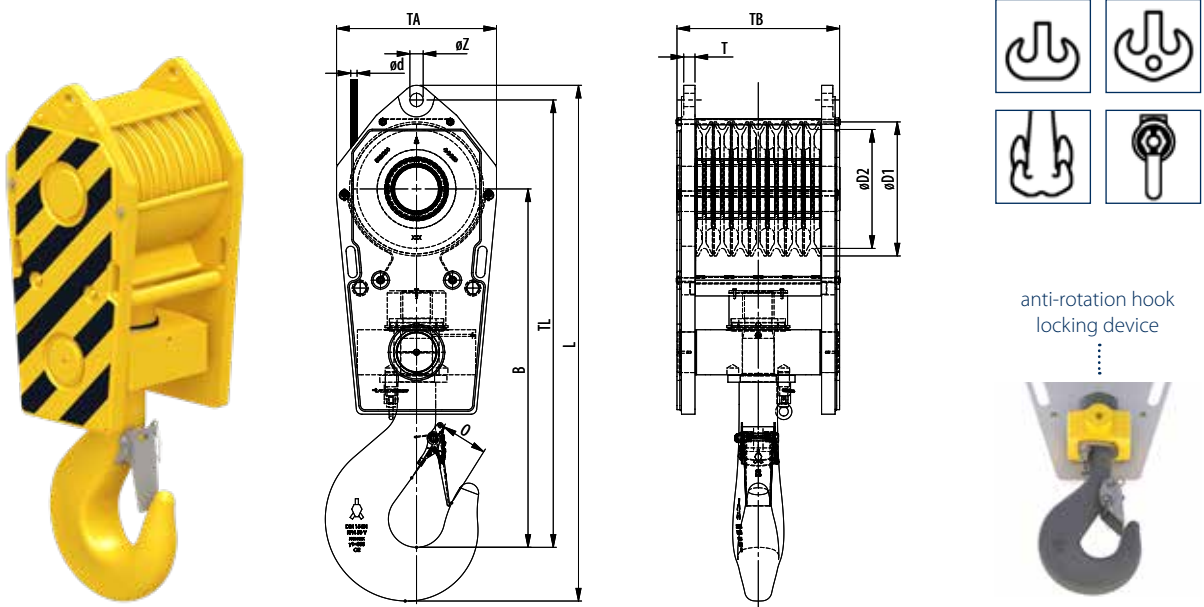
- The dimensions in this table are indicative only. A drawing will always be submitted prior to production and will be the leading document when discussing dimensions.
- Blocks shown here are standard models; inquiries for custom versions are welcome.
- Refer to wire rope manufacturers D/d ratio guideline.
- Optional: Hook locking pin.



**SEE OUR WARNING & SAFETY INFORMATION**

## FAST REEVE CRANE BLOCKS

## 7 SHEAVES



Model No.	WLL (USTons)	For wire ød (inch)	Hook size	Dimensions (inch)									Weight (lbs)
				øD1	øD2	B	O	TA	TL	L	T	øZ	
FRB 355.xx.7.75.E	82.5	5/16 - 7/8	16	16.1	14	39.2	4.4	18.9	49.8	56.8	TBD	TBD	1600
FRB 400.xx.7.100.E	110	5/8 - 1	20	18.1	15.7	43.6	4.9	22.4	55.6	63.4	TBD	TBD	2400
FRB 400.xx.7.118.E	130	5/8 - 1	25	18.1	15.7	48.9	5.5	22.4	60.9	69.4	TBD	TBD	2400
FRB 400.xx.7.127.D	140	5/8 - 1	32	18.1	15.7	47.8	6.3	22.4	59.8	68.3	TBD	TBD	2850
FRB 450.xx.7.127.E	140	3/4 - 1 1/8	32	20.3	17.7	54.3	6.3	23.6	67.4	76.9	TBD	TBD	3150
FRB 450.xx.7.137.E	150	3/4 - 1 1/8	32	20.3	17.7	54.3	6.3	23.6	67.4	76.9	TBD	TBD	3100
FRB 450.xx.7.160.D	176	3/4 - 1 1/8	40	20.3	17.7	58.2	7.1	23.6	71.4	80.8	TBD	TBD	3930
FRB 528.xx.7.160.D	176	7/8 - 1 1/4	40	23.4	20.8	58.6	7.1	31.1	73.9	83.5	TBD	TBD	3300 / 4950 / 6600*
FRB 575.xx.7.171.D	188	15/16 - 1 1/4	40	25.6	22.6	56.8	7.1	30.4	72.7	82.6	TBD	TBD	5940
FRB 528.xx.7.182.E	200	7/8 - 1 1/4	40	23.4	20.8	59.5	7.1	27.9	74.3	85.4	TBD	TBD	6160
FRB 528.xx.7.200.D	220	7/8 - 1 1/4	50	23.4	20.8	58.8	7.9	27.9	74.3	84.2	TBD	TBD	5280
FRB 575.xx.7.209.D	230	15/16 - 1 1/4	50	25.6	22.6	59.9	7.9	30.3	76.4	87.4	TBD	TBD	6500   7500
FRB 575.xx.7.209.D	230	15/16 - 1 1/4	50	25.6	22.6	59.9	7.9	30.3	76.4	87.5	TBD	TBD	5500 / 7500 / 8500*
FRB 575.xx.7.209.D	230	15/16 - 1 1/4	50	25.6	22.6	59.9	7.9	30.3	76.4	87.5	TBD	TBD	5500 / 7500 / 9500*
FRB 670.xx.7.209.D	230	1 - 1 1/2	50	29.9	26.4	63.1	7.9	34.3	82.2	93.1	TBD	TBD	6500*
FRB 670.xx.7.228.D	250	1 - 1 1/2	50	29.9	26.4	63.1	7.9	34.3	82.2	93.1	TBD	TBD	6500   7700*
FRB 670.xx.7.250.DB	275	1 - 1 1/2	63	29.9	26.4	64.6	8.8	34.3	83.8	99.5	TBD	TBD	10000*
FRB 528.xx.7.272.D	300	7/8 - 1 1/4	63	23.4	20.8	61.8	8.8	27.9	77.2	88.8	TBD	TBD	6450

\* Removable cheek weights

Minimum Ultimate Strength = 4 x WLL

- The dimensions in this table are indicative only. A drawing will always be submitted prior to production and will be the leading document when discussing dimensions.
- Blocks shown here are standard models; inquiries for custom versions are welcome.
- Refer to wire rope manufacturers D/d ratio guideline.
- Optional: Hook locking pin.

**SEE OUR WARNING & SAFETY INFORMATION**



# CONSTRUCTION SPECIFIC BLOCKS

## STANDARD REEVE CRANE BLOCKS

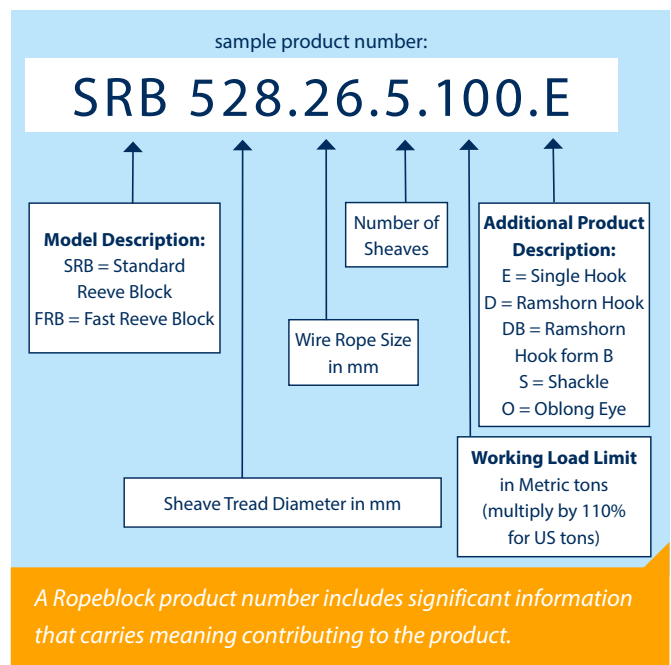
Ropeblock Standard Reeve Crane Blocks are suitable for use on a wide variety of mobile cranes, crawler cranes and other land-based cranes. These blocks are an excellent choice when frequent easy block change is not a required main feature, or lifting height is limited.

Standard features include:

- Design factor: 4:1
- Design acc. ASME B30.5, B30.10, B30.26
- Double-sealed maintenance-free roller bearings
- Forged high tensile steel DIN hooks
- Cast sheaves featuring graphite lubricated groove
- High impact-resistant side plates
- Operational temperature range: -40 up to +80°C / -40 up to +176°F
- Lubrication on hook suspension
- Short design for increased lifting height
- C3M finish in signal yellow
- Safety latch with locking pin

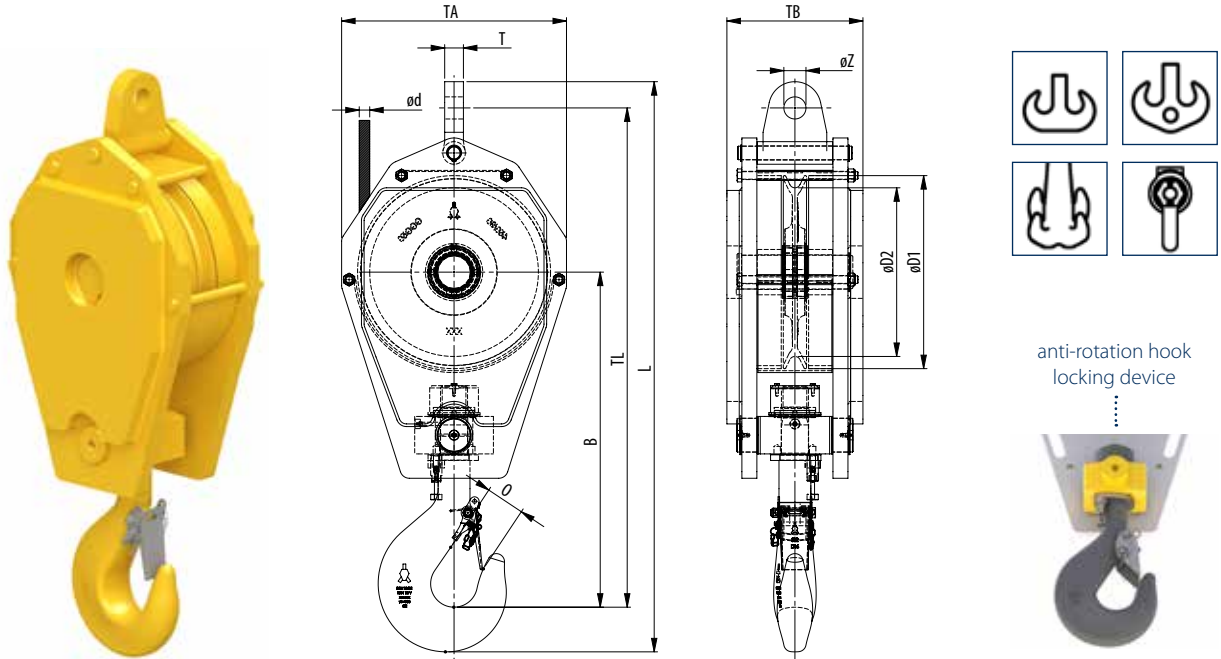
**PLEASE CONTACT US FOR MORE DETAILS**

### THE ANATOMY OF A ROPEBLOCK CRANE BLOCK PRODUCT NUMBER



## STANDARD REEVE CRANE BLOCKS

## 1 SHEAVE



Model No.	WLL (UStons)	For wire ød (inch)	Hook size	Dimensions (inch)									Weight (lbs)
				øD1	øD2	B	O	TA	TL	L	T	øZ	
SRB 225.xx.1.12,5.E	13.7	3/8 - 9/16	5	10.2	8.9	20.6	2.5	13.6	31.4	35.9	TBD	TBD	165
SRB 260.xx.1.12,5.E	13.7	7/16 - 5/8	5	11.8	10.2	21.6	2.5	15.7	32.8	37.3	TBD	TBD	240
SRB 225.xx.1.16.E	17.6	3/8 - 9/16	6	10.2	8.9	21.6	2.5	13.6	32.4	36.9	TBD	TBD	220
SRB 260.xx.1.16.E	17.6	7/16 - 5/8	6	11.8	10.2	21.6	2.5	15.7	32.8	37.3	TBD	TBD	240
SRB 285.xx.1.16.E	17.6	1/2 - 3/4	6	12.6	11	23.9	2.8	16.5	35.7	40.7	TBD	TBD	350
SRB 320.xx.1.16.E	17.6	9/16 - 3/4	6	14.4	12.6	24.7	2.8	17.7	37.4	42.6	TBD	TBD	350
SRB 355.xx.1.16.E	17.6	9/16 - 7/8	6	16.1	14	26.3	2.8	19.7	39.9	44.8	TBD	TBD	400
SRB 320.xx.1.20.E	22	9/16 - 3/4	8	14.4	12.6	27.1	3.1	17.7	39.8	45.4	TBD	TBD	350
SRB 355.xx.1.20.E	22	9/16 - 7/8	8	16.1	14	28.1	3.1	19.7	41.5	47.4	TBD	TBD	550
SRB 450.xx.1.25.E	27.5	3/4 - 1 1/8	8	20.3	17.7	30.3	3.1	23.6	46.8	52.9	TBD	TBD	435
SRB 528.xx.1.28.E	30	7/8 - 1 1/4	8	23.5	20.8	33	3.1	27.9	52	58.6	TBD	TBD	600
SRB 400.xx.1.29.E	32	5/8 - 1	8	18.1	15.7	29.3	3.1	22.4	44.4	50.1	TBD	TBD	640
SRB 450.xx.1.32.E	35	3/4 - 1 1/8	10	20.3	17.7	32.8	3.5	23.6	49.4	56	TBD	TBD	1000   1100
SRB 528.xx.1.32.E	35	7/8 - 1 1/4	10	23.5	20.8	35.4	3.5	28	53.6	60.2	TBD	TBD	1100   1400   2000
SRB 450.xx.1.40.E	45	3/4 - 1 1/8	12	20.3	17.7	42.3	3.9	23.6	58.5	65.6	TBD	TBD	1300
SRB 450.xx.1.50.E	55	3/4 - 1 1/8	12	20.3	17.7	36.1	3.9	23.8	52.7	59.7	TBD	TBD	1300
SRB 528.xx.1.50.E	55	7/8 - 1 1/4	12	23.5	20.8	36.8	3.9	28	55.6	63.1	TBD	TBD	1650
SRB 575.xx.1.50.E	55	15/16 - 1 1/4	12	25.6	22.6	37.7	3.9	30.3	57.4	65.4	TBD	TBD	2045
SRB 630.xx.1.64.E	70	1 - 1 3/8	16	28.3	24.8	38.8	4.4	32.5	59.9	68	TBD	TBD	2200
SRB 670.xx.1.64.E	70	1 - 1 1/2	16	29.9	26.4	46.2	4.4	34.3	68.4	76.6	TBD	TBD	3000

Minimum Ultimate Strength = 4 x WLL

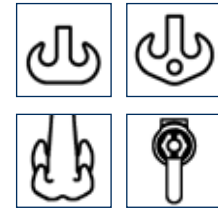
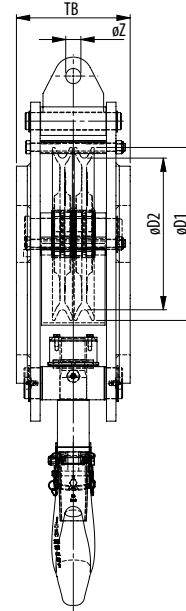
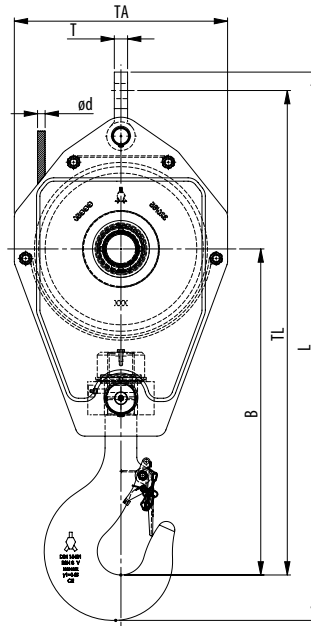
- The dimensions in this table are indicative only. A drawing will always be submitted prior to production and will be the leading document when discussing dimensions.
- Blocks shown here are standard models; inquiries for custom versions are welcome.
- Refer to wire rope manufacturers D/d ratio guideline.
- Optional: Hook locking pin.



**SEE OUR WARNING & SAFETY INFORMATION**

## STANDARD REEVE CRANE BLOCKS

## 2 SHEAVES



anti-rotation hook locking device



Model No.	WLL (USTons)	For wire ød (inch)	Hook size	Dimensions (inch)									Weight (lbs)
				øD1	øD2	B	O	TA	TL	L	T	øZ	
SRB 225.xx.2.16.E	17.6	3/8 - 9/16	6	11.8	10.2	23.3	2.8	15.7	34.6	39.5	TBD	TBD	240
SRB 260.xx.2.16.E	17.6	7/16 - 5/8	6	11.8	10.2	23.3	2.8	15.7	34.6	39.5	TBD	TBD	285
SRB 285.xx.2.16.E	17.6	1/2 - 3/4	6	12.6	11	23.9	2.8	16.5	35.7	40.7	TBD	TBD	210
SRB 260.xx.2.20.E	22	7/16 - 5/8	8	11.8	10.2	26.7	3.1	15.7	43	38	TBD	TBD	285   350
SRB 285.xx.2.20.E	22	1/2 - 3/4	8	12.6	11	26.3	3.1	16.5	38.1	43.4	TBD	TBD	285   330
SRB 320.xx.2.20.E	22	9/16 - 3/4	8	14.4	12.6	27.1	3.1	17.7	39.8	45.1	TBD	TBD	350
SRB 320.xx.2.22.E	24	9/16 - 3/4	8	14.4	12.6	27.1	3.1	17.7	39.8	45.6	TBD	TBD	350
SRB 260.xx.2.25.E	27.5	7/16 - 5/8	8	11.8	10.2	26.5	3.1	15.7	37.7	42.8	TBD	TBD	350
SRB 320.xx.2.25.E	27.5	9/16 - 3/4	8	14.4	12.6	27.1	3.1	17.7	39.8	45.1	TBD	TBD	450
SRB 355.xx.2.29.E	32	9/16 - 7/8	8	16.1	14	28.1	3.1	19.7	41.9	47.4	TBD	TBD	550
SRB 400.xx.2.29.E	32	5/8 - 1	8	18.1	15.7	29.3	3.1	22.4	44.4	50.1	TBD	TBD	705
SRB 450.xx.2.40.E	45	3/4 - 1 1/8	12	20.3	17.7	35.2	3.9	23.6	52	58.1	TBD	TBD	1210
SRB 450.xx.2.50.E	55	3/4 - 1 1/8	12	20.3	17.7	35.2	3.9	23.6	52	59.6	TBD	TBD	1210
SRB 400.xx.2.55.E	60	5/8 - 1	12	18.1	15.7	34	3.9	22.4	48.9	55.6	TBD	TBD	800
SRB 528.xx.2.64.E	70	7/8 - 1 1/4	16	23.4	20.8	39.5	4.4	28	58.4	65.9	TBD	TBD	2155
SRB 528.xx.2.80.E	88	7/8 - 1 1/4	20	23.4	20.8	43.7	4.9	28	62.6	71.2	TBD	TBD	2200
SRB 670.xx.2.100.E	110	1 - 1 3/8	20	29.9	26.4	49.5	4.9	34.3	71.7	80.4	TBD	TBD	4930

Minimum Ultimate Strength = 4 x WLL

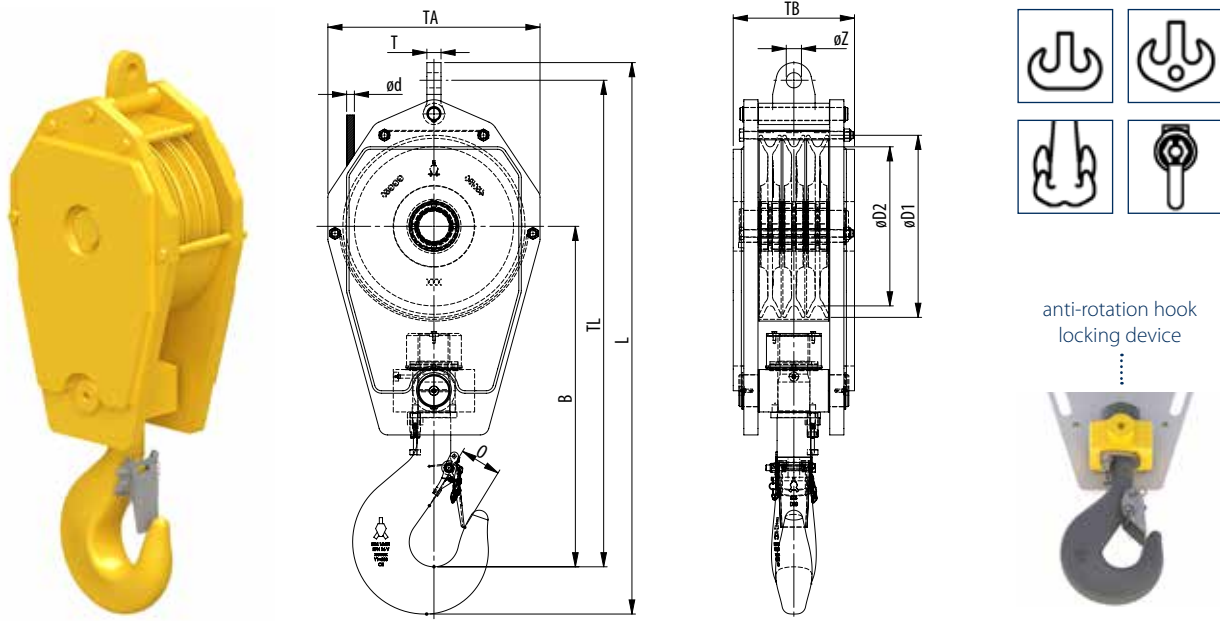
- The dimensions in this table are indicative only. A drawing will always be submitted prior to production and will be the leading document when discussing dimensions.
- Blocks shown here are standard models; inquiries for custom versions are welcome.
- Refer to wire rope manufacturers D/d ratio guideline.
- Optional: Hook locking pin.



**SEE OUR WARNING & SAFETY INFORMATION**

## STANDARD REEVE CRANE BLOCKS

## 3 SHEAVES



Model No.	WLL (UStons)	For wire ød (inch)	Hook size	Dimensions (inch)										Weight (lbs)
				øD1	øD2	B	O	TA	TL	L	T	øZ		
SRB 260.xx.3.25.E	27.5	7/16 - 5/8	8	11.8	10.2	25.9	3.1	15.7	37.5	42.8	TBD	TBD	465	
SRB 285.xx.3.29.E	32	1/2 - 3/4	8	12.8	11.2	26.3	3.1	15.7	38.5	43.8	TBD	TBD	465	
SRB 320.xx.3.29.E	32	9/16 - 3/4	8	14.4	12.6	28.1	3.1	17.7	41.3	46.6	TBD	TBD	495	
SRB 355.xx.3.32.E	35	5/8 - 7/8	10	16.1	14	29.6	3.5	19.7	43	49	TBD	TBD	715	
SRB 360.xx.3.40.E	44	5/8 - 7/8	12	16.1	14.2	33	3.9	19.7	46.4	52.8	TBD	TBD	1000	
SRB 400.xx.3.40.E	44	5/8 - 1	12	18.1	15.7	34	3.9	22.4	49	55.6	TBD	TBD	1100	
SRB 400.xx.3.50.E	55	5/8 - 1	12	18.1	15.7	34	3.9	22.4	49	56.1	TBD	TBD	1100   1200	
SRB 450.xx.3.50.E	55	3/4 - 1 1/8	16	20.3	17.7	38.6	4.4	23.6	53.5	60.3	TBD	TBD	1450	
SRB 360.xx.3.55.E	60	5/8 - 7/8	12	16.1	14.2	33	3.9	19.7	46.4	52.9	TBD	TBD	1000	
SRB 400.xx.3.55.E	60	5/8 - 1	12	18.1	15.7	34	3.9	22.4	49	55.6	TBD	TBD	1200	
SRB 450.xx.3.64.E	70	3/4 - 1 1/8	16	20.3	17.7	37.9	4.4	23.6	54.2	61.3	TBD	TBD	1500   1700	
SRB 450.xx.3.70.E	77	3/4 - 1 1/8	16	20.3	17.7	38.3	4.4	23.6	55	62.9	TBD	TBD	1500   1650	
SRB 528.xx.3.82.E	90	7/8 - 1 1/4	20	23.4	20.8	44.6	4.9	28	63.5	71.7	TBD	TBD	2500	
SRB 528.xx.3.100.E	110	7/8 - 1 1/4	25	23.4	20.8	48.1	5.5	28	66.3	75.3	TBD	TBD	2800	
SRB 670.xx.3.125.E	137.5	1 - 1 3/8	25	29.9	26.4	53.3	5.5	34.3	75.5	85	TBD	TBD	6380	

Minimum Ultimate Strength = 4 x WLL

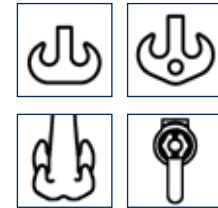
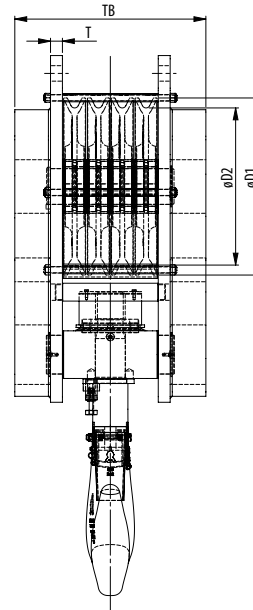
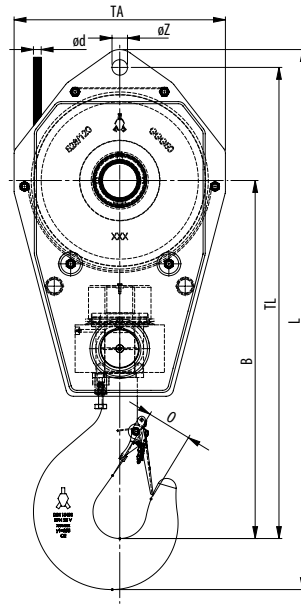
- The dimensions in this table are indicative only. A drawing will always be submitted prior to production and will be the leading document when discussing dimensions.
- Blocks shown here are standard models; inquiries for custom versions are welcome.
- Refer to wire rope manufacturers D/d ratio guideline.
- Optional: Hook locking pin.



**SEE OUR WARNING & SAFETY INFORMATION**

## STANDARD REEVE CRANE BLOCKS

## 4 SHEAVES



anti-rotation hook locking device



Model No.	WLL (UStons)	For wire ød (inch)	Hook size	Dimensions (inch)									Weight (lbs)
				øD1	øD2	B	O	TA	TL	L	T	øZ	
SRB 285.xx.4.35.E	38.5	½ - ¾	10	12.8	11.2	26	3.5	15.7	36.2	40.4	TBD	TBD	570
SRB 355.xx.4.50.E	55	¾ - 7/8	12	16.1	14	33	3.9	19.7	43.9	50.8	TBD	TBD	1045
SRB 528.xx.4.55.E	60	7/8 - 1¼	12	23.5	20.8	38.5	3.9	28	53.5	60.6	TBD	TBD	2600
SRB 400.xx.4.64.E	70	5/8 - 1	16	18.1	15.7	35.6	4.4	22.4	47.2	54.4	TBD	TBD	1155
SRB 450.xx.4.64.E	70	¾ - 1½	16	20.3	17.7	38	4.4	23.6	52	59.2	TBD	TBD	1595
SRB 528.xx.4.70.E	77	7/8 - 1¼	16	23.5	20.8	40.4	4.4	28	55.3	63	TBD	TBD	3850
SRB 450.xx.4.82.E	90	¾ - 1½	20	20.3	17.7	41.2	4.9	23.6	51.6	59.8	TBD	TBD	2110
SRB 450.xx.4.82.E	90	¾ - 1½	20	20.3	17.7	41.2	4.9	23.6	51.6	59.8	TBD	TBD	2110
SRB 528.xx.4.105.E	115	7/8 - 1¼	25	23.4	20.8	48.1	5.5	28	62.7	71.8	TBD	TBD	3900
SRB 710.xx.4.105.E	115	1½ - 1½	25	31.5	28	53.3	5.5	35.4	73.9	84.4	TBD	TBD	3000
SRB 450.xx.4.108.E	120	¾ - 1½	25	20.3	17.7	46.8	5.5	23.6	60.2	68.9	TBD	TBD	3200
SRB 670.xx.4.160.E	176	1 - 1¾	40	29.9	26.4	60.7	7.1	34.3	82.9	94	TBD	TBD	6930

Minimum Ultimate Strength = 4 x WLL

- The dimensions in this table are indicative only. A drawing will always be submitted prior to production and will be the leading document when discussing dimensions.
- Blocks shown here are standard models; inquiries for custom versions are welcome.
- Refer to wire rope manufacturers D/d ratio guideline.
- Optional: Hook locking pin.

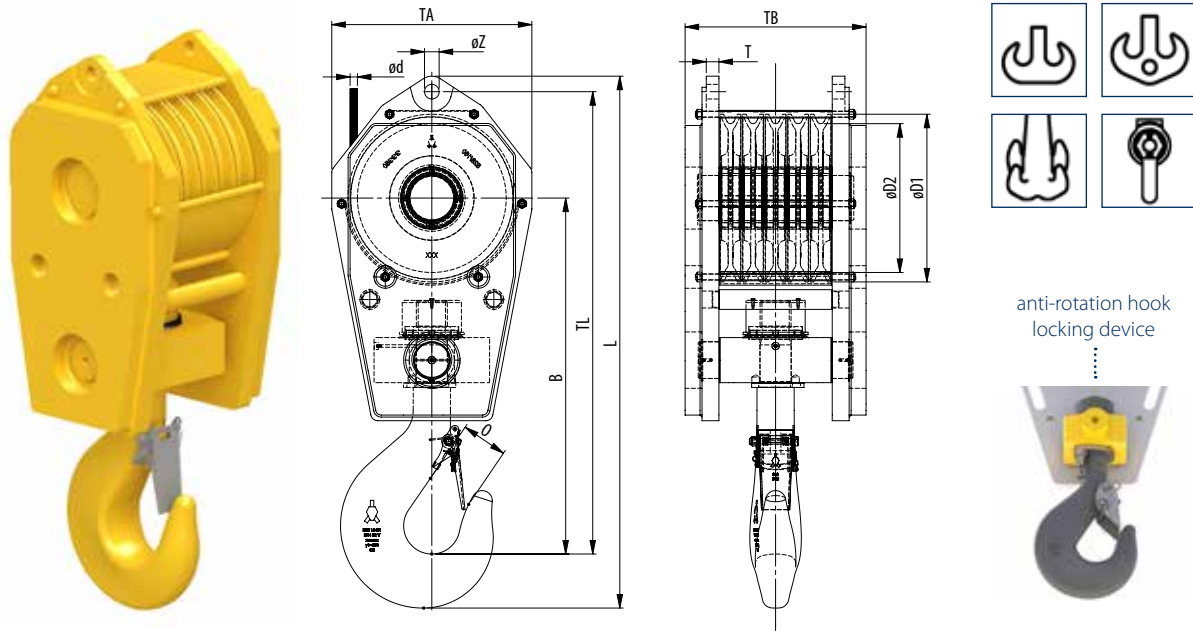


**SEE OUR WARNING & SAFETY INFORMATION**



## STANDARD REEVE CRANE BLOCKS

## 5 SHEAVES



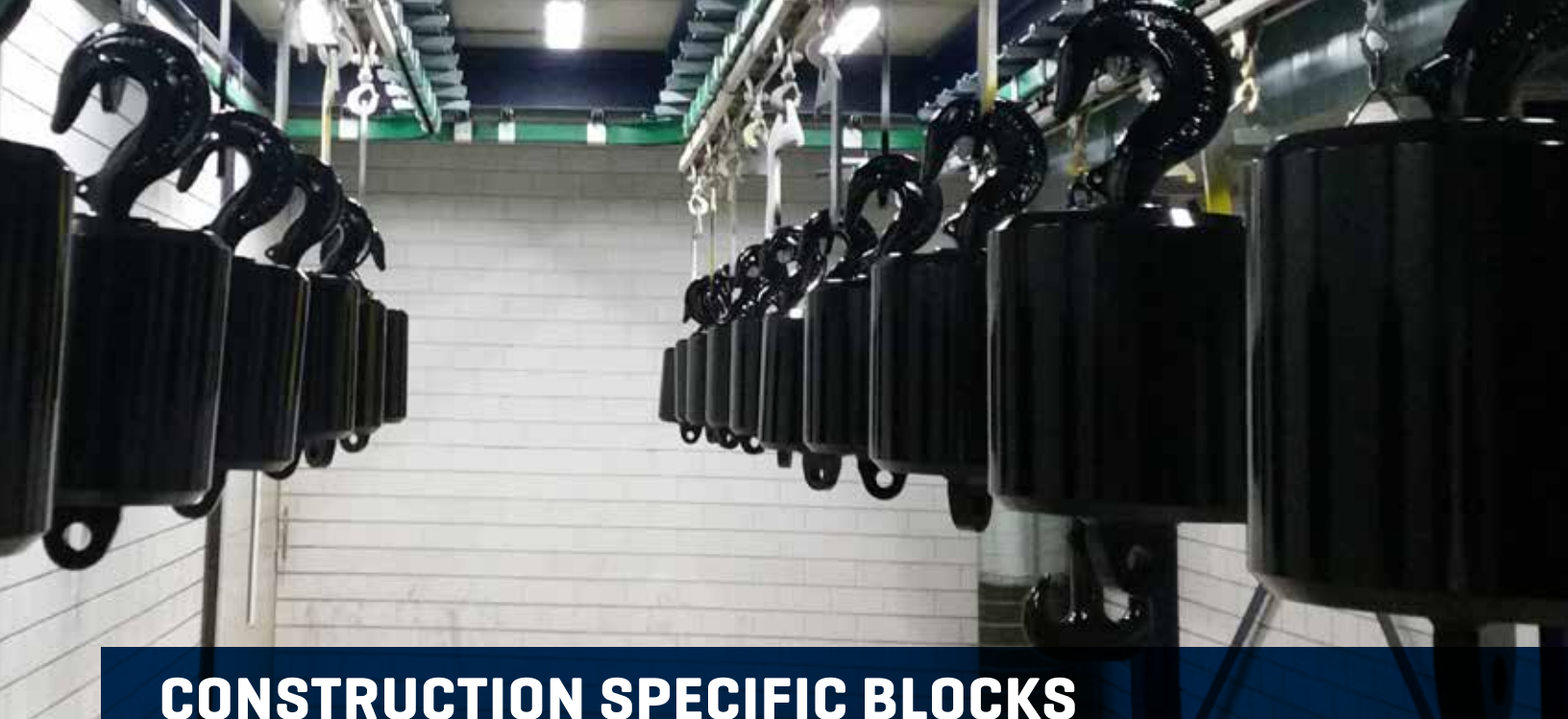
Model No.	WLL (USTons)	For wire ød (inch)	Hook size	Dimensions (inch)									Weight (lbs)
				øD1	øD2	B	O	TA	TL	L	T	øZ	
SRB 355.xx.5.55.E	60	5/16 - 7/8	12	16.1	14	33	4.4	19.7	44.6	51.4	TBD	TBD	1100
SRB 360.xx.5.64.E	70	5/8 - 7/8	16	16.1	14.2	39.1	4.4	19.7	47.2	54.1	TBD	TBD	1320
SRB 528.xx.5.70.E	77	7/8 - 1 1/4	16	23.4	20.8	40.8	4.4	27.9	55.7	63.1	TBD	TBD	2800
SRB 400.xx.5.73.E	80	5/8 - 1	16	18.1	15.7	37.6	4.4	22.4	49.6	56.7	TBD	TBD	1650
SRB 360.xx.5.80.E	88	5/8 - 7/8	20	16.1	14.2	39.1	4.9	19.7	50.5	58.1	TBD	TBD	1805
SRB 400.xx.5.82.E	90	5/8 - 1	20	18.1	15.7	40.7	4.9	22.4	53.7	61.6	TBD	TBD	1800
SRB 450.xx.5.82.E	90	3/4 - 1 1/8	20	20.3	17.7	42.2	4.9	23.6	56.3	64.2	TBD	TBD	2250
SRB 450.xx.5.100.E	110	3/4 - 1 1/8	25	20.3	17.7	44.4	5.5	23.6	58.5	67.6	TBD	TBD	2500
SRB 528.xx.5.125.E	137.5	7/8 - 1 1/4	32	23.4	20.8	49.7	6.3	28	66.8	76.6	TBD	TBD	3500
SRB 528.xx.5.137,5.E	150	7/8 - 1 1/4	32	23.4	20.8	52.5	6.3	28	50.1	77.8	TBD	TBD	3500
SRB 528.xx.5.160.E	176	7/8 - 1 1/4	40	23.4	20.8	55.4	7.1	28	70.7	81.8	TBD	TBD	3640
FRB 670.xx.5.200.E	220	1 - 1 3/8	50	29.9	26.4	64.6	7.9	34.3	83.9	95.9	TBD	TBD	7830

Minimum Ultimate Strength = 4 x WLL

- The dimensions in this table are indicative only. A drawing will always be submitted prior to production and will be the leading document when discussing dimensions.
- Blocks shown here are standard models; inquiries for custom versions are welcome.
- Refer to wire rope manufacturers D/d ratio guideline.
- Optional: Hook locking pin.



**SEE OUR WARNING & SAFETY INFORMATION**



## CONSTRUCTION SPECIFIC BLOCKS

### OVERHAUL BALLS

In Ropeblock Overhaul Balls, weights are based on average boom lengths and efficiency loss in mobile cranes and crawler cranes. The low friction and easy to access hook swivel design makes these overhaul balls an excellent choice for a wide variety of crane applications.

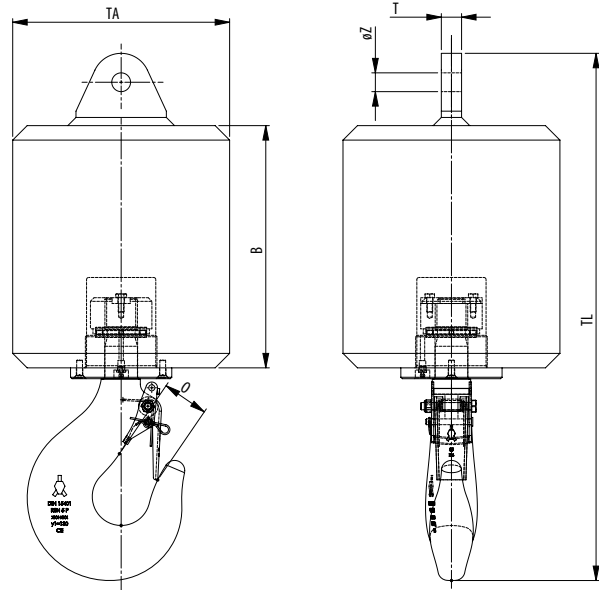
Standard features include:

- Design factor: 4:1
- Design acc. ASME B30.5, B30.10, B30.26
- Bottom and top swivelling hook

- High quality, low friction thrust bearing
- Becket size optimized for Ropeblock Sockets such as Open Wedge Sockets (OWS), Open Spelter Sockets (OSS), Fast Connector Sockets (FCS) or Super Reeve Connector Sockets (SCS)
- Forged high tensile steel EN/DIN hooks
- Body made of forged bar material
- Operational temperature range: -40 up to +80°C / -40 up to +176°F
- High impact-resistant body
- C3M finish, signal yellow

**PLEASE CONTACT US FOR MORE DETAILS**

## OVERHAUL BALLS



Model No.	WLL (UStons)	For wire ød (inch)	Hook	Becket	Dimensions (inch)						Weight (lbs)
					B	O	TA	TL	T	øZ	
OHB 3,2.60.C-1	3.5	½	2.5	1	7.9	2.0	8.7	19.7	0.9	1.1	130
OHB 3,2.60.C-2	3.5	⅞ - 5/8	2.5	2	7.9	2.0	8.7	19.9	1.1	1.3	130
OHB 5.80.C-2	5.5	⅞ - 5/8	2.5	2	8.7	2.0	9.4	22.3	1.1	1.3	175
OHB 6,3.80.C-2	6.9	⅞ - 5/8	2.5	2	8.7	2.0	9.4	22.3	1.1	1.3	175
OHB 8.130.C-3	8.8	¾	4	3	12.2	2.2	10.1	28.3	1.4	1.5	285
OHB 8.170.C-3	8.8	¾	4	3	13.4	2.2	10.9	26.8	1.4	1.5	375
OHB 8.200.C-3	8.8	¾	5	3	13.2	2.5	11.8	28.7	1.1	1.0	440
OHB 8.250.C.3	8.8	¾	4	3	15.7	2.2	12.5	34.0	1.4	1.5	550
OHB 10.210.C-4	11	7/8	4	4	15.0	2.2	11.7	29.6	1.6	1.7	460
OHB 10.250.C-5	11	1	4	5	15.7	2.2	12.5	30.4	1.8	2.0	550
OHB 12.328.C-4	13.2	7/8	5	4	15.8	2.5	13.8	34.6	1.6	1.7	722
OHB 12,5.200.C-4	13.75	7/8	5	4	13.2	2.5	11.8	31.3	1.6	1.7	440
OHB 12,5.250.C-5	13.75	1	5	5	15.7	2.5	12.5	32.6	1.8	2.0	550
OHB 12,5.370.C-5	13.75	1	5	5	17.7	2.5	13.8	34.6	1.8	2.0	814
OHB 16.370.C-5	17.6	1	6	5	17.7	2.8	12.5	38.7	1.8	2.0	814
OHB 16.450.C-5	17.6	1	6	5	17.3	2.8	15.7	38.3	1.8	2.0	990
OHB 16.545.P-5	17.6	1	6	5	18.1	2.8	17.7	39.5	1.8	2.0	1200
OHB 20.575.P-6	22	1 ⅛	8	6	18.5	3.1	16.0	42.3	2.0	2.3	1265
OHB 20.725.P-6	22	1 ⅛	8	6	24.0	3.1	17.7	47.2	2.0	2.3	1600
OHB 20.910.P-6	22	1 ⅛	8	6	24.2	3.1	19.7	47.4	2.0	2.3	2000
OHB 25.725.P-7	27.5	1 ¼	8	7	20.1	3.1	18.1	42.4	2.4	2.6	1600
OHB 25.725.P-8	27.5	1 ⅜	8	8	20.1	3.1	18.1	42.4	2.4	2.6	1600
OHB 25.910.P-7	27.5	1 ¼	8	7	24.0	3.1	18.1	46.4	2.4	2.6	2000
OHB 25.910.P-8	27.5	1 ⅜	8	8	24.0	3.1	18.1	46.4	2.4	2.6	2000
OHB 32.365.P-8	35	1 ⅛	10	6	15.7	3.5	14.6	49.6	2.6	2.6	800
OHB 32.725.P-7	35	1 ¼	10	7	23.6	3.5	17.7	45.4	2.4	2.6	1600
OHB 32.910.P-9	35	1-½	10	9	24.2	3.5	19.7	46.0	2.8	2.8	2000

Minimum Ultimate Strength = 4 x WLL

- The dimensions in this table are indicative only. A drawing will always be submitted prior to production and will be the leading document when discussing dimensions.
- Overhaul Balls shown here are standard models; inquiries for custom versions are welcome.



**SEE OUR WARNING & SAFETY INFORMATION**



# CONSTRUCTION SPECIFIC BLOCKS

## ROUND OVERHAUL BALLS

The weight of the overhaul balls in this segment are based on average boom lengths and efficiency loss in mobile and crawler cranes. The low friction and easy to access hook swivel design makes the OHB series an excellent choice for a wide variety of crane applications.

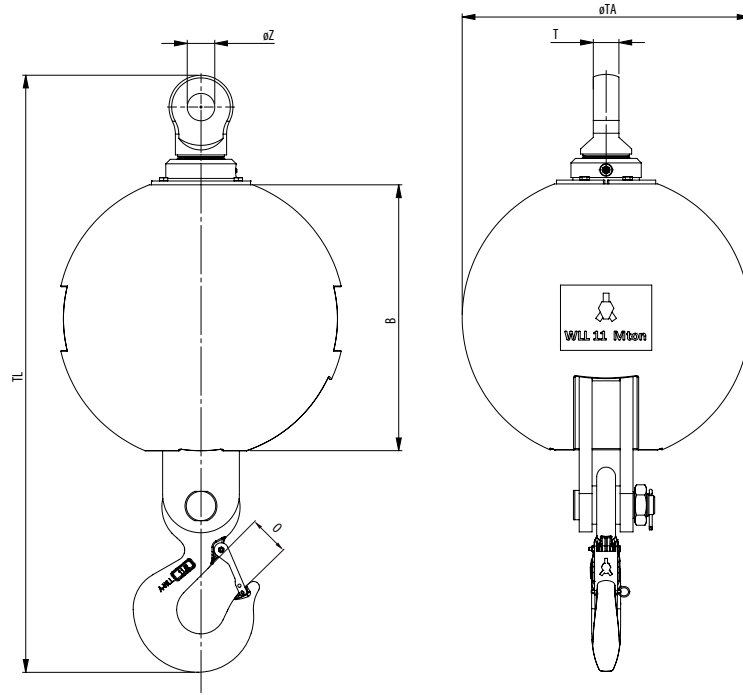
Standard features include:

- Top swivelling eye
- Design Factor of 4:1
- Design acc. ASME B30.5, B30.10, B30.26
- High quality, low friction thrust bearing

- Becket size optimized for Ropeblock Sockets such as Open Wedge (OWS), Open Spelter Sockets (OSS), Fast Connector Sockets (FCS) or Super Reeve Connector Sockets (SCS)
- Forged alloy eye hook acc. EN 1677-2
- Body made of cast material
- High impact resistant body
- Operational temperature range: -40 up to +80°C / -40 up to +176°F
- C3M finish, signal yellow

**PLEASE CONTACT YOUR SALES REPRESENTATIVE FOR MORE DETAILS**

## ROUND OVERHAUL BALLS



Model No.	WLL (UStons)	For wire ød (inch)	Dimensions (inch)						Weight (lbs)
			B	O	øTA	TL	T	øZ	
OHB-B 4,5.50-x	5	½ - ¾	7.8	1.7	9.1	26.2	TBD	TBD	110
OHB-B 4,5.110-x	5	½ - ¾	11.4	1.7	12.3	27.4	TBD	TBD	242
OHB-B 4,5.145-x	5	½ - ¾	12.6	1.7	13.5	28.9	TBD	TBD	320
OHB-B 7.50-x	8	½ - ¾	7.8	1.7	9.1	26.2	TBD	TBD	110
OHB-B 7.80-x	8	½ - ¾	10	1.7	11	26.2	TBD	TBD	175
OHB-B 7.110-x	8	½ - ¾	11.4	1.7	12.3	27.4	TBD	TBD	242
OHB-B 7.145-x	8	½ - ¾	12.6	1.7	13.5	28.9	TBD	TBD	320
OHB-B 11.180-x	12	¾ - 1 ½	13.1	2.1	14.6	33	TBD	TBD	396
OHB-B 11.265-x	12	¾ - 1 ½	15.4	2.1	16.7	35.9	TBD	TBD	583
OHB-B 11.320-x	12	¾ - 1 ½	16.4	2.1	17.7	36.9	TBD	TBD	705
OHB-B 11.530-x	12	¾ - 1 ½	20	2.1	21.1	40.4	TBD	TBD	1165
OHB-B 14.270-x	15	¾ - 1 ½	15.4	2.3	16.7	37.1	TBD	TBD	594
OHB-B 14.325-x	15	¾ - 1 ½	16.4	2.3	17.7	38.5	TBD	TBD	715
OHB-B 14.387-x	15	¾ - 1 ½	17.7	2.3	18.9	38.9	TBD	TBD	850
OHB-B 18.195-x	20	¾ - 1 ½	13.1	3.1	14.6	38.3	TBD	TBD	429
OHB-B 18.330-x	20	¾ - 1 ½	16.4	3.1	17.7	42	TBD	TBD	726
OHB-B 18.392-x	20	¾ - 1 ½	17.7	3.1	18.9	42.6	TBD	TBD	862
OHB-B 18.545-x	20	¾ - 1 ½	20	3.1	21.1	45.6	TBD	TBD	1200

Minimum Ultimate Strength = 4 x WLL

- The dimensions in this table are indicative only. A drawing will always be submitted prior to production and will be the leading document when discussing dimensions.
- Overhaul Balls shown here are standard models; inquiries for custom versions are welcome.



**SEE OUR WARNING & SAFETY INFORMATION**