



# CRANE BLOCKS & OVERHAUL BALLS

The Ropeblock portfolio includes a wide range of crane blocks with proven quality assured by a track record spanning 25 years. They feature superb finishing and a high degree of flexibility in terms of, e.g., possible weights and wire rope diameters, and hook interchangeability.

- Components include Ropeblock cast sheaves with maintenance free bearings.
- Axial cylindrical roller bearings minimise rotational resistance of the hook.
- Spare parts are readily available from stock.

## RECOMMENDED FINISH

| Segment / application | ISO 12944 classification | Classification description  | Expected protection duration | DFT (µm) |
|-----------------------|--------------------------|---|------------------------------|----------|
| Construction          | C2M                      | Slightly polluted atmosphere, predominately agriculture areas   | 5 to 15 year                 | 120      |
| Construction          | C3M                      | Industrial and residential air pollution levels, with an average sulfurdioxide (IV) contamination level. Coastal areas with low salt content in air | 2 to 5 year                  | 120      |
| Construction          | C3M                      | Industrial and residential air pollution levels, with an average sulfurdioxide (IV) contamination level. Coastal areas with low salt content in air | 5 to 15 year                 | 160      |
| Cargo handling        | C3M                      | Industrial and residential air pollution levels, with an average sulfurdioxide (IV) contamination level. Coastal areas with low salt content in air | 5 to 15 year                 | 160      |
| Cargo handling        | C4H                      | Industrial areas and coastal areas with average salt content in air   | more than 15 year            | 280      |
| Cargo handling        | C5-MM                    | Coastal areas and open sea with high salt content in air  | 5 to 15 year                 | 280      |
| Offshore              | C4H                      | Industrial areas and coastal areas with average salt content in air   | more than 15 year            | 300      |
| Offshore              | C5-MM                    | Coastal areas and open sea with high salt content in air  | 5 to 15 year                 | 300      |
| Offshore              | C5-MH                    | Coastal areas and open sea with high salt content in air  | more than 15 year            | 320      |
| Offshore              | NORSOK sys. 1*           | Open sea with high salt content in air  | more than 15 year            | 300      |



# CONSTRUCTION SPECIFIC BLOCKS

## FAST REEVE CRANE BLOCKS

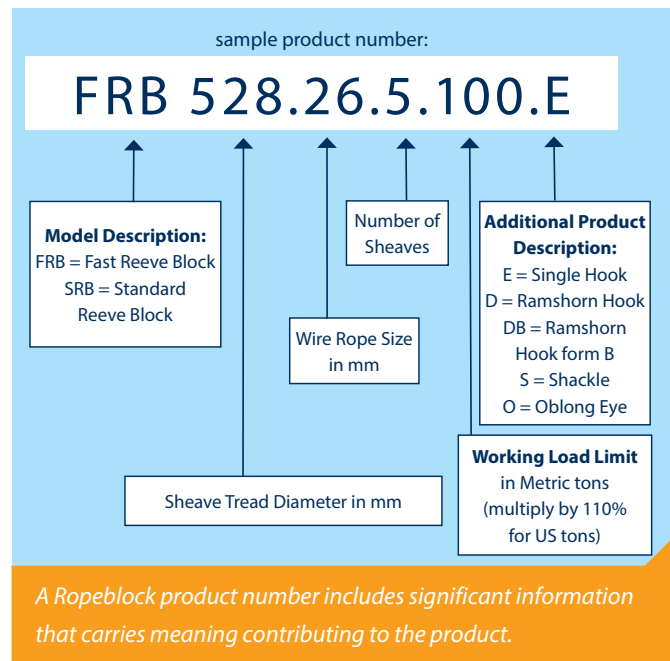
Ropeblock Fast Reeve Crane Blocks are suitable for use on a wide variety of mobile cranes, crawler cranes and other land-based cranes. These blocks are an excellent choice for lifting applications requiring frequent block change.

Standard features include:

- Design factor: 4:1
- Design acc. ASME B30.5, B30.10, B30.26
- Double-sealed maintenance-free roller bearings
- Forged high tensile steel EN/DIN hooks
- Cast sheaves featuring graphite lubricated groove
- High impact-resistant side plates
- Operational temperature range: -40 up to +80°C / -40 up to +176°F
- Lubrication on hook suspension
- 4 or 8 point hook locking device
- Fast reeve guides for fast reeving
- C3M finish in signal yellow with black striping
- Safety latch with locking pin

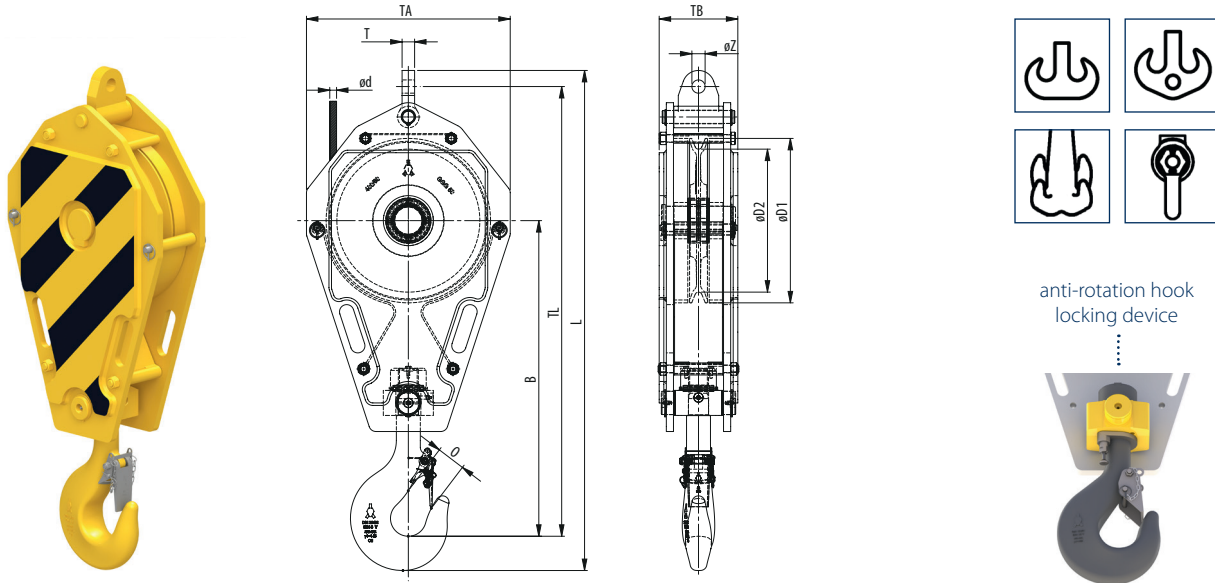
**PLEASE CONTACT US FOR MORE DETAILS**

### THE ANATOMY OF A ROPEBLOCK CRANE BLOCK PRODUCT NUMBER



## FAST REEVE CRANE BLOCKS

## 1 SHEAVE



| Model No.           | WLL (USTons) | For wire ød (inch) | Hook size | Dimensions (inch) |      |      |     |      |      |      |     |     | Weight (lbs)              |
|---------------------|--------------|--------------------|-----------|-------------------|------|------|-----|------|------|------|-----|-----|---------------------------|
|                     |              |                    |           | øD1               | øD2  | B    | O   | TA   | TL   | L    | T   | øZ  |                           |
| FRB 225.xx.1.12.5.E | 13.7         | 3/8 - 1/4          | 4         | 10.2              | 8.9  | 23.1 | 2.2 | 13.6 | 34   | 38.2 | TBD | TBD | 195                       |
| FRB 260.xx.1.12.5.E | 13.7         | 7/16 - 5/8         | 4         | 11.8              | 10.2 | 25.7 | 2.2 | 15.7 | 36.9 | 41.9 | TBD | TBD | 220                       |
| FRB 225.xx.1.16.E   | 17.6         | 3/8 - 1/4          | 6         | 10.2              | 8.9  | 23.9 | 2.8 | 13.6 | 34.8 | 39.7 | TBD | TBD | 225                       |
| FRB 260.xx.1.16.E   | 17.6         | 7/16 - 5/8         | 6         | 11.8              | 10.2 | 27.3 | 2.8 | 15.7 | 38.5 | 43.4 | TBD | TBD | 265   325   375           |
| FRB 285.xx.1.16.E   | 17.6         | 1/2 - 3/4          | 6         | 12.6              | 11.2 | 28.5 | 2.8 | 16.5 | 40.3 | 45.2 | TBD | TBD | 350                       |
| FRB 320.xx.1.16.E   | 17.6         | 9/16 - 3/4         | 6         | 14.4              | 12.6 | 28.7 | 2.8 | 17.7 | 41.8 | 16.8 | TBD | TBD | 350                       |
| FRB 355.xx.1.16.E   | 17.6         | 9/16 - 7/8         | 6         | 16.1              | 14   | 31   | 2.8 | 19.7 | 44.6 | 49.7 | TBD | TBD | 500   550                 |
| FRB 260.xx.1.20.E   | 22           | 7/16 - 5/8         | 8         | 11.8              | 10.2 | 29.4 | 3.1 | 15.7 | 40.7 | 46   | TBD | TBD | 285   375   425           |
| FRB 285.xx.1.20.E   | 22           | 1/2 - 3/4          | 8         | 12.6              | 11.2 | 30.6 | 3.1 | 16.5 | 42.4 | 47.8 | TBD | TBD | 350                       |
| FRB 320.xx.1.20.E   | 22           | 9/16 - 3/4         | 8         | 14.4              | 12.6 | 30.2 | 3.1 | 17.7 | 43.3 | 48.7 | TBD | TBD | 350   425   475           |
| FRB 355.xx.1.20.E   | 22           | 9/16 - 7/8         | 8         | 16.1              | 14   | 33.6 | 3.1 | 19.7 | 47.2 | 52.5 | TBD | TBD | 550   660                 |
| FRB 355.xx.1.25.E   | 27.5         | 9/16 - 7/8         | 8         | 16.1              | 14   | 33.4 | 3.1 | 19.7 | 47   | 52.5 | TBD | TBD | 550   750                 |
| FRB 400.xx.1.25.E   | 27.5         | 5/8 - 1            | 8         | 18.1              | 15.7 | 34.8 | 3.1 | 22.4 | 49.5 | 55.2 | TBD | TBD | 700   750                 |
| FRB 400.xx.1.26.E   | 28.5         | 5/8 - 1            | 8         | 18.1              | 15.7 | 34.8 | 3.1 | 22.4 | 49.5 | 55.2 | TBD | TBD | 1100                      |
| FRB 400.xx.1.29.E   | 32           | 5/8 - 1            | 8         | 18.1              | 15.7 | 34.8 | 3.1 | 22.4 | 49.9 | 55.6 | TBD | TBD | 800                       |
| FRB 450.xx.1.29.E   | 32           | 3/4 - 1 1/8        | 8         | 20.3              | 17.7 | 37.3 | 3.1 | 23.6 | 51.4 | 59.3 | TBD | TBD | 650   800                 |
| FRB 450.xx.1.32.E   | 35           | 3/4 - 1 1/8        | 10        | 20.3              | 17.7 | 39.5 | 3.5 | 23.6 | 56.1 | 62.7 | TBD | TBD | 1100   1320               |
| FRB 528.xx.1.32.E   | 35           | 7/8 - 1 1/4        | 10        | 23.4              | 20.8 | 40.5 | 3.5 | 28   | 58.7 | 65.3 | TBD | TBD | 1100   1320   1500   1800 |
| FRB 670.xx.1.32.E   | 35           | 1 - 1 1/2          | 10        | 29.9              | 26.4 | 41.3 | 3.5 | 34.3 | 63.3 | 70.3 | TBD | TBD | 1700                      |
| FRB 450.xx.1.40.E   | 45           | 3/4 - 1 1/8        | 12        | 20.3              | 17.7 | 42.3 | 3.9 | 23.6 | 58.9 | 65.9 | TBD | TBD | 1300   1500               |
| FRB 528.xx.1.40.E   | 45           | 7/8 - 1 1/4        | 12        | 23.4              | 20.8 | 43.9 | 3.9 | 28   | 62.7 | 69.7 | TBD | TBD | 1500   1700   1875   2000 |
| FRB 450.xx.1.50.E   | 55           | 3/4 - 1 1/8        | 12        | 20.3              | 17.7 | 43.1 | 3.9 | 23.6 | 59.6 | 67.2 | TBD | TBD | 1300   1500               |
| FRB 528.xx.1.50.E   | 55           | 7/8 - 1 1/4        | 12        | 23.4              | 20.8 | 43.7 | 3.9 | 28   | 62.6 | 70.1 | TBD | TBD | 1500   1700   1875   2000 |
| FRB 575.xx.1.50.E   | 55           | 15/16 - 1 1/4      | 12        | 25.6              | 22.6 | 45   | 3.9 | 30.3 | 64.9 | 72.9 | TBD | TBD | 2200                      |
| FRB 630.xx.1.50.E   | 55           | 1 - 1 3/8          | 12        | 27.9              | 24.8 | 43.6 | 3.9 | 35.4 | 64.7 | 72.1 | TBD | TBD | 1800 / 3500 / 5300*       |
| FRB 670.xx.1.50.E   | 55           | 1 - 1 1/2          | 12        | 29.9              | 26.4 | 44.1 | 3.9 | 34.3 | 66.3 | 73.7 | TBD | TBD | 2000   2600   3000        |
| FRB 670.xx.1.64.E   | 70           | 1 - 1 1/2          | 16        | 29.9              | 26.4 | 49.1 | 4.4 | 34.3 | 71.4 | 79.3 | TBD | TBD | 2200   2600   3000        |

\* Removable cheek weights

Minimum Ultimate Strength = 4 x WLL

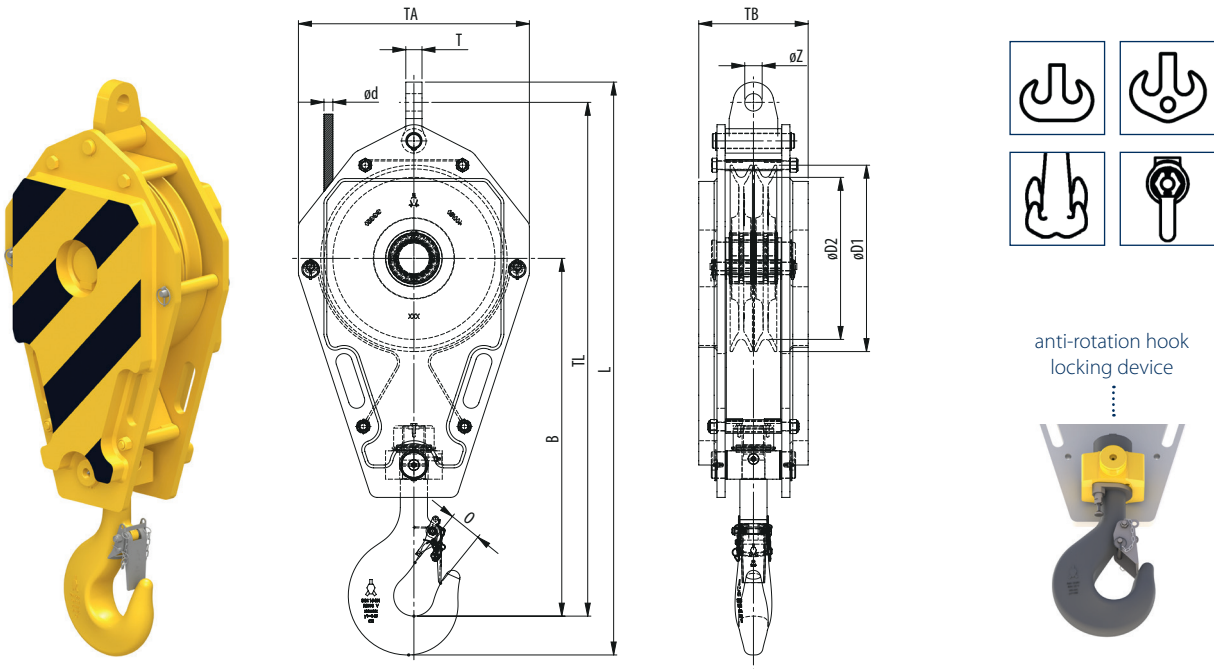
- The dimensions in this table are indicative only. A drawing will always be submitted prior production and will be the leading document when discussing dimensions.
- Blocks shown here are standard models; inquiries for custom versions are welcome.
- Refer to wire rope manufacturers D/d ratio guideline.
- Optional: Hook locking pin.



**SEE OUR WARNING & SAFETY INFORMATION**

## FAST REEVE CRANE BLOCKS

## 2 SHEAVES



| Model No.         | WLL (UStons) | For wire ød (inch) | Hook size | Dimensions (inch) |      |      |     |      |      |      |     |     | Weight (lbs)    |
|-------------------|--------------|--------------------|-----------|-------------------|------|------|-----|------|------|------|-----|-----|-----------------|
|                   |              |                    |           | øD1               | øD2  | B    | O   | TA   | TL   | L    | T   | øZ  |                 |
| FRB 225.xx.2.16.E | 17.6         | 3/8 - 9/16         | 6         | 10.2              | 8.9  | 23.9 | 2.8 | 13.6 | 34.8 | 39.7 | TBD | TBD | 265             |
| FRB 260.xx.2.16.E | 17.6         | 7/16 - 5/8         | 6         | 11.8              | 10.2 | 27.3 | 2.8 | 15.7 | 38.5 | 43.4 | TBD | TBD | 285   350       |
| FRB 225.xx.2.20.E | 22           | 3/8 - 9/16         | 8         | 10.2              | 8.9  | 28.3 | 3.1 | 13.6 | 37.7 | 43.1 | TBD | TBD | 285             |
| FRB 260.xx.2.20.E | 22           | 7/16 - 5/8         | 8         | 11.8              | 10.2 | 29.4 | 3.1 | 15.7 | 40.7 | 46   | TBD | TBD | 285   350   425 |
| FRB 260.xx.2.25.E | 27.5         | 7/16 - 5/8         | 8         | 11.8              | 10.2 | 29.3 | 3.1 | 15.7 | 40.5 | 45.6 | TBD | TBD | 350   425       |
| FRB 320.xx.2.25.E | 27.5         | 9/16 - 3/4         | 8         | 14.4              | 12.6 | 30   | 3.1 | 17.7 | 43.1 | 48.5 | TBD | TBD | 450   495       |
| FRB 320.xx.2.29.E | 32           | 9/16 - 3/4         | 8         | 14.4              | 12.6 | 30.1 | 3.1 | 17.3 | 43.1 | 48.5 | TBD | TBD | 600             |
| FRB 355.xx.2.29.E | 32           | 9/16 - 7/8         | 8         | 16.1              | 14   | 33.4 | 3.1 | 19.7 | 47   | 52.5 | TBD | TBD | 585   625   750 |
| FRB 400.xx.2.32.E | 35           | 5/8 - 1            | 10        | 18.1              | 15.7 | 37.5 | 3.5 | 22.4 | 52.7 | 58.9 | TBD | TBD | 800             |
| FRB 450.xx.2.32.E | 35           | 3/4 - 1 1/8        | 10        | 20.3              | 17.7 | 39.5 | 3.5 | 23.6 | 55.7 | 61.9 | TBD | TBD | 1100            |
| FRB 450.xx.2.46.E | 50           | 3/4 - 1 1/8        | 12        | 20.3              | 17.7 | 42.2 | 3.9 | 23.6 | 58.5 | 65.2 | TBD | TBD | 1200            |
| FRB 450.xx.2.55.E | 60           | 3/4 - 1 1/8        | 16        | 20.3              | 17.7 | 42.3 | 4.4 | 23.6 | 58.9 | 66.5 | TBD | TBD | 1600            |
| FRB 528.xx.2.55.E | 60           | 7/8 - 1 1/4        | 12        | 23.4              | 20.8 | 43.8 | 3.9 | 27.9 | 62.6 | 70.1 | TBD | TBD | 2000            |
| FRB 670.xx.2.55.E | 60           | 1 - 1 1/2          | 12        | 29.9              | 26.4 | 44.2 | 3.9 | 34.3 | 67   | 74.1 | TBD | TBD | 2080            |
| FRB 528.xx.2.70.E | 77           | 7/8 - 1 1/4        | 16        | 23.4              | 20.8 | 47.3 | 4.4 | 28   | 65.2 | 72.8 | TBD | TBD | 2200            |
| FRB 670.xx.2.82.E | 90           | 1 - 1 1/2          | 20        | 29.9              | 26.4 | 50.7 | 4.9 | 34.3 | 74.7 | 83.6 | TBD | TBD | 3400            |

Minimum Ultimate Strength = 4 x WLL

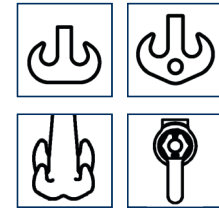
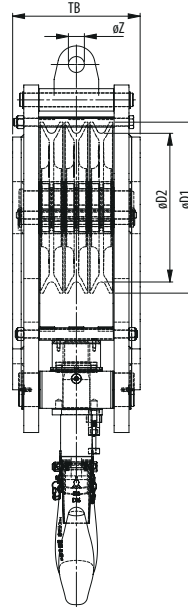
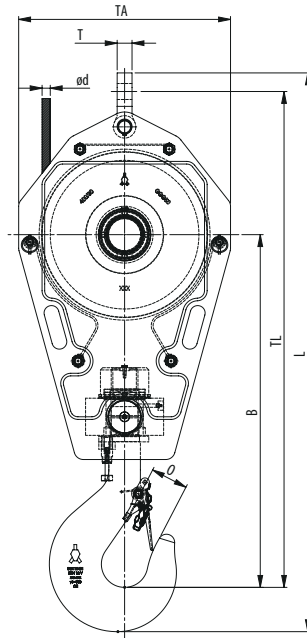
- The dimensions in this table are indicative only. A drawing will always be submitted prior to production and will be the leading document when discussing dimensions.
- Blocks shown here are standard models; inquiries for custom versions are welcome.
- Refer to wire rope manufacturers D/d ratio guideline.
- Optional: Hook locking pin.



**SEE OUR WARNING & SAFETY INFORMATION**

## FAST REEVE CRANE BLOCKS >>

## 3 SHEAVES



anti-rotation hook locking device



| Model No.         | WLL (UStons) | For wire ød (inch) | Hook size | Dimensions (inch) |      |      |     |      |      |      |     |     | Weight (lbs)       |
|-------------------|--------------|--------------------|-----------|-------------------|------|------|-----|------|------|------|-----|-----|--------------------|
|                   |              |                    |           | øD1               | øD2  | B    | O   | TA   | TL   | L    | T   | øZ  |                    |
| FRB 225.xx.3.20.E | 22           | 3/8 - 1/16         | 8         | 10.2              | 8.9  | 28.3 | 3.1 | 13.6 | 39.1 | 44.4 | TBD | TBD | 410                |
| FRB 260.xx.3.20.E | 22           | 7/16 - 5/8         | 8         | 11.8              | 10.2 | 28.5 | 3.1 | 15.7 | 40.1 | 45.4 | TBD | TBD | 410                |
| FRB 260.xx.3.25.E | 27.5         | 7/16 - 5/8         | 8         | 11.8              | 10.2 | 27.5 | 3.1 | 15.7 | 39.1 | 44.4 | TBD | TBD | 465                |
| FRB 285.xx.3.29.E | 32           | 1/2 - 3/4          | 8         | 12.6              | 11   | 27.7 | 3.5 | 16.5 | 39.9 | 45.2 | TBD | TBD | 460                |
| FRB 320.xx.3.29.E | 32           | 9/16 - 3/4         | 8         | 14.4              | 12.6 | 30   | 3.1 | 17.7 | 43.1 | 48.5 | TBD | TBD | 505                |
| FRB 260.xx.3.32.E | 35           | 7/16 - 5/8         | 10        | 11.8              | 10.2 | 28.9 | 3.5 | 15.7 | 40.5 | 46.3 | TBD | TBD | 465                |
| FRB 285.xx.3.32.E | 35           | 1/2 - 3/4          | 10        | 12.6              | 11   | 30   | 3.5 | 16.5 | 42.2 | 48   | TBD | TBD | 460   505          |
| FRB 320.xx.3.32.E | 35           | 9/16 - 3/4         | 10        | 14.4              | 12.6 | 32.2 | 3.5 | 17.7 | 45.3 | 51.1 | TBD | TBD | 505   625          |
| FRB 320.xx.3.37.E | 40           | 9/16 - 3/4         | 10        | 14.4              | 12.6 | 32.2 | 3.5 | 17.7 | 45.3 | 51.1 | TBD | TBD | 700                |
| FRB 355.xx.3.37.E | 40           | 9/16 - 7/8         | 10        | 16.1              | 14   | 34   | 3.5 | 19.7 | 48   | 53.7 | TBD | TBD | 700   825          |
| FRB 360.xx.3.41.E | 45           | 5/8 - 7/8          | 12        | 16.5              | 14.2 | 35.4 | 3.9 | 20.1 | 49.3 | 55.8 | TBD | TBD | 900                |
| FRB 360.xx.3.46.E | 50           | 5/8 - 7/8          | 12        | 16.5              | 14.2 | 35.4 | 3.9 | 20.1 | 49.3 | 55.8 | TBD | TBD | 900                |
| FRB 400.xx.3.46.E | 50           | 5/8 - 1            | 12        | 18.1              | 15.7 | 37.3 | 3.9 | 22.4 | 52.1 | 58.6 | TBD | TBD | 1000               |
| FRB 360.xx.3.50.E | 55           | 5/8 - 7/8          | 12        | 16.5              | 14.2 | 35.4 | 3.9 | 20.1 | 49.4 | 56.3 | TBD | TBD | 900   1200         |
| FRB 400.xx.3.50.E | 55           | 5/8 - 1            | 12        | 18.1              | 15.7 | 37.4 | 3.9 | 22.4 | 52.1 | 59.1 | TBD | TBD | 1100   1200   1350 |
| FRB 360.xx.3.55.E | 60           | 5/8 - 7/8          | 12        | 16.5              | 14.2 | 35.4 | 3.9 | 20.1 | 49.3 | 55.8 | TBD | TBD | 900   1200         |
| FRB 400.xx.3.55.E | 60           | 5/8 - 1            | 12        | 18.1              | 15.7 | 37.4 | 3.9 | 22.4 | 52.1 | 59.1 | TBD | TBD | 1100   1200   1350 |



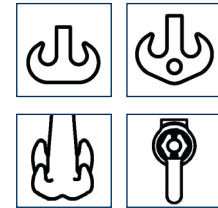
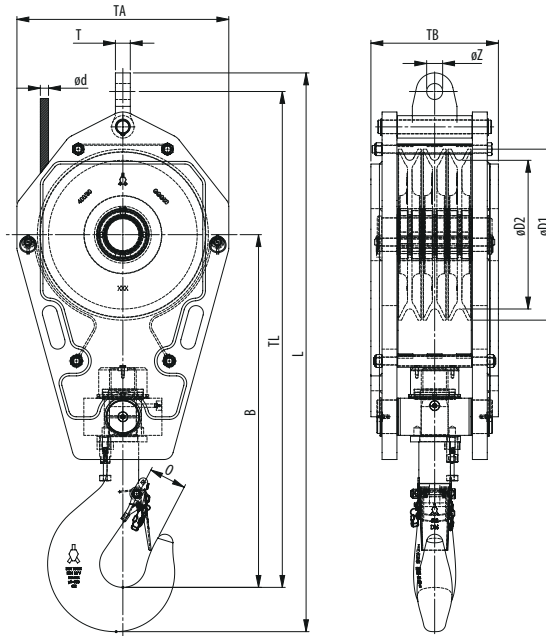
Minimum Ultimate Strength = 4 x WLL

- The dimensions in this table are indicative only. A drawing will always be submitted prior to production and will be the leading document when discussing dimensions.
- Blocks shown here are standard models; inquiries for custom versions are welcome.
- Refer to wire rope manufacturers D/d ratio guideline.
- Optional: Hook locking pin.

**SEE OUR WARNING & SAFETY INFORMATION**

## << FAST REEVE CRANE BLOCKS

## 3 SHEAVES



anti-rotation hook locking device



| Model No.          | WLL (UStons) | For wire ød (inch) | Hook size | Dimensions (inch) |      |      |     |      |      |      |     |     | Weight (lbs)        |
|--------------------|--------------|--------------------|-----------|-------------------|------|------|-----|------|------|------|-----|-----|---------------------|
|                    |              |                    |           | øD1               | øD2  | B    | O   | TA   | TL   | L    | T   | øZ  |                     |
| FRB 400.xx.3.63.E  | 69           | 5/8 - 1            | 16        | 18.1              | 15.7 | 37.4 | 4.4 | 22.4 | 52.1 | 59.1 | TBD | TBD | 1350                |
| FRB 450.xx.3.64.E  | 70           | 3/4 - 1 1/8        | 16        | 20.3              | 17.7 | 40.9 | 4.4 | 23.6 | 57.2 | 64.8 | TBD | TBD | 1500   1700         |
| FRB 450.xx.3.70.E  | 77           | 3/4 - 1 1/8        | 16        | 20.3              | 17.7 | 41.1 | 4.4 | 23.6 | 57.4 | 64.6 | TBD | TBD | 1500   1700   1800  |
| FRB 528.xx.3.70.E  | 77           | 7/8 - 1 1/4        | 16        | 23.4              | 20.8 | 47.6 | 4.4 | 28   | 65.9 | 73.5 | TBD | TBD | 2350                |
| FRB 450.xx.3.82.E  | 90           | 3/4 - 1 1/8        | 20        | 20.3              | 17.7 | 46.5 | 4.9 | 23.6 | 62.8 | 70.7 | TBD | TBD | 1800   2200         |
| FRB 528.xx.3.82.E  | 90           | 7/8 - 1 1/4        | 20        | 23.4              | 20.8 | 50.1 | 4.9 | 28   | 68.3 | 76.6 | TBD | TBD | 2500   2800         |
| FRB 630.xx.3.82.E  | 90           | 1 - 1 3/8          | 20        | 27.9              | 24.8 | 53.7 | 4.9 | 32.7 | 74.1 | 82.1 | TBD | TBD | 3600                |
| FRB 528.xx.3.100.E | 110          | 7/8 - 1 1/4        | 20        | 23.4              | 20.8 | 50.1 | 4.9 | 28   | 68.3 | 76.6 | TBD | TBD | 2500   2800         |
| FRB 528.xx.3.100.E | 110          | 7/8 - 1 1/4        | 25        | 23.4              | 20.8 | 53.7 | 5.5 | 28   | 71.9 | 80.9 | TBD | TBD | 2860   3000         |
| FRB 575.xx.3.100.E | 110          | 1 1/16 - 1 1/4     | 25        | 25.6              | 22.6 | 51.3 | 5.5 | 30.3 | 71.2 | 80.6 | TBD | TBD | 3000                |
| FRB 575.xx.3.100.E | 110          | 1 1/16 - 1 1/4     | 25        | 25.6              | 22.6 | 51.3 | 5.5 | 30.3 | 71.2 | 80.6 | TBD | TBD | 2425 / 4520 / 6620* |
| FRB 630.xx.3.100.E | 110          | 1 - 1 3/8          | 25        | 27.9              | 24.8 | 53.3 | 5.5 | 32.7 | 74.4 | 83.9 | TBD | TBD | 2425 / 4520 / 6620* |
| FRB 630.xx.3.100.E | 110          | 1 - 1 3/8          | 25        | 27.9              | 24.8 | 53.3 | 5.5 | 32.7 | 74.4 | 83.9 | TBD | TBD | 3500                |
| FRB 670.xx.3.100.E | 110          | 1 - 1 1/2          | 25        | 29.9              | 26.4 | 55.2 | 5.5 | 34.3 | 77.5 | 87   | TBD | TBD | 4000 / 14000*       |
| FRB 630.xx.3.125.E | 137,5        | 1 - 1 3/8          | 25        | 27.9              | 24.8 | 55.4 | 5.5 | 35.4 | 77.7 | 88   | TBD | TBD | 3300 / 12100*       |
| FRB 670.xx.3.137.E | 150          | 1 - 1 1/2          | 25        | 29.9              | 26.4 | 54.6 | 5.5 | 34.3 | 73.8 | 83.2 | TBD | TBD | 8100 / 16000*       |

\* Removable cheek weights

Minimum Ultimate Strength = 4 x WLL

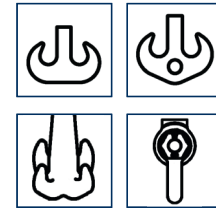
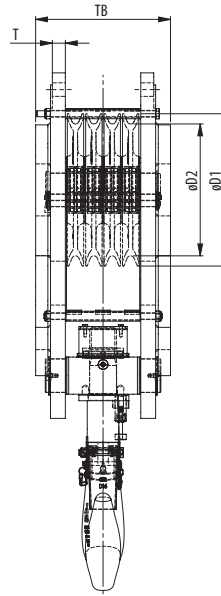
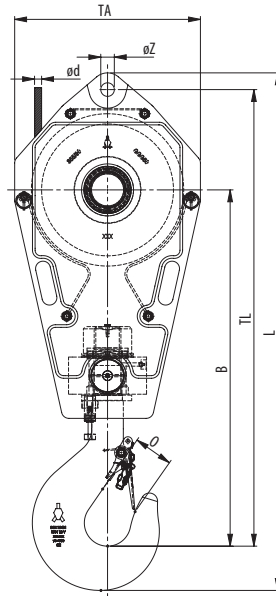
- The dimensions in this table are indicative only. A drawing will always be submitted prior to production and will be the leading document when discussing dimensions.
- Blocks shown here are standard models; inquiries for custom versions are welcome.
- Refer to wire rope manufacturers D/d ratio guideline.
- Optional: Hook locking pin.



**SEE OUR WARNING & SAFETY INFORMATION**

## FAST REEVE CRANE BLOCKS

## 4 SHEAVES



anti-rotation hook locking device



| Model No.            | WLL (UStons) | For wire ød (inch) | Hook size | Dimensions (inch) |      |      |     |      |      |      |     |     | Weight (lbs) |
|----------------------|--------------|--------------------|-----------|-------------------|------|------|-----|------|------|------|-----|-----|--------------|
|                      |              |                    |           | øD1               | øD2  | B    | O   | TA   | TL   | L    | T   | øZ  |              |
| FRB 355.xx.4.35.E    | 38.5         | 5/16 - 7/8         | 10        | 16.1              | 14   | 36.7 | 3.5 | 19.7 | 47.4 | 53.1 | TBD | TBD | 925          |
| FRB 320.xx.4.37.E    | 40           | 5/16 - 3/4         | 10        | 14.4              | 12.6 | 29.6 | 3.5 | 17.7 | 39   | 44.8 | TBD | TBD | 700          |
| FRB 355.xx.4.37.E    | 40           | 5/16 - 7/8         | 10        | 16.1              | 14   | 34   | 3.5 | 19.7 | 44.6 | 50.4 | TBD | TBD | 620          |
| FRB 320.xx.4.41.E    | 45           | 5/16 - 3/4         | 12        | 14.4              | 12.6 | 34.6 | 3.9 | 17.7 | 43.9 | 50.2 | TBD | TBD | 760          |
| FRB 355.xx.4.46.E    | 50           | 5/16 - 7/8         | 12        | 16.1              | 14   | 37.7 | 3.9 | 19.7 | 48.1 | 54.2 | TBD | TBD | 1000         |
| FRB 355.xx.4.55.E    | 60           | 5/16 - 7/8         | 12        | 16.1              | 14   | 37.8 | 3.9 | 19.7 | 48.4 | 54.8 | TBD | TBD | 1100         |
| FRB 400.xx.4.70.E    | 77           | 5/8 - 1            | 16        | 18.1              | 15.7 | 40.9 | 4.4 | 22.4 | 52.5 | 57.7 | TBD | TBD | 1500         |
| FRB 450.xx.4.70.E    | 77           | 3/4 - 1 1/8        | 16        | 20.3              | 17.7 | 40.9 | 4.4 | 23.6 | 57   | 62.2 | TBD | TBD | 1650   1800  |
| FRB 528.xx.4.70.E    | 77           | 7/8 - 1 1/4        | 16        | 23.4              | 20.8 | 42.7 | 4.4 | 27.9 | 57.7 | 65.1 | TBD | TBD | 2800         |
| FRB 528.xx.4.82.E    | 90           | 7/8 - 1 1/4        | 20        | 23.4              | 20.8 | 50.1 | 4.9 | 28   | 68.3 | 74.3 | TBD | TBD | 2800         |
| FRB 528.xx.4.100.E   | 110          | 7/8 - 1 1/4        | 25        | 23.4              | 20.8 | 50.7 | 5.5 | 28   | 68.6 | 75.3 | TBD | TBD | 2800         |
| FRB 528.xx.4.105.E   | 115          | 7/8 - 1 1/4        | 25        | 23.4              | 20.8 | 52.1 | 5.5 | 28   | 67.6 | 77.1 | TBD | TBD | 3850         |
| FRB 528.xx.4.137,5.E | 150          | 7/8 - 1 1/4        | 32        | 23.4              | 20.8 | 54.6 | 6.3 | 28   | 69.8 | 79.9 | TBD | TBD | 3150         |
| FRB 575.xx.4.137,5.E | 150          | 1 1/16 - 1 1/4     | 32        | 25.6              | 22.6 | 55.6 | 6.3 | 30.3 | 72.2 | 82.1 | TBD | TBD | 3000         |
| FRB 670.xx.4.137,5.E | 150          | 1 - 1 1/2          | 32        | 29.9              | 26.4 | 56.7 | 6.3 | 34.3 | 75.7 | 86   | TBD | TBD | 3200         |

Minimum Ultimate Strength = 4 x WLL

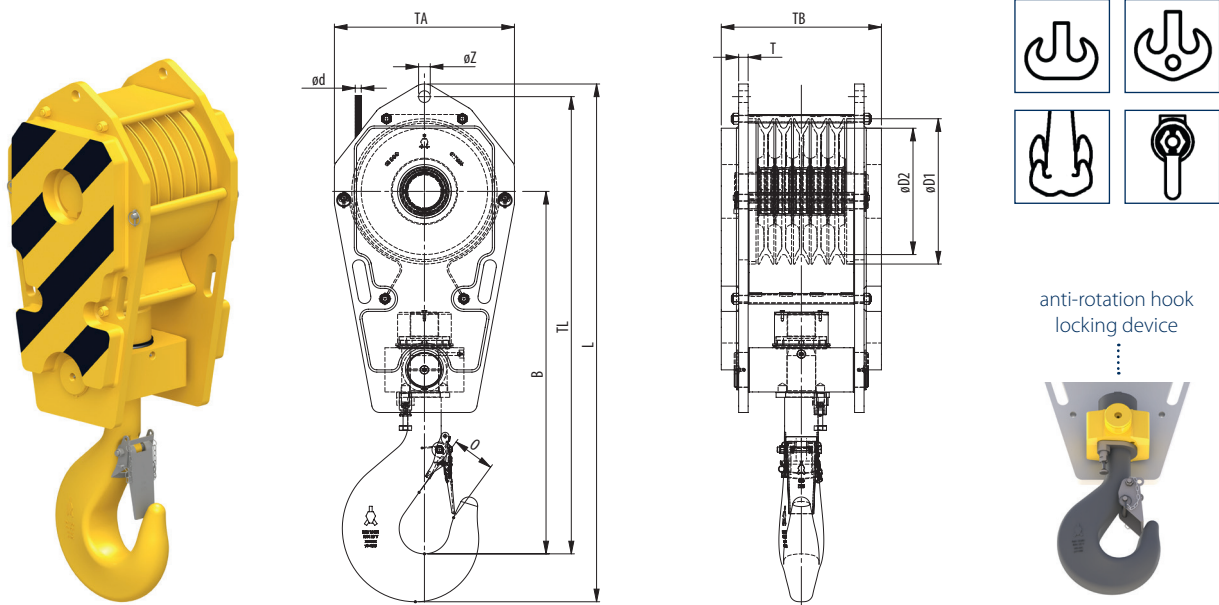
- The dimensions in this table are indicative only. A drawing will always be submitted prior to production and will be the leading document when discussing dimensions.
- Blocks shown here are standard models; inquiries for custom versions are welcome.
- Refer to wire rope manufacturers D/d ratio guideline.
- Optional: Hook locking pin.



**SEE OUR WARNING & SAFETY INFORMATION**

## FAST REEVE CRANE BLOCKS >>

## 5 SHEAVES



| Model No.          | WLL (UStons) | For wire ød (inch) | Hook size | Dimensions (inch) |      |      |     |      |      |      |     |     | Weight (lbs)              |
|--------------------|--------------|--------------------|-----------|-------------------|------|------|-----|------|------|------|-----|-----|---------------------------|
|                    |              |                    |           | øD1               | øD2  | B    | O   | TA   | TL   | L    | T   | øZ  |                           |
| FRB 355.xx.5.55.E  | 60           | 5/16 - 7/8         | 12        | 16.1              | 14   | 37.8 | 3.9 | 19.7 | 48.2 | 52.8 | TBD | TBD | 1100   1280               |
| FRB 360.xx.5.64.E  | 70           | 5/8 - 7/8          | 16        | 16.5              | 14.2 | 39.3 | 4.4 | 20.1 | 49.9 | 56.8 | TBD | TBD | 1340   1550               |
| FRB 360.xx.5.70.E  | 77           | 5/8 - 7/8          | 16        | 16.5              | 14.2 | 39.3 | 4.4 | 20.1 | 49.9 | 56.8 | TBD | TBD | 1340   1550               |
| FRB 360.xx.5.72.E  | 80           | 5/8 - 7/8          | 16        | 16.5              | 14.2 | 39.6 | 4.4 | 20.1 | 50.2 | 57.1 | TBD | TBD | 1340   1550               |
| FRB 400.xx.5.82.E  | 90           | 5/8 - 1            | 20        | 18.1              | 15.7 | 45.2 | 4.9 | 22.4 | 57   | 62.9 | TBD | TBD | 1477   1540   1600   1800 |
| FRB 400.xx.5.91.E  | 100          | 5/8 - 1            | 20        | 18.1              | 15.7 | 45.2 | 4.9 | 22.4 | 57   | 65.2 | TBD | TBD | 2250                      |
| FRB 450.xx.5.91.E  | 100          | 3/4 - 1 1/8        | 20        | 20.3              | 17.7 | 46.7 | 4.9 | 23.6 | 59.9 | 67.9 | TBD | TBD | 2250                      |
| FRB 400.xx.5.95.E  | 105          | 5/8 - 1            | 20        | 18.1              | 15.7 | 40.7 | 4.9 | 22.4 | 53.1 | 59.9 | TBD | TBD | 2250   2870               |
| FRB 400.xx.5.100.E | 110          | 5/8 - 1            | 20        | 18.1              | 15.7 | 40.7 | 4.9 | 22.4 | 53.1 | 59.9 | TBD | TBD | 2250                      |
| FRB 450.xx.5.100.E | 110          | 3/4 - 1 1/8        | 25        | 20.3              | 17.7 | 49.7 | 5.5 | 23.6 | 62.9 | 69.6 | TBD | TBD | 1900   2200   2250   2510 |
| FRB 528.xx.5.100.E | 110          | 7/8 - 1 1/4        | 25        | 23.4              | 20.8 | 49.9 | 5.5 | 28   | 65.9 | 74.6 | TBD | TBD | 2500   2800               |
| FRB 528.xx.5.100.E | 110          | 7/8 - 1 1/4        | 25        | 23.4              | 20.8 | 50.9 | 5.5 | 31.1 | 66   | 75.1 | TBD | TBD | 2860 / 3960 / 5060*       |
| FRB 575.xx.5.100.D | 110          | 1 1/4 - 1 1/4      | 25        | 25.6              | 22.6 | 33.7 | 5.5 | 30.3 | 70.2 | 78.4 | TBD | TBD | 2860 / 3960 / 5060*       |
| FRB 528.xx.5.119.E | 130          | 7/8 - 1 1/4        | 25        | 23.4              | 20.8 | 52.1 | 5.5 | 27.9 | 67.6 | 76.6 | TBD | TBD | 3300                      |
| FRB 450.xx.5.125.D | 137.5        | 3/4 - 1 1/8        | 32        | 20.3              | 17.7 | 50.7 | 6.3 | 23.6 | 63.7 | 72.1 | TBD | TBD | 3630                      |

\* Removable cheek weights

Minimum Ultimate Strength = 4 x WLL

- The dimensions in this table are indicative only. A drawing will always be submitted prior to production and will be the leading document when discussing dimensions.
- Blocks shown here are standard models; inquiries for custom versions are welcome.
- Refer to wire rope manufacturers D/d ratio guideline.
- Optional: Hook locking pin.



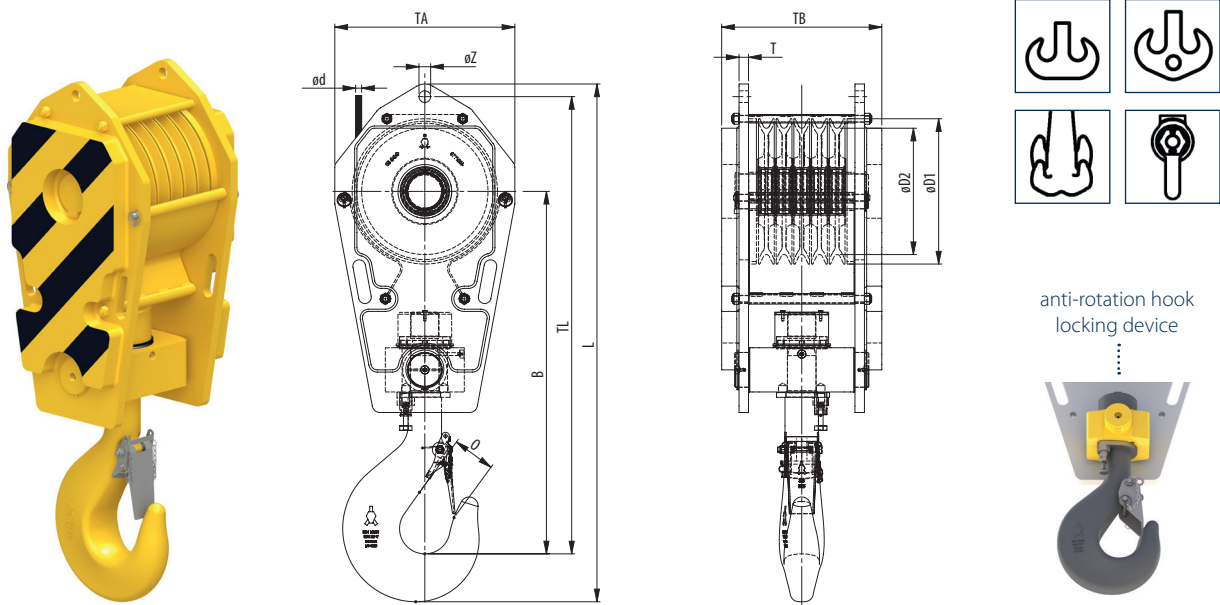
**SEE OUR WARNING & SAFETY INFORMATION**





## << FAST REEVE CRANE BLOCKS

## 5 SHEAVES



| Model No.          | WLL (USTons) | For wire ød (inch) | Hook size | Dimensions (inch) |      |      |     |      |      |      |     |     |                   | Weight (lbs) |
|--------------------|--------------|--------------------|-----------|-------------------|------|------|-----|------|------|------|-----|-----|-------------------|--------------|
|                    |              |                    |           | øD1               | øD2  | B    | O   | TA   | TL   | L    | T   | øZ  |                   |              |
| FRB 528.xx.5.125.E | 137.5        | 7/8 - 1¼           | 32        | 23.4              | 20.8 | 52.5 | 6.3 | 28   | 67.8 | 75.3 | TBD | TBD | 3500   3960       |              |
| FRB 450.xx.5.137.D | 150          | ¾ - 1⅛             | 32        | 20.3              | 17.7 | 50.8 | 6.3 | 23.6 | 64.6 | 72   | TBD | TBD | 3630              |              |
| FRB 528.xx.5.137.E | 150          | 7/8 - 1¼           | 32        | 23.4              | 20.8 | 54.4 | 6.3 | 28   | 69.8 | 79.7 | TBD | TBD | 3500              |              |
| FRB 670.xx.5.137.D | 150          | 1 - 1½             | 32        | 29.9              | 26.4 | 56.6 | 6.3 | 34.3 | 75.7 | 85.3 | TBD | TBD | 6000*             |              |
| FRB 630.xx.5.150.E | 165          | 1 - 1⅜             | 32        | 27.9              | 24.8 | 58.8 | 6.3 | 32.7 | 77.9 | 85.4 | TBD | TBD | 4600 / 6100*      |              |
| FRB 528.xx.5.160.E | 176          | 7/8 - 1¼           | 40        | 23.4              | 20.8 | 59.1 | 7.1 | 28   | 77.9 | 86.3 | TBD | TBD | 4000   4500       |              |
| FRB 575.xx.5.160.E | 176          | 1⅝ - 1¼            | 40        | 25.6              | 22.6 | 62.6 | 7.1 | 30.3 | 79.2 | 87.5 | TBD | TBD | 5500              |              |
| FRB 630.xx.5.160.D | 176          | 1 - 1⅜             | 40        | 27.9              | 24.8 | 57.6 | 7.1 | 32.7 | 75.3 | 85.4 | TBD | TBD | 5500              |              |
| FRB 670.xx.5.160.E | 176          | 1 - 1½             | 40        | 29.9              | 26.4 | 62.6 | 7.1 | 34.3 | 81.1 | 92   | TBD | TBD | 6000*             |              |
| FRB 528.xx.5.182.D | 200          | 7/8 - 1¼           | 40        | 23.4              | 20.8 | 58.1 | 7.1 | 27.9 | 73.4 | 86.5 | TBD | TBD | 3860              |              |
| FRB 575.xx.5.182.D | 200          | 1⅝ - 1¼            | 40        | 25.6              | 22.6 | 62.6 | 7.1 | 30.3 | 79.2 | 90.2 | TBD | TBD | 5500              |              |
| FRB 630.xx.5.182.E | 200          | 1 - 1⅜             | 40        | 27.9              | 24.8 | 62.3 | 7.1 | 32.7 | 79.4 | 89.8 | TBD | TBD | 5500              |              |
| FRB 670.xx.5.182.D | 200          | 1 - 1½             | 40        | 29.9              | 26.4 | 67.6 | 7.1 | 34.3 | 86.9 | 96.1 | TBD | TBD | 6000*             |              |
| FRB 630.xx.5.200.D | 220          | 1 - 1⅜             | 50        | 27.9              | 24.8 | 63.9 | 7.9 | 35.4 | 86.1 | 96.8 | TBD | TBD | 5000 up to 15400* |              |

\* Removable cheek weights

Minimum Ultimate Strength = 4 x WLL

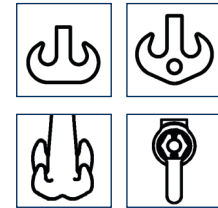
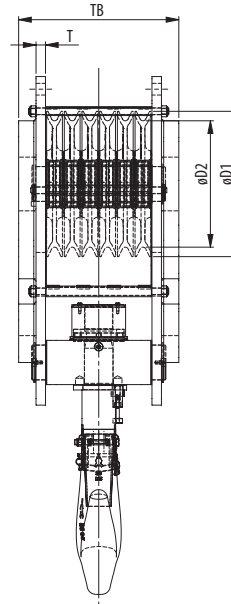
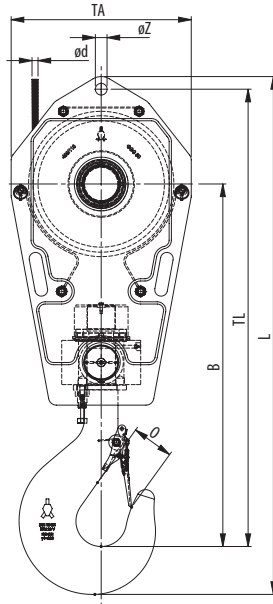
- The dimensions in this table are indicative only. A drawing will always be submitted prior to production and will be the leading document when discussing dimensions.
- Blocks shown here are standard models; inquiries for custom versions are welcome.
- Refer to wire rope manufacturers D/d ratio guideline.
- Optional: Hook locking pin.



**SEE OUR WARNING & SAFETY INFORMATION**

## FAST REEVE CRANE BLOCKS

## 6 SHEAVES



anti-rotation hook locking device



| Model No.          | WLL (UStons) | For wire ød (inch) | Hook size | Dimensions (inch) |      |      |     |      |      |      |     |     | Weight (lbs) |
|--------------------|--------------|--------------------|-----------|-------------------|------|------|-----|------|------|------|-----|-----|--------------|
|                    |              |                    |           | øD1               | øD2  | B    | O   | TA   | TL   | L    | T   | øZ  |              |
| FRB 355.xx.6.55.E  | 55           | 9/16 - 7/8         | 12        | 16.1              | 14   | 35.8 | 3.9 | 19.7 | 46   | 52.4 | TBD | TBD | 1496         |
| FRB 360.xx.6.64.E  | 70           | 5/8 - 7/8          | 16        | 16.5              | 14.2 | 38.3 | 4.4 | 20.1 | 48.9 | 50.3 | TBD | TBD | 1495         |
| FRB 400.xx.6.64.E  | 70           | 5/8 - 1            | 16        | 18.1              | 15.7 | 41.9 | 4.4 | 22.4 | 53.7 | 60.5 | TBD | TBD | 1700         |
| FRB 400.xx.6.82.E  | 90           | 5/8 - 1            | 20        | 18.1              | 15.7 | 45.2 | 4.9 | 22.4 | 57   | 62.9 | TBD | TBD | 1800         |
| FRB 450.xx.6.82.E  | 90           | 3/4 - 1 1/8        | 20        | 20.3              | 17.7 | 46.7 | 4.9 | 23.6 | 62.2 | 68.1 | TBD | TBD | 2000         |
| FRB 400.xx.6.91.E  | 100          | 5/8 - 1            | 20        | 18.1              | 15.7 | 44.6 | 4.9 | 22.4 | 56.4 | 64   | TBD | TBD | 2200         |
| FRB 450.xx.6.100.E | 110          | 3/4 - 1 1/8        | 25        | 20.3              | 17.7 | 49.7 | 5.5 | 23.6 | 62.9 | 69.6 | TBD | TBD | 2500         |
| FRB 528.xx.6.100.E | 110          | 7/8 - 1 1/4        | 25        | 23.4              | 20.8 | 50.1 | 5.5 | 28   | 64.9 | 73.4 | TBD | TBD | 2500         |
| FRB 450.xx.6.120.E | 132          | 3/4 - 1 1/8        | 25        | 20.3              | 17.7 | 47.9 | 5.5 | 22.4 | 59.8 | 68.1 | TBD | TBD | 2200         |
| FRB 528.xx.6.137.E | 150          | 7/8 - 1 1/4        | 32        | 23.4              | 20.8 | 52.5 | 6.3 | 28   | 67.8 | 77.8 | TBD | TBD | 3500         |
| FRB 528.xx.6.150.E | 165          | 7/8 - 1 1/4        | 40        | 23.5              | 20.8 | 61.1 | 7.1 | 28   | 79.5 | 87.9 | TBD | TBD | 4000         |
| FRB 528.xx.6.160.E | 176          | 7/8 - 1 1/4        | 40        | 23.5              | 20.8 | 62.2 | 7.1 | 28   | 77.8 | 86.1 | TBD | TBD | 4500   5000  |
| FRB 528.xx.6.182.E | 200          | 7/8 - 1 1/4        | 40        | 23.5              | 20.8 | 63   | 7.1 | 28   | 79.5 | 87.9 | TBD | TBD | 4500         |
| FRB 575.xx.6.182.E | 200          | 1 5/16 - 1 1/4     | 40        | 25.6              | 22.6 | 61.1 | 7.1 | 30.3 | 77.4 | 88.4 | TBD | TBD | 4500   5500  |
| FRB 670.xx.6.182.E | 200          | 1 - 1 1/2          | 40        | 29.9              | 26.4 | 61.7 | 7.1 | 34.3 | 80.2 | 90.2 | TBD | TBD | 5500         |
| FRB 528.xx.6.200.E | 220          | 7/8 - 1 1/4        | 50        | 23.5              | 20.8 | 63   | 7.9 | 28   | 79.5 | 87.9 | TBD | TBD | 5500         |
| FRB 575.xx.6.209.E | 230          | 1 5/16 - 1 1/4     | 50        | 25.6              | 22.6 | 65.4 | 7.9 | 30.3 | 81.9 | 91.2 | TBD | TBD | 6500         |

Minimum Ultimate Strength = 4 x WLL

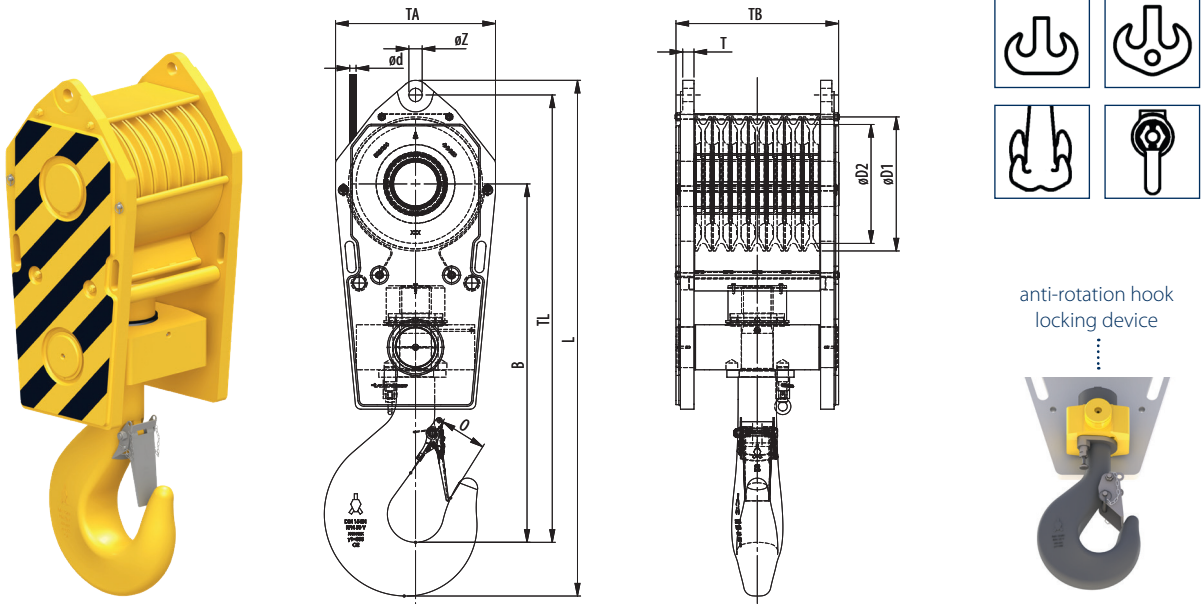
- The dimensions in this table are indicative only. A drawing will always be submitted prior to production and will be the leading document when discussing dimensions.
- Blocks shown here are standard models; inquiries for custom versions are welcome.
- Refer to wire rope manufacturers D/d ratio guideline.
- Optional: Hook locking pin.



**SEE OUR WARNING & SAFETY INFORMATION**

## FAST REEVE CRANE BLOCKS

## 7 SHEAVES



| Model No.           | WLL (USTons) | For wire ød (inch) | Hook size | Dimensions (inch) |      |      |     |      |      |      |     |     | Weight (lbs)        |
|---------------------|--------------|--------------------|-----------|-------------------|------|------|-----|------|------|------|-----|-----|---------------------|
|                     |              |                    |           | øD1               | øD2  | B    | O   | TA   | TL   | L    | T   | øZ  |                     |
| FRB 355.xx.7.75.E   | 82.5         | 5/16 - 7/8         | 16        | 16.1              | 14   | 39.2 | 4.4 | 18.9 | 49.8 | 56.8 | TBD | TBD | 1600                |
| FRB 400.xx.7.100.E  | 110          | 5/8 - 1            | 20        | 18.1              | 15.7 | 43.6 | 4.9 | 22.4 | 55.6 | 63.4 | TBD | TBD | 2400                |
| FRB 400.xx.7.118.E  | 130          | 5/8 - 1            | 25        | 18.1              | 15.7 | 48.9 | 5.5 | 22.4 | 60.9 | 69.4 | TBD | TBD | 2400                |
| FRB 400.xx.7.127.D  | 140          | 5/8 - 1            | 32        | 18.1              | 15.7 | 47.8 | 6.3 | 22.4 | 59.8 | 68.3 | TBD | TBD | 2850                |
| FRB 450.xx.7.127.E  | 140          | 3/4 - 1 1/8        | 32        | 20.3              | 17.7 | 54.3 | 6.3 | 23.6 | 67.4 | 76.9 | TBD | TBD | 3150                |
| FRB 450.xx.7.137.E  | 150          | 3/4 - 1 1/8        | 32        | 20.3              | 17.7 | 54.3 | 6.3 | 23.6 | 67.4 | 76.9 | TBD | TBD | 3100                |
| FRB 450.xx.7.160.D  | 176          | 3/4 - 1 1/8        | 40        | 20.3              | 17.7 | 58.2 | 7.1 | 23.6 | 71.4 | 80.8 | TBD | TBD | 3930                |
| FRB 528.xx.7.160.D  | 176          | 7/8 - 1 1/4        | 40        | 23.4              | 20.8 | 58.6 | 7.1 | 31.1 | 73.9 | 83.5 | TBD | TBD | 3300 / 4950 / 6600* |
| FRB 575.xx.7.171.D  | 188          | 15/16 - 1 1/4      | 40        | 25.6              | 22.6 | 56.8 | 7.1 | 30.4 | 72.7 | 82.6 | TBD | TBD | 5940                |
| FRB 528.xx.7.182.E  | 200          | 7/8 - 1 1/4        | 40        | 23.4              | 20.8 | 59.5 | 7.1 | 27.9 | 74.3 | 85.4 | TBD | TBD | 6160                |
| FRB 528.xx.7.200.D  | 220          | 7/8 - 1 1/4        | 50        | 23.4              | 20.8 | 58.8 | 7.9 | 27.9 | 74.3 | 84.2 | TBD | TBD | 5280                |
| FRB 575.xx.7.209.D  | 230          | 15/16 - 1 1/4      | 50        | 25.6              | 22.6 | 59.9 | 7.9 | 30.3 | 76.4 | 87.4 | TBD | TBD | 6500   7500         |
| FRB 575.xx.7.209.D  | 230          | 15/16 - 1 1/4      | 50        | 25.6              | 22.6 | 59.9 | 7.9 | 30.3 | 76.4 | 87.5 | TBD | TBD | 5500 / 7500 / 8500* |
| FRB 575.xx.7.209.D  | 230          | 15/16 - 1 1/4      | 50        | 25.6              | 22.6 | 59.9 | 7.9 | 30.3 | 76.4 | 87.5 | TBD | TBD | 5500 / 7500 / 9500* |
| FRB 670.xx.7.209.D  | 230          | 1 - 1 1/2          | 50        | 29.9              | 26.4 | 63.1 | 7.9 | 34.3 | 82.2 | 93.1 | TBD | TBD | 6500*               |
| FRB 670.xx.7.228.D  | 250          | 1 - 1 1/2          | 50        | 29.9              | 26.4 | 63.1 | 7.9 | 34.3 | 82.2 | 93.1 | TBD | TBD | 6500   7700*        |
| FRB 670.xx.7.250.DB | 275          | 1 - 1 1/2          | 63        | 29.9              | 26.4 | 64.6 | 8.8 | 34.3 | 83.8 | 99.5 | TBD | TBD | 10000*              |
| FRB 528.xx.7.272.D  | 300          | 7/8 - 1 1/4        | 63        | 23.4              | 20.8 | 61.8 | 8.8 | 27.9 | 77.2 | 88.8 | TBD | TBD | 6450                |

\* Removable cheek weights

Minimum Ultimate Strength = 4 x WLL

- The dimensions in this table are indicative only. A drawing will always be submitted prior to production and will be the leading document when discussing dimensions.
- Blocks shown here are standard models; inquiries for custom versions are welcome.
- Refer to wire rope manufacturers D/d ratio guideline.
- Optional: Hook locking pin.



**SEE OUR WARNING & SAFETY INFORMATION**



# CONSTRUCTION SPECIFIC BLOCKS

## STANDARD REEVE CRANE BLOCKS

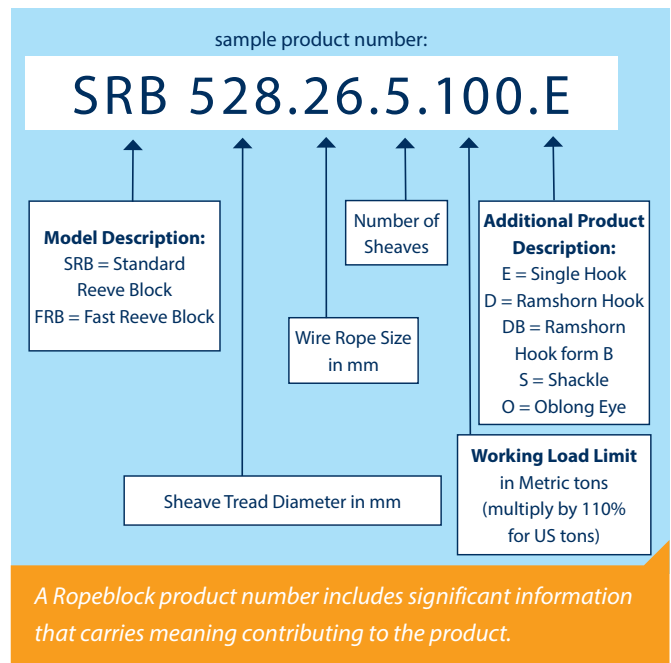
Ropeblock Standard Reeve Crane Blocks are suitable for use on a wide variety of mobile cranes, crawler cranes and other land-based cranes. These blocks are an excellent choice when frequent easy block change is not a required main feature, or lifting height is limited.

Standard features include:

- Design factor: 4:1
- Design acc. ASME B30.5, B30.10, B30.26
- Double-sealed maintenance-free roller bearings
- Forged high tensile steel DIN hooks
- Cast sheaves featuring graphite lubricated groove
- High impact-resistant side plates
- Operational temperature range: -40 up to +80°C / -40 up to +176°F
- Lubrication on hook suspension
- Short design for increased lifting height
- C3M finish in signal yellow
- Safety latch with locking pin

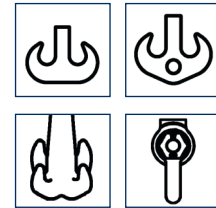
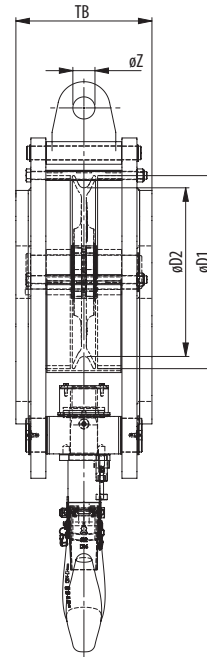
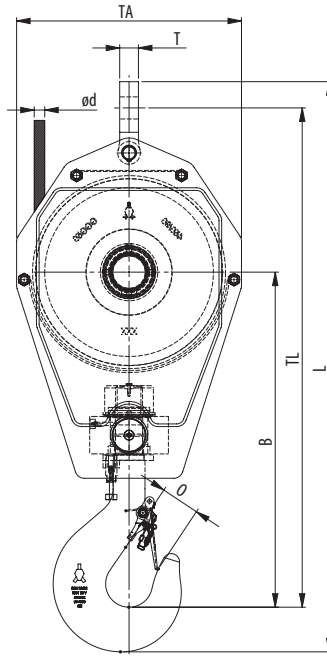
**PLEASE CONTACT US FOR MORE DETAILS**

### THE ANATOMY OF A ROPEBLOCK CRANE BLOCK PRODUCT NUMBER



## STANDARD REEVE CRANE BLOCKS

## 1 SHEAVE



anti-rotation hook locking device



| Model No.           | WLL (USTons) | For wire ød (inch) | Hook size | Dimensions (inch) |      |      |     |      |      |      |     |     | Weight (lbs)       |
|---------------------|--------------|--------------------|-----------|-------------------|------|------|-----|------|------|------|-----|-----|--------------------|
|                     |              |                    |           | øD1               | øD2  | B    | O   | TA   | TL   | L    | T   | øZ  |                    |
| SRB 225.xx.1.12,5.E | 13.7         | 3/8 - 9/16         | 5         | 10.2              | 8.9  | 20.6 | 2.5 | 13.6 | 31.4 | 35.9 | TBD | TBD | 165                |
| SRB 260.xx.1.12,5.E | 13.7         | 7/16 - 5/8         | 5         | 11.8              | 10.2 | 21.6 | 2.5 | 15.7 | 32.8 | 37.3 | TBD | TBD | 240                |
| SRB 225.xx.1.16.E   | 17.6         | 3/8 - 9/16         | 6         | 10.2              | 8.9  | 21.6 | 2.5 | 13.6 | 32.4 | 36.9 | TBD | TBD | 220                |
| SRB 260.xx.1.16.E   | 17.6         | 7/16 - 5/8         | 6         | 11.8              | 10.2 | 21.6 | 2.5 | 15.7 | 32.8 | 37.3 | TBD | TBD | 240                |
| SRB 285.xx.1.16.E   | 17.6         | 1/2 - 3/4          | 6         | 12.6              | 11   | 23.9 | 2.8 | 16.5 | 35.7 | 40.7 | TBD | TBD | 350                |
| SRB 320.xx.1.16.E   | 17.6         | 9/16 - 3/4         | 6         | 14.4              | 12.6 | 24.7 | 2.8 | 17.7 | 37.4 | 42.6 | TBD | TBD | 350                |
| SRB 355.xx.1.16.E   | 17.6         | 9/16 - 7/8         | 6         | 16.1              | 14   | 26.3 | 2.8 | 19.7 | 39.9 | 44.8 | TBD | TBD | 400                |
| SRB 320.xx.1.20.E   | 22           | 9/16 - 3/4         | 8         | 14.4              | 12.6 | 27.1 | 3.1 | 17.7 | 39.8 | 45.4 | TBD | TBD | 350                |
| SRB 355.xx.1.20.E   | 22           | 9/16 - 7/8         | 8         | 16.1              | 14   | 28.1 | 3.1 | 19.7 | 41.5 | 47.4 | TBD | TBD | 550                |
| SRB 450.xx.1.25.E   | 27.5         | 3/4 - 1 1/8        | 8         | 20.3              | 17.7 | 30.3 | 3.1 | 23.6 | 46.8 | 52.9 | TBD | TBD | 435                |
| SRB 528.xx.1.28.E   | 30           | 7/8 - 1 1/4        | 8         | 23.5              | 20.8 | 33   | 3.1 | 27.9 | 52   | 58.6 | TBD | TBD | 600                |
| SRB 400.xx.1.29.E   | 32           | 5/8 - 1            | 8         | 18.1              | 15.7 | 29.3 | 3.1 | 22.4 | 44.4 | 50.1 | TBD | TBD | 640                |
| SRB 450.xx.1.32.E   | 35           | 3/4 - 1 1/8        | 10        | 20.3              | 17.7 | 32.8 | 3.5 | 23.6 | 49.4 | 56   | TBD | TBD | 1000   1100        |
| SRB 528.xx.1.32.E   | 35           | 7/8 - 1 1/4        | 10        | 23.5              | 20.8 | 35.4 | 3.5 | 28   | 53.6 | 60.2 | TBD | TBD | 1100   1400   2000 |
| SRB 450.xx.1.40.E   | 45           | 3/4 - 1 1/8        | 12        | 20.3              | 17.7 | 42.3 | 3.9 | 23.6 | 58.5 | 65.6 | TBD | TBD | 1300               |
| SRB 450.xx.1.50.E   | 55           | 3/4 - 1 1/8        | 12        | 20.3              | 17.7 | 36.1 | 3.9 | 23.8 | 52.7 | 59.7 | TBD | TBD | 1300               |
| SRB 528.xx.1.50.E   | 55           | 7/8 - 1 1/4        | 12        | 23.5              | 20.8 | 36.8 | 3.9 | 28   | 55.6 | 63.1 | TBD | TBD | 1650               |
| SRB 575.xx.1.50.E   | 55           | 15/16 - 1 1/4      | 12        | 25.6              | 22.6 | 37.7 | 3.9 | 30.3 | 57.4 | 65.4 | TBD | TBD | 2045               |
| SRB 630.xx.1.64.E   | 70           | 1 - 1 3/8          | 16        | 28.3              | 24.8 | 38.8 | 4.4 | 32.5 | 59.9 | 68   | TBD | TBD | 2200               |
| SRB 670.xx.1.64.E   | 70           | 1 - 1 1/2          | 16        | 29.9              | 26.4 | 46.2 | 4.4 | 34.3 | 68.4 | 76.6 | TBD | TBD | 3000               |

Minimum Ultimate Strength = 4 x WLL

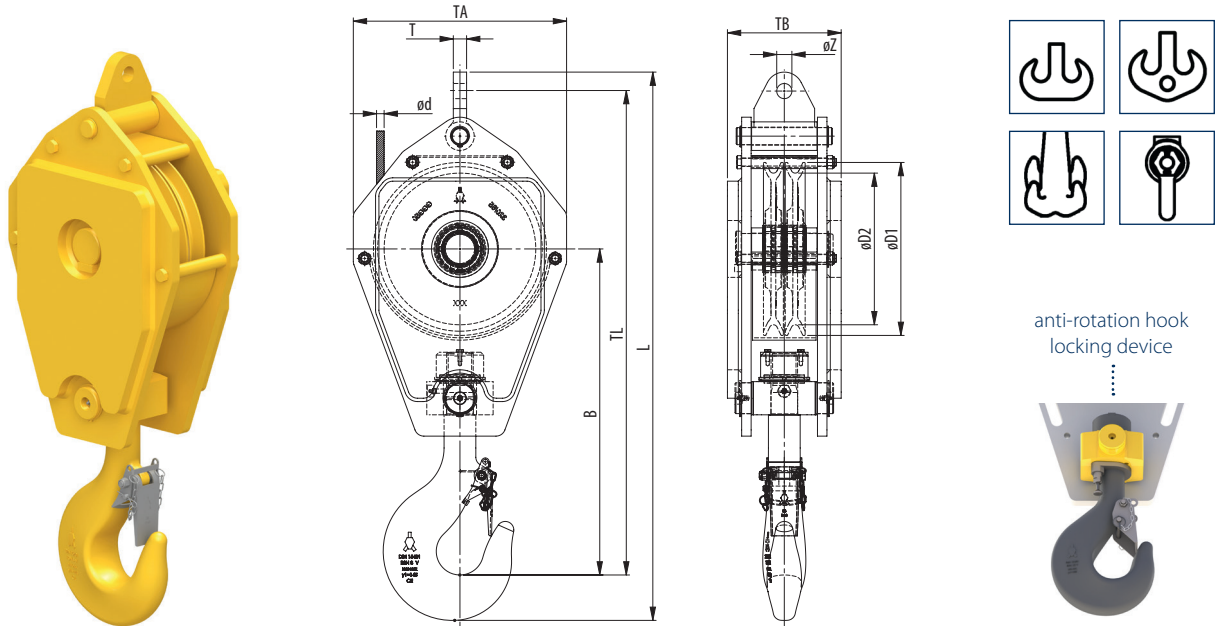
- The dimensions in this table are indicative only. A drawing will always be submitted prior to production and will be the leading document when discussing dimensions.
- Blocks shown here are standard models; inquiries for custom versions are welcome.
- Refer to wire rope manufacturers D/d ratio guideline.
- Optional: Hook locking pin.



**SEE OUR WARNING & SAFETY INFORMATION**

## STANDARD REEVE CRANE BLOCKS

## 2 SHEAVES



| Model No.          | WLL (USTons) | For wire ød (inch) | Hook size | Dimensions (inch) |      |      |     |      |      |      |     |     | Weight (lbs) |
|--------------------|--------------|--------------------|-----------|-------------------|------|------|-----|------|------|------|-----|-----|--------------|
|                    |              |                    |           | øD1               | øD2  | B    | O   | TA   | TL   | L    | T   | øZ  |              |
| SRB 225.xx.2.16.E  | 17.6         | 3/8 - 9/16         | 6         | 11.8              | 10.2 | 23.3 | 2.8 | 15.7 | 34.6 | 39.5 | TBD | TBD | 240          |
| SRB 260.xx.2.16.E  | 17.6         | 7/16 - 5/8         | 6         | 11.8              | 10.2 | 23.3 | 2.8 | 15.7 | 34.6 | 39.5 | TBD | TBD | 285          |
| SRB 285.xx.2.16.E  | 17.6         | 1/2 - 3/4          | 6         | 12.6              | 11   | 23.9 | 2.8 | 16.5 | 35.7 | 40.7 | TBD | TBD | 210          |
| SRB 260.xx.2.20.E  | 22           | 7/16 - 5/8         | 8         | 11.8              | 10.2 | 26.7 | 3.1 | 15.7 | 43   | 38   | TBD | TBD | 285   350    |
| SRB 285.xx.2.20.E  | 22           | 1/2 - 3/4          | 8         | 12.6              | 11   | 26.3 | 3.1 | 16.5 | 38.1 | 43.4 | TBD | TBD | 285   330    |
| SRB 320.xx.2.20.E  | 22           | 9/16 - 3/4         | 8         | 14.4              | 12.6 | 27.1 | 3.1 | 17.7 | 39.8 | 45.1 | TBD | TBD | 350          |
| SRB 320.xx.2.22.E  | 24           | 9/16 - 3/4         | 8         | 14.4              | 12.6 | 27.1 | 3.1 | 17.7 | 39.8 | 45.6 | TBD | TBD | 350          |
| SRB 260.xx.2.25.E  | 27.5         | 7/16 - 5/8         | 8         | 11.8              | 10.2 | 26.5 | 3.1 | 15.7 | 37.7 | 42.8 | TBD | TBD | 350          |
| SRB 320.xx.2.25.E  | 27.5         | 9/16 - 3/4         | 8         | 14.4              | 12.6 | 27.1 | 3.1 | 17.7 | 39.8 | 45.1 | TBD | TBD | 450          |
| SRB 355.xx.2.29.E  | 32           | 9/16 - 7/8         | 8         | 16.1              | 14   | 28.1 | 3.1 | 19.7 | 41.9 | 47.4 | TBD | TBD | 550          |
| SRB 400.xx.2.29.E  | 32           | 5/8 - 1            | 8         | 18.1              | 15.7 | 29.3 | 3.1 | 22.4 | 44.4 | 50.1 | TBD | TBD | 705          |
| SRB 450.xx.2.40.E  | 45           | 3/4 - 1 1/8        | 12        | 20.3              | 17.7 | 35.2 | 3.9 | 23.6 | 52   | 58.1 | TBD | TBD | 1210         |
| SRB 450.xx.2.50.E  | 55           | 3/4 - 1 1/8        | 12        | 20.3              | 17.7 | 35.2 | 3.9 | 23.6 | 52   | 59.6 | TBD | TBD | 1210         |
| SRB 400.xx.2.55.E  | 60           | 5/8 - 1            | 12        | 18.1              | 15.7 | 34   | 3.9 | 22.4 | 48.9 | 55.6 | TBD | TBD | 800          |
| SRB 528.xx.2.64.E  | 70           | 7/8 - 1 1/4        | 16        | 23.4              | 20.8 | 39.5 | 4.4 | 28   | 58.4 | 65.9 | TBD | TBD | 2155         |
| SRB 528.xx.2.80.E  | 88           | 7/8 - 1 1/4        | 20        | 23.4              | 20.8 | 43.7 | 4.9 | 28   | 62.6 | 71.2 | TBD | TBD | 2200         |
| SRB 670.xx.2.100.E | 110          | 1 - 1 3/8          | 20        | 29.9              | 26.4 | 49.5 | 4.9 | 34.3 | 71.7 | 80.4 | TBD | TBD | 4930         |

Minimum Ultimate Strength = 4 x WLL

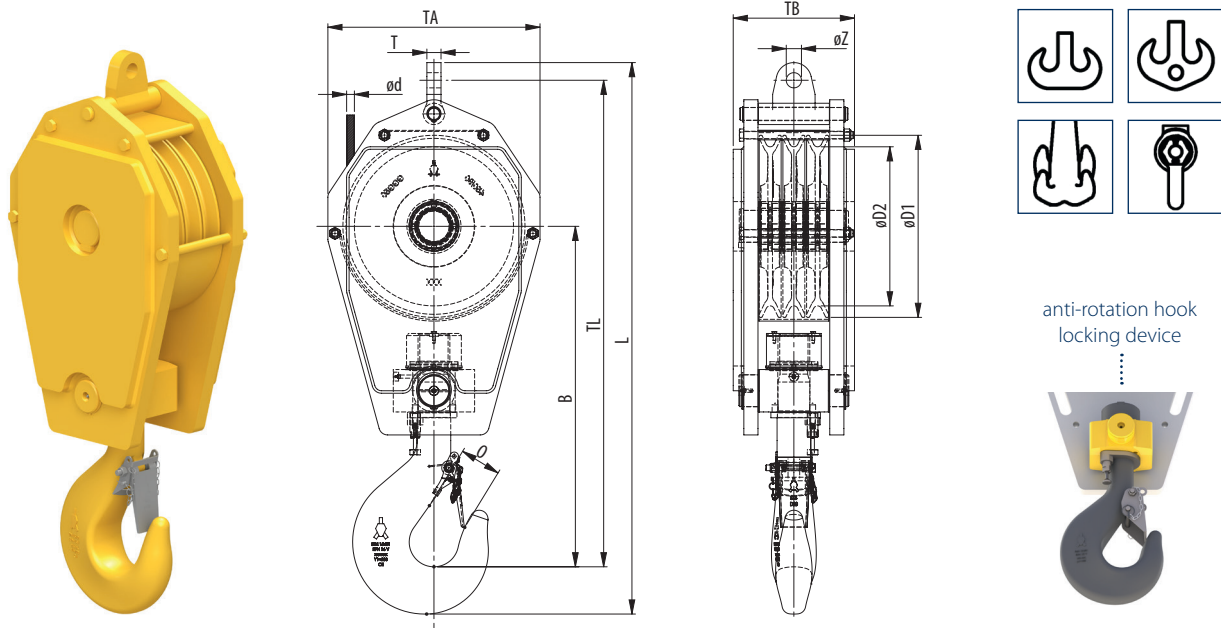
- The dimensions in this table are indicative only. A drawing will always be submitted prior to production and will be the leading document when discussing dimensions.
- Blocks shown here are standard models; inquiries for custom versions are welcome.
- Refer to wire rope manufacturers D/d ratio guideline.
- Optional: Hook locking pin.



**SEE OUR WARNING & SAFETY INFORMATION**

## STANDARD REEVE CRANE BLOCKS

## 3 SHEAVES



| Model No.          | WLL (UStons) | For wire ød (inch) | Hook size | Dimensions (inch) |      |      |     |      |      |      |     |     |             | Weight (lbs) |
|--------------------|--------------|--------------------|-----------|-------------------|------|------|-----|------|------|------|-----|-----|-------------|--------------|
|                    |              |                    |           | øD1               | øD2  | B    | O   | TA   | TL   | L    | T   | øZ  |             |              |
| SRB 260.xx.3.25.E  | 27.5         | 7/16 - 5/8         | 8         | 11.8              | 10.2 | 25.9 | 3.1 | 15.7 | 37.5 | 42.8 | TBD | TBD | 465         |              |
| SRB 285.xx.3.29.E  | 32           | 1/2 - 3/4          | 8         | 12.8              | 11.2 | 26.3 | 3.1 | 15.7 | 38.5 | 43.8 | TBD | TBD | 465         |              |
| SRB 320.xx.3.29.E  | 32           | 9/16 - 3/4         | 8         | 14.4              | 12.6 | 28.1 | 3.1 | 17.7 | 41.3 | 46.6 | TBD | TBD | 495         |              |
| SRB 355.xx.3.32.E  | 35           | 5/8 - 7/8          | 10        | 16.1              | 14   | 29.6 | 3.5 | 19.7 | 43   | 49   | TBD | TBD | 715         |              |
| SRB 360.xx.3.40.E  | 44           | 5/8 - 7/8          | 12        | 16.1              | 14.2 | 33   | 3.9 | 19.7 | 46.4 | 52.8 | TBD | TBD | 1000        |              |
| SRB 400.xx.3.40.E  | 44           | 5/8 - 1            | 12        | 18.1              | 15.7 | 34   | 3.9 | 22.4 | 49   | 55.6 | TBD | TBD | 1100        |              |
| SRB 400.xx.3.50.E  | 55           | 5/8 - 1            | 12        | 18.1              | 15.7 | 34   | 3.9 | 22.4 | 49   | 56.1 | TBD | TBD | 1100   1200 |              |
| SRB 450.xx.3.50.E  | 55           | 3/4 - 1 1/8        | 16        | 20.3              | 17.7 | 38.6 | 4.4 | 23.6 | 53.5 | 60.3 | TBD | TBD | 1450        |              |
| SRB 360.xx.3.55.E  | 60           | 5/8 - 7/8          | 12        | 16.1              | 14.2 | 33   | 3.9 | 19.7 | 46.4 | 52.9 | TBD | TBD | 1000        |              |
| SRB 400.xx.3.55.E  | 60           | 5/8 - 1            | 12        | 18.1              | 15.7 | 34   | 3.9 | 22.4 | 49   | 55.6 | TBD | TBD | 1200        |              |
| SRB 450.xx.3.64.E  | 70           | 3/4 - 1 1/8        | 16        | 20.3              | 17.7 | 37.9 | 4.4 | 23.6 | 54.2 | 61.3 | TBD | TBD | 1500   1700 |              |
| SRB 450.xx.3.70.E  | 77           | 3/4 - 1 1/8        | 16        | 20.3              | 17.7 | 38.3 | 4.4 | 23.6 | 55   | 62.9 | TBD | TBD | 1500   1650 |              |
| SRB 528.xx.3.82.E  | 90           | 7/8 - 1 1/4        | 20        | 23.4              | 20.8 | 44.6 | 4.9 | 28   | 63.5 | 71.7 | TBD | TBD | 2500        |              |
| SRB 528.xx.3.100.E | 110          | 7/8 - 1 1/4        | 25        | 23.4              | 20.8 | 48.1 | 5.5 | 28   | 66.3 | 75.3 | TBD | TBD | 2800        |              |
| SRB 670.xx.3.125.E | 137.5        | 1 - 1 3/8          | 25        | 29.9              | 26.4 | 53.3 | 5.5 | 34.3 | 75.5 | 85   | TBD | TBD | 6380        |              |

Minimum Ultimate Strength = 4 x WLL

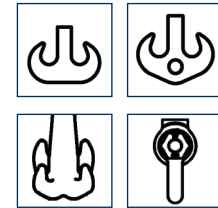
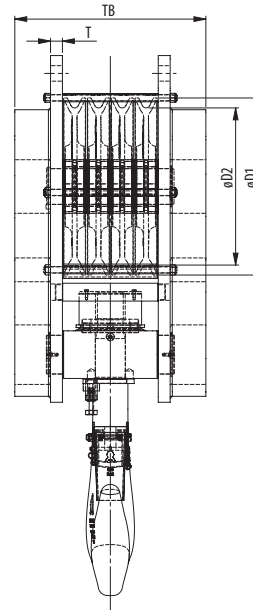
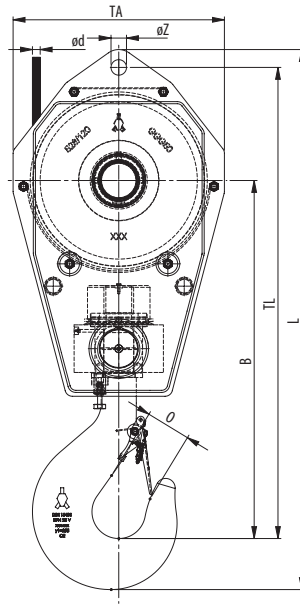
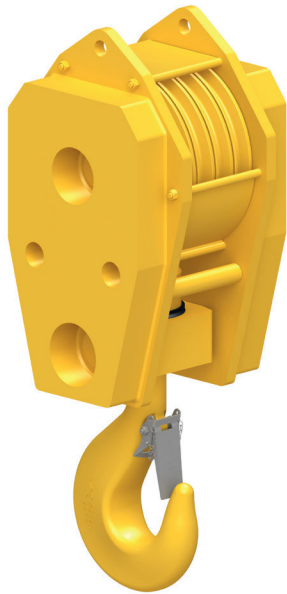
- The dimensions in this table are indicative only. A drawing will always be submitted prior to production and will be the leading document when discussing dimensions.
- Blocks shown here are standard models; inquiries for custom versions are welcome.
- Refer to wire rope manufacturers D/d ratio guideline.
- Optional: Hook locking pin.



**SEE OUR WARNING & SAFETY INFORMATION**

## STANDARD REEVE CRANE BLOCKS

## 4 SHEAVES



anti-rotation hook locking device



| Model No.          | WLL (UStons) | For wire ød (inch) | Hook size | Dimensions (inch) |      |      |     |      |      |      |     |     | Weight (lbs) |
|--------------------|--------------|--------------------|-----------|-------------------|------|------|-----|------|------|------|-----|-----|--------------|
|                    |              |                    |           | øD1               | øD2  | B    | O   | TA   | TL   | L    | T   | øZ  |              |
| SRB 285.xx.4.35.E  | 38.5         | ½ - ¾              | 10        | 12.8              | 11.2 | 26   | 3.5 | 15.7 | 36.2 | 40.4 | TBD | TBD | 570          |
| SRB 355.xx.4.50.E  | 55           | ⅝ - ⅞              | 12        | 16.1              | 14   | 33   | 3.9 | 19.7 | 43.9 | 50.8 | TBD | TBD | 1045         |
| SRB 528.xx.4.55.E  | 60           | ⅞ - 1¼             | 12        | 23.5              | 20.8 | 38.5 | 3.9 | 28   | 53.5 | 60.6 | TBD | TBD | 2600         |
| SRB 400.xx.4.64.E  | 70           | ⅝ - 1              | 16        | 18.1              | 15.7 | 35.6 | 4.4 | 22.4 | 47.2 | 54.4 | TBD | TBD | 1155         |
| SRB 450.xx.4.64.E  | 70           | ¾ - 1⅝             | 16        | 20.3              | 17.7 | 38   | 4.4 | 23.6 | 52   | 59.2 | TBD | TBD | 1595         |
| SRB 528.xx.4.70.E  | 77           | ⅞ - 1¼             | 16        | 23.5              | 20.8 | 40.4 | 4.4 | 28   | 55.3 | 63   | TBD | TBD | 3850         |
| SRB 450.xx.4.82.E  | 90           | ¾ - 1⅝             | 20        | 20.3              | 17.7 | 41.2 | 4.9 | 23.6 | 51.6 | 59.8 | TBD | TBD | 2110         |
| SRB 450.xx.4.82.E  | 90           | ¾ - 1⅝             | 20        | 20.3              | 17.7 | 41.2 | 4.9 | 23.6 | 51.6 | 59.8 | TBD | TBD | 2110         |
| SRB 528.xx.4.105.E | 115          | ⅞ - 1¼             | 25        | 23.4              | 20.8 | 48.1 | 5.5 | 28   | 62.7 | 71.8 | TBD | TBD | 3900         |
| SRB 710.xx.4.105.E | 115          | 1⅝ - 1½            | 25        | 31.5              | 28   | 53.3 | 5.5 | 35.4 | 73.9 | 84.4 | TBD | TBD | 3000         |
| SRB 450.xx.4.108.E | 120          | ¾ - 1⅝             | 25        | 20.3              | 17.7 | 46.8 | 5.5 | 23.6 | 60.2 | 68.9 | TBD | TBD | 3200         |
| SRB 670.xx.4.160.E | 176          | 1 - 1⅝             | 40        | 29.9              | 26.4 | 60.7 | 7.1 | 34.3 | 82.9 | 94   | TBD | TBD | 6930         |

Minimum Ultimate Strength = 4 x WLL

- The dimensions in this table are indicative only. A drawing will always be submitted prior to production and will be the leading document when discussing dimensions.
- Blocks shown here are standard models; inquiries for custom versions are welcome.
- Refer to wire rope manufacturers D/d ratio guideline.
- Optional: Hook locking pin.

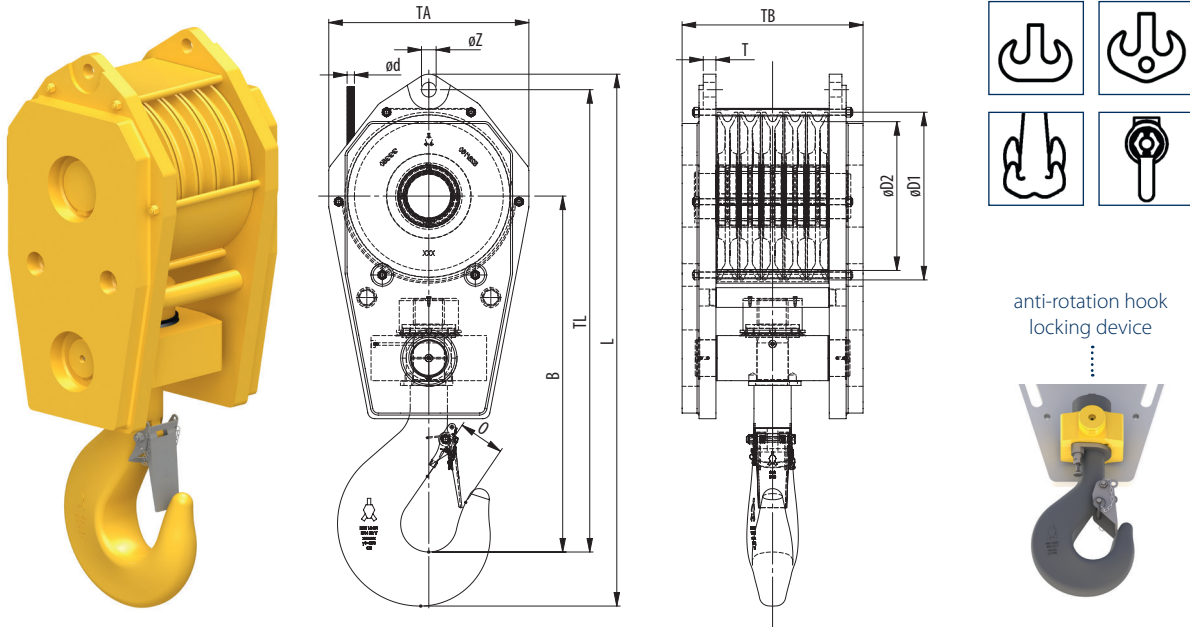


**SEE OUR WARNING & SAFETY INFORMATION**



## STANDARD REEVE CRANE BLOCKS

## 5 SHEAVES



| Model No.            | WLL (USTons) | For wire ød (inch) | Hook size | Dimensions (inch) |      |      |     |      |      |      |     |     | Weight (lbs) |
|----------------------|--------------|--------------------|-----------|-------------------|------|------|-----|------|------|------|-----|-----|--------------|
|                      |              |                    |           | øD1               | øD2  | B    | O   | TA   | TL   | L    | T   | øZ  |              |
| SRB 355.xx.5.55.E    | 60           | 5/16 - 7/8         | 12        | 16.1              | 14   | 33   | 4.4 | 19.7 | 44.6 | 51.4 | TBD | TBD | 1100         |
| SRB 360.xx.5.64.E    | 70           | 5/8 - 7/8          | 16        | 16.1              | 14.2 | 39.1 | 4.4 | 19.7 | 47.2 | 54.1 | TBD | TBD | 1320         |
| SRB 528.xx.5.70.E    | 77           | 7/8 - 1 1/4        | 16        | 23.4              | 20.8 | 40.8 | 4.4 | 27.9 | 55.7 | 63.1 | TBD | TBD | 2800         |
| SRB 400.xx.5.73.E    | 80           | 5/8 - 1            | 16        | 18.1              | 15.7 | 37.6 | 4.4 | 22.4 | 49.6 | 56.7 | TBD | TBD | 1650         |
| SRB 360.xx.5.80.E    | 88           | 5/8 - 7/8          | 20        | 16.1              | 14.2 | 39.1 | 4.9 | 19.7 | 50.5 | 58.1 | TBD | TBD | 1805         |
| SRB 400.xx.5.82.E    | 90           | 5/8 - 1            | 20        | 18.1              | 15.7 | 40.7 | 4.9 | 22.4 | 53.7 | 61.6 | TBD | TBD | 1800         |
| SRB 450.xx.5.82.E    | 90           | 3/4 - 1 1/8        | 20        | 20.3              | 17.7 | 42.2 | 4.9 | 23.6 | 56.3 | 64.2 | TBD | TBD | 2250         |
| SRB 450.xx.5.100.E   | 110          | 3/4 - 1 1/8        | 25        | 20.3              | 17.7 | 44.4 | 5.5 | 23.6 | 58.5 | 67.6 | TBD | TBD | 2500         |
| SRB 528.xx.5.125.E   | 137.5        | 7/8 - 1 1/4        | 32        | 23.4              | 20.8 | 49.7 | 6.3 | 28   | 66.8 | 76.6 | TBD | TBD | 3500         |
| SRB 528.xx.5.137,5.E | 150          | 7/8 - 1 1/4        | 32        | 23.4              | 20.8 | 52.5 | 6.3 | 28   | 50.1 | 77.8 | TBD | TBD | 3500         |
| SRB 528.xx.5.160.E   | 176          | 7/8 - 1 1/4        | 40        | 23.4              | 20.8 | 55.4 | 7.1 | 28   | 70.7 | 81.8 | TBD | TBD | 3640         |
| FRB 670.xx.5.200.E   | 220          | 1 - 1 3/8          | 50        | 29.9              | 26.4 | 64.6 | 7.9 | 34.3 | 83.9 | 95.9 | TBD | TBD | 7830         |

Minimum Ultimate Strength = 4 x WLL

- The dimensions in this table are indicative only. A drawing will always be submitted prior to production and will be the leading document when discussing dimensions.
- Blocks shown here are standard models; inquiries for custom versions are welcome.
- Refer to wire rope manufacturers D/d ratio guideline.
- Optional: Hook locking pin.



**SEE OUR WARNING & SAFETY INFORMATION**



## CONSTRUCTION SPECIFIC BLOCKS

### OVERHAUL BALLS

In Ropeblock Overhaul Balls, weights are based on average boom lengths and efficiency loss in mobile cranes and crawler cranes. The low friction and easy to access hook swivel design makes these overhaul balls an excellent choice for a wide variety of crane applications.

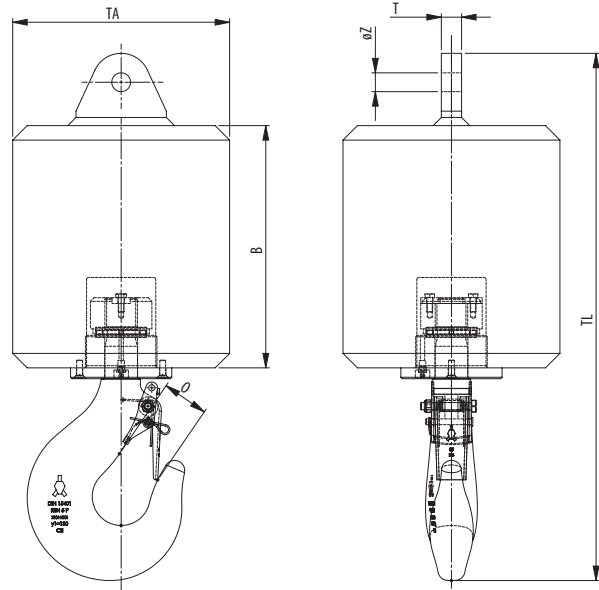
Standard features include:

- Design factor: 4:1
- Design acc. ASME B30.5, B30.10, B30.26
- Bottom and top swivelling hook

- High quality, low friction thrust bearing
- Becket size optimized for Ropeblock Sockets such as Open Wedge Sockets (OWS), Open Spelter Sockets (OSS), Fast Connector Sockets (FCS) or Super Reeve Connector Sockets (SCS)
- Forged high tensile steel EN/DIN hooks
- Body made of forged bar material
- Operational temperature range: -40 up to +80°C / -40 up to +176°F
- High impact-resistant body
- C3M finish, signal yellow

**PLEASE CONTACT US FOR MORE DETAILS**

## OVERHAUL BALLS



| Model No.        | WLL (UStons) | For wire ød (inch) | Hook | Becket | Dimensions (inch) |     |      |      |     |     | Weight (lbs) |
|------------------|--------------|--------------------|------|--------|-------------------|-----|------|------|-----|-----|--------------|
|                  |              |                    |      |        | B                 | O   | TA   | TL   | T   | øZ  |              |
| OHB 3,2.60.C-1   | 3.5          | ½                  | 2.5  | 1      | 7.9               | 2.0 | 8.7  | 19.7 | 0.9 | 1.1 | 130          |
| OHB 3,2.60.C-2   | 3.5          | ⅞ - 5/8            | 2.5  | 2      | 7.9               | 2.0 | 8.7  | 19.9 | 1.1 | 1.3 | 130          |
| OHB 5.80.C-2     | 5.5          | ⅞ - 5/8            | 2.5  | 2      | 8.7               | 2.0 | 9.4  | 22.3 | 1.1 | 1.3 | 175          |
| OHB 6,3.80.C-2   | 6.9          | ⅞ - 5/8            | 2.5  | 2      | 8.7               | 2.0 | 9.4  | 22.3 | 1.1 | 1.3 | 175          |
| OHB 8.130.C-3    | 8.8          | ¾                  | 4    | 3      | 12.2              | 2.2 | 10.1 | 28.3 | 1.4 | 1.5 | 285          |
| OHB 8.170.C-3    | 8.8          | ¾                  | 4    | 3      | 13.4              | 2.2 | 10.9 | 26.8 | 1.4 | 1.5 | 375          |
| OHB 8.200.C-3    | 8.8          | ¾                  | 5    | 3      | 13.2              | 2.5 | 11.8 | 28.7 | 1.1 | 1.0 | 440          |
| OHB 8.250.C.3    | 8.8          | ¾                  | 4    | 3      | 15.7              | 2.2 | 12.5 | 34.0 | 1.4 | 1.5 | 550          |
| OHB 10.210.C-4   | 11           | ⅞                  | 4    | 4      | 15.0              | 2.2 | 11.7 | 29.6 | 1.6 | 1.7 | 460          |
| OHB 10.250.C-5   | 11           | 1                  | 4    | 5      | 15.7              | 2.2 | 12.5 | 30.4 | 1.8 | 2.0 | 550          |
| OHB 12.328.C-4   | 13.2         | ⅞                  | 5    | 4      | 15.8              | 2.5 | 13.8 | 34.6 | 1.6 | 1.7 | 722          |
| OHB 12,5.200.C-4 | 13.75        | ⅞                  | 5    | 4      | 13.2              | 2.5 | 11.8 | 31.3 | 1.6 | 1.7 | 440          |
| OHB 12,5.250.C-5 | 13.75        | 1                  | 5    | 5      | 15.7              | 2.5 | 12.5 | 32.6 | 1.8 | 2.0 | 550          |
| OHB 12,5.370.C-5 | 13.75        | 1                  | 5    | 5      | 17.7              | 2.5 | 13.8 | 34.6 | 1.8 | 2.0 | 814          |
| OHB 16.370.C-5   | 17.6         | 1                  | 6    | 5      | 17.7              | 2.8 | 12.5 | 38.7 | 1.8 | 2.0 | 814          |
| OHB 16.450.C-5   | 17.6         | 1                  | 6    | 5      | 17.3              | 2.8 | 15.7 | 38.3 | 1.8 | 2.0 | 990          |
| OHB 16.545.P-5   | 17.6         | 1                  | 6    | 5      | 18.1              | 2.8 | 17.7 | 39.5 | 1.8 | 2.0 | 1200         |
| OHB 20.575.P-6   | 22           | 1 ⅞                | 8    | 6      | 18.5              | 3.1 | 16.0 | 42.3 | 2.0 | 2.3 | 1265         |
| OHB 20.725.P-6   | 22           | 1 ⅞                | 8    | 6      | 24.0              | 3.1 | 17.7 | 47.2 | 2.0 | 2.3 | 1600         |
| OHB 20.910.P-6   | 22           | 1 ⅞                | 8    | 6      | 24.2              | 3.1 | 19.7 | 47.4 | 2.0 | 2.3 | 2000         |
| OHB 25.725.P-7   | 27.5         | 1 ¼                | 8    | 7      | 20.1              | 3.1 | 18.1 | 42.4 | 2.4 | 2.6 | 1600         |
| OHB 25.725.P-8   | 27.5         | 1 ⅜                | 8    | 8      | 20.1              | 3.1 | 18.1 | 42.4 | 2.4 | 2.6 | 1600         |
| OHB 25.910.P-7   | 27.5         | 1 ¼                | 8    | 7      | 24.0              | 3.1 | 18.1 | 46.4 | 2.4 | 2.6 | 2000         |
| OHB 25.910.P-8   | 27.5         | 1 ⅜                | 8    | 8      | 24.0              | 3.1 | 18.1 | 46.4 | 2.4 | 2.6 | 2000         |
| OHB 32.365.P-8   | 35           | 1 ⅞                | 10   | 6      | 15.7              | 3.5 | 14.6 | 49.6 | 2.6 | 2.6 | 800          |
| OHB 32.725.P-7   | 35           | 1 ¼                | 10   | 7      | 23.6              | 3.5 | 17.7 | 45.4 | 2.4 | 2.6 | 1600         |
| OHB 32.910.P-9   | 35           | 1-½                | 10   | 9      | 24.2              | 3.5 | 19.7 | 46.0 | 2.8 | 2.8 | 2000         |

Minimum Ultimate Strength = 4 x WLL

- The dimensions in this table are indicative only. A drawing will always be submitted prior to production and will be the leading document when discussing dimensions.
- Overhaul Balls shown here are standard models; inquiries for custom versions are welcome.



**SEE OUR WARNING & SAFETY INFORMATION**



# CONSTRUCTION SPECIFIC BLOCKS

## ROUND OVERHAUL BALLS

The weight of the overhaul balls in this segment are based on average boom lengths and efficiency loss in mobile and crawler cranes. The low friction and easy to access hook swivel design makes the OHB series an excellent choice for a wide variety of crane applications.

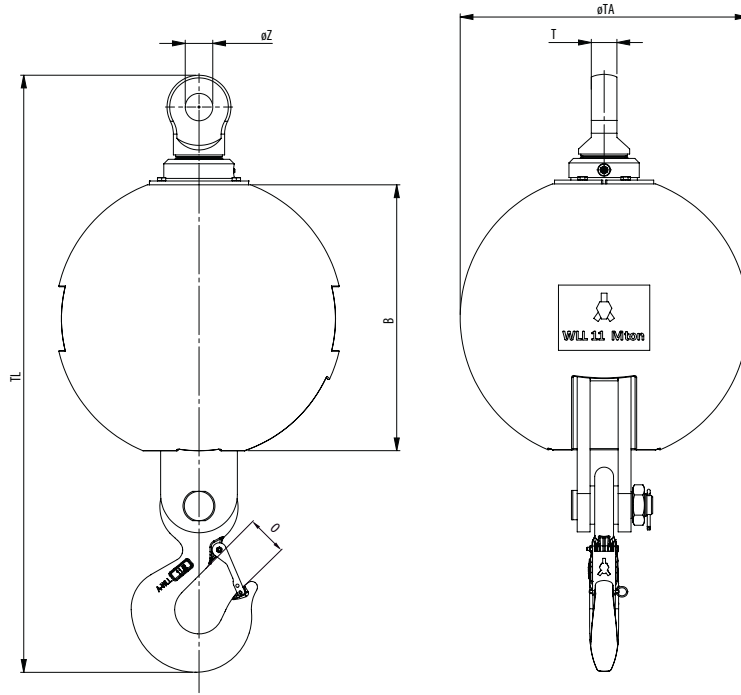
Standard features include:

- Top swivelling eye
- Design Factor of 4:1
- Design acc. ASME B30.5, B30.10, B30.26
- High quality, low friction thrust bearing

- Becket size optimized for Ropeblock Sockets such as Open Wedge (OWS), Open Spelter Sockets (OSS), Fast Connector Sockets (FCS) or Super Reeve Connector Sockets (SCS)
- Forged alloy eye hook acc. EN 1677-2
- Body made of cast material
- High impact resistant body
- Operational temperature range: -40 up to +80°C / -40 up to +176°F
- C3M finish, signal yellow

**PLEASE CONTACT YOUR SALES REPRESENTATIVE FOR MORE DETAILS**

## ROUND OVERHAUL BALLS



| Model No.       | WLL (UStons) | For wire ød (inch) | Dimensions (inch) |     |      |      |     |     | Weight (lbs) |
|-----------------|--------------|--------------------|-------------------|-----|------|------|-----|-----|--------------|
|                 |              |                    | B                 | O   | øTA  | TL   | T   | øZ  |              |
| OHB-B 4,5.50-x  | 5            | ½ - ¾              | 7.8               | 1.7 | 9.1  | 26.2 | TBD | TBD | 110          |
| OHB-B 4,5.110-x | 5            | ½ - ¾              | 11.4              | 1.7 | 12.3 | 27.4 | TBD | TBD | 242          |
| OHB-B 4,5.145-x | 5            | ½ - ¾              | 12.6              | 1.7 | 13.5 | 28.9 | TBD | TBD | 320          |
| OHB-B 7.50-x    | 8            | ½ - ¾              | 7.8               | 1.7 | 9.1  | 26.2 | TBD | TBD | 110          |
| OHB-B 7.80-x    | 8            | ½ - ¾              | 10                | 1.7 | 11   | 26.2 | TBD | TBD | 175          |
| OHB-B 7.110-x   | 8            | ½ - ¾              | 11.4              | 1.7 | 12.3 | 27.4 | TBD | TBD | 242          |
| OHB-B 7.145-x   | 8            | ½ - ¾              | 12.6              | 1.7 | 13.5 | 28.9 | TBD | TBD | 320          |
| OHB-B 11.180-x  | 12           | ¾ - 1 ½            | 13.1              | 2.1 | 14.6 | 33   | TBD | TBD | 396          |
| OHB-B 11.265-x  | 12           | ¾ - 1 ½            | 15.4              | 2.1 | 16.7 | 35.9 | TBD | TBD | 583          |
| OHB-B 11.320-x  | 12           | ¾ - 1 ½            | 16.4              | 2.1 | 17.7 | 36.9 | TBD | TBD | 705          |
| OHB-B 11.530-x  | 12           | ¾ - 1 ½            | 20                | 2.1 | 21.1 | 40.4 | TBD | TBD | 1165         |
| OHB-B 14.270-x  | 15           | ¾ - 1 ½            | 15.4              | 2.3 | 16.7 | 37.1 | TBD | TBD | 594          |
| OHB-B 14.325-x  | 15           | ¾ - 1 ½            | 16.4              | 2.3 | 17.7 | 38.5 | TBD | TBD | 715          |
| OHB-B 14.387-x  | 15           | ¾ - 1 ½            | 17.7              | 2.3 | 18.9 | 38.9 | TBD | TBD | 850          |
| OHB-B 18.195-x  | 20           | ¾ - 1 ½            | 13.1              | 3.1 | 14.6 | 38.3 | TBD | TBD | 429          |
| OHB-B 18.330-x  | 20           | ¾ - 1 ½            | 16.4              | 3.1 | 17.7 | 42   | TBD | TBD | 726          |
| OHB-B 18.392-x  | 20           | ¾ - 1 ½            | 17.7              | 3.1 | 18.9 | 42.6 | TBD | TBD | 862          |
| OHB-B 18.545-x  | 20           | ¾ - 1 ½            | 20                | 3.1 | 21.1 | 45.6 | TBD | TBD | 1200         |

Minimum Ultimate Strength = 4 x WLL

- The dimensions in this table are indicative only. A drawing will always be submitted prior to production and will be the leading document when discussing dimensions.
- Overhaul Balls shown here are standard models; inquiries for custom versions are welcome.



**SEE OUR WARNING & SAFETY INFORMATION**