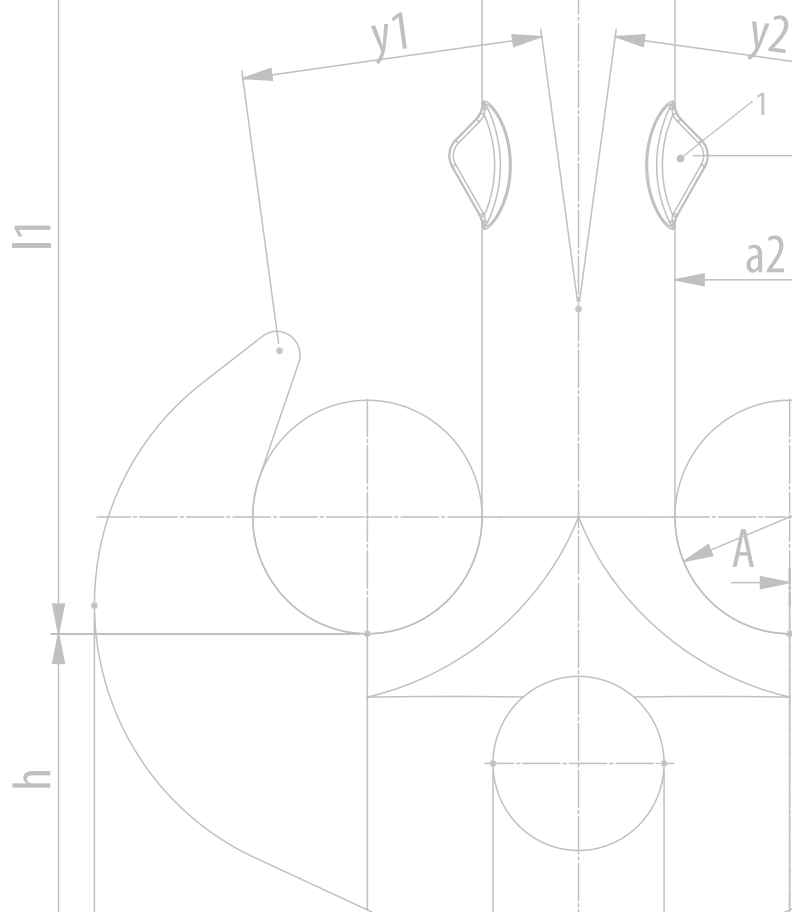




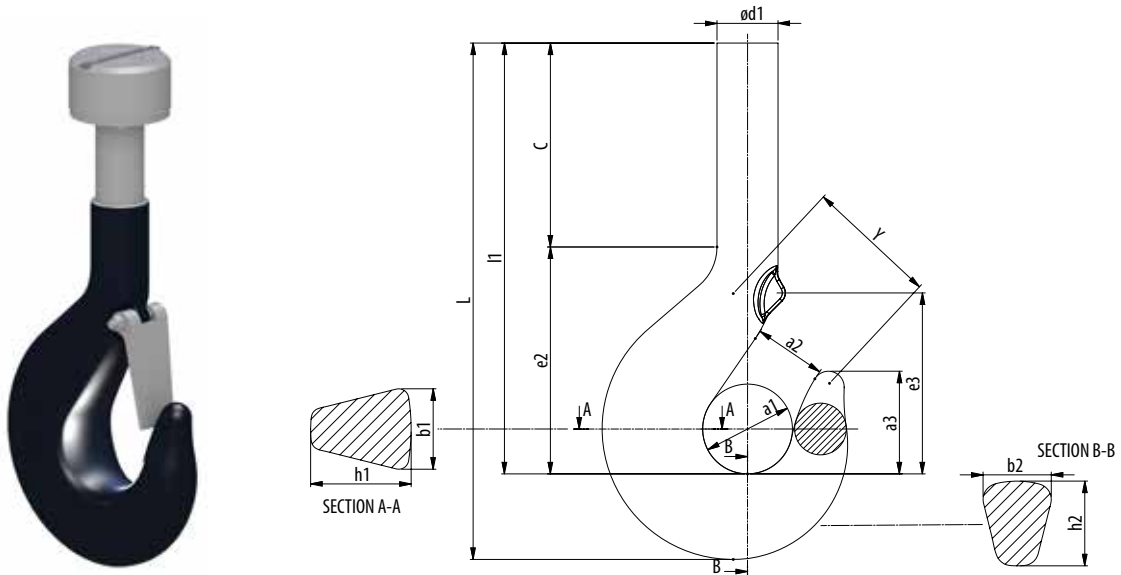
# COMPONENTS

The Ropeblock portfolio includes a wide choice of proven quality components for various lifting & rigging purposes, such as split overhaul balls, triangle plates and pad eyes. These components come in all current sizes and weight categories and are mostly available from stock.



## SINGLE HOOK

ACCORDING TO EN 13001-3-5 ANNEX A1 & A2  
[PREVIOUSLY DIN 15401]



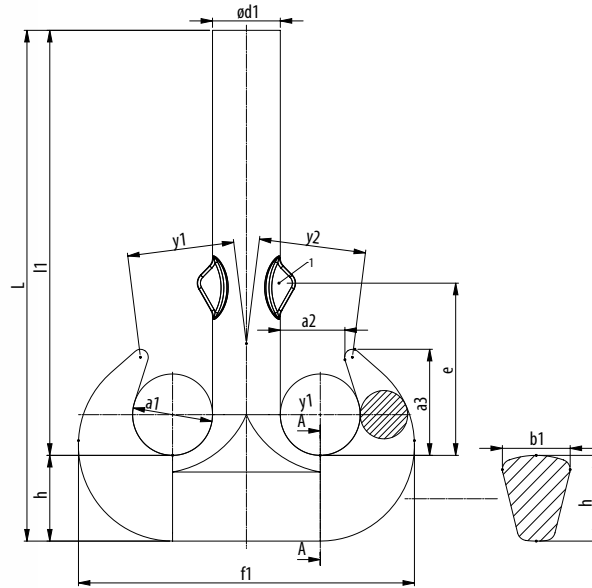
| Hook No. | Lifting capacity (UStons) |         |         | Dimensions (inch) |       |       |       |       |       |       |       |       |       |       |        |       | Weight (lbs) |         |
|----------|---------------------------|---------|---------|-------------------|-------|-------|-------|-------|-------|-------|-------|-------|-------|-------|--------|-------|--------------|---------|
|          | V-Class                   | T-class | P-class | a1                | a2    | a3    | b1    | b2    | c     | ød1   | e2    | e3    | h1    | h2    | L      | l1    |              | Y       |
| 1.6      | 8                         | 6,3     | 4       | 2.20              | 1.77  | 2.52  | 1.77  | 1.50  | 2.52  | 1.42  | 5.75  | 4.65  | 2.20  | 1.89  | 10.47  | 8.27  | 2.95         | 9.9     |
| 2.5      | 12,5                      | 10      | 6,3     | 2.48              | 1.97  | 2.83  | 2.09  | 1.77  | 3.46  | 1.65  | 6.57  | 5.20  | 2.64  | 2.28  | 12.68  | 10.04 | 3.15         | 13.7    |
| 4        | 20                        | 16      | 10      | 2.80              | 2.20  | 3.15  | 2.48  | 2.09  | 5.51  | 1.89  | 7.48  | 5.83  | 3.15  | 2.64  | 16.14  | 12.99 | 5.12         | 21.8    |
| 5        | 25                        | 20      | 12,5    | 3.15              | 2.48  | 3.54  | 2.80  | 2.36  | 7.28  | 2.09  | 8.46  | 6.50  | 3.54  | 2.95  | 19.29  | 15.75 | 5.12         | 33.3    |
| 6        | 32                        | 25      | 16      | 3.54              | 2.80  | 3.98  | 3.15  | 2.64  | 7.28  | 2.36  | 9.45  | 7.28  | 3.94  | 3.35  | 20.67  | 16.73 | 5.12         | 47      |
| 8        | 40                        | 32      | 20      | 3.94              | 3.15  | 4.45  | 3.54  | 2.95  | 7.95  | 2.64  | 10.55 | 8.27  | 4.41  | 3.74  | 22.91  | 18.50 | 5.71         | 66.1    |
| 10       | 50                        | 40      | 25      | 4.41              | 3.54  | 5.00  | 3.94  | 3.35  | 10.59 | 2.95  | 11.26 | 8.70  | 4.92  | 4.17  | 26.77  | 21.85 | 6.30         | 92.6    |
| 12       | 63                        | 50      | 32      | 4.92              | 3.94  | 5.63  | 4.41  | 3.74  | 11.18 | 3.35  | 12.44 | 9.92  | 5.51  | 4.65  | 29.13  | 23.62 | 7.09         | 129     |
| 16       | 80                        | 63      | 40      | 5.51              | 4.41  | 6.30  | 4.92  | 4.17  | 11.93 | 3.74  | 14.06 | 11.02 | 6.30  | 5.20  | 32.28  | 25.98 | 7.87         | 179.9   |
| 20       | 100                       | 80      | 50      | 6.30              | 4.92  | 7.09  | 5.51  | 4.65  | 16.34 | 4.17  | 15.94 | 12.99 | 7.09  | 5.91  | 39.37  | 32.28 | 8.86         | 270.1   |
| 25       | 125                       | 100     | 63      | 7.09              | 5.51  | 7.95  | 6.30  | 5.20  | 17.52 | 4.65  | 17.91 | 14.17 | 7.87  | 6.69  | 43.31  | 35.43 | 10.04        | 381.6   |
| 32       | 160                       | 125     | 80      | 7.87              | 6.30  | 8.86  | 7.09  | 5.91  | 19.29 | 5.20  | 20.08 | 15.75 | 8.82  | 7.48  | 48.19  | 39.37 | 11.42        | 524     |
| 40       | 200                       | 160     | 100     | 8.82              | 7.09  | 9.92  | 7.87  | 6.69  | 19.02 | 5.91  | 22.32 | 17.60 | 9.84  | 8.35  | 51.18  | 41.34 | 12.60        | 719.1   |
| 50       | 250                       | 200     | 125     | 9.84              | 7.87  | 11.22 | 8.82  | 7.48  | 19.88 | 6.69  | 25.00 | 19.09 | 11.02 | 9.29  | 55.91  | 44.88 | 13.98        | 1002.7  |
| 63       | 320                       | 250     | 160     | 11.02             | 8.82  | 12.60 | 9.84  | 8.35  | 23.23 | 7.48  | 27.95 | 21.65 | 12.40 | 10.43 | 63.58  | 51.18 | 15.75        | 1418    |
| 80       | 400                       | 320     | 200     | 12.40             | 9.84  | 14.09 | 11.02 | 9.29  | 17.64 | 8.35  | 31.57 | 23.54 | 13.98 | 11.81 | 63.19  | 49.21 | 17.72        | 1675.5  |
| 100      | 500                       | 400     | 250     | 13.98             | 11.02 | 15.83 | 12.40 | 10.43 | 20.20 | 9.29  | 35.51 | 27.09 | 15.75 | 13.19 | 71.46  | 55.71 | 19.88        | 2689.6  |
| 125      | 630                       | 500     | 320     | 15.75             | 12.40 | 17.72 | 13.98 | 11.81 | 23.62 | 10.43 | 40.16 | 29.53 | 17.72 | 14.76 | 81.50  | 63.78 | 22.44        | 3858.1  |
| 160      | 800                       | 630     | 400     | 17.72             | 13.98 | 19.88 | 15.75 | 13.19 | 25.39 | 11.81 | 45.08 | 32.48 | 19.69 | 16.73 | 90.16  | 70.47 | 25.20        | 5467.5  |
| 200      | 1000                      | 800     | 500     | 19.69             | 15.75 | 22.24 | 17.72 | 14.76 | 30.43 | 13.19 | 50.20 | 35.43 | 22.05 | 18.70 | 102.68 | 80.63 | 28.35        | 7539.8  |
| 250      | 1250                      | 1000    | 630     | 22.05             | 17.72 | 25.00 | 19.69 | 16.73 | 34.45 | 14.76 | 56.30 | 38.58 | 24.80 | 20.87 | 115.55 | 90.75 | 31.89        | 10582.2 |

- Hooks shown here are standard models; inquiries for custom versions are welcome.
- Lifting capacity determined according to crane group 1Bm as specified in DIN 15400.



## RAMSHORN HOOK

ACCORDING TO EN 13001-3-5 ANNEX B  
[PREVIOUSLY DIN 15402]



| Hook No. | Lifting capacity (UStons) |         |         | Dimensions (inch) |       |       |       |       |       |       |       |        |       |       | Weight (lbs) |
|----------|---------------------------|---------|---------|-------------------|-------|-------|-------|-------|-------|-------|-------|--------|-------|-------|--------------|
|          | V-Class                   | T-class | P-class | a1                | a2    | a3    | b1    | ød1   | e     | f1    | h     | L      | l1    | y1=y2 |              |
| 1.6      | 8.8                       | 6.93    | 4.4     | 1.77              | 1.42  | 2.32  | 1.34  | 1.42  | 3.94  | 7.20  | 1.69  | 10.43  | 8.74  | 2.36  | 11.7         |
| 2.5      | 13.75                     | 11      | 6.93    | 1.97              | 1.57  | 2.56  | 1.57  | 1.65  | 4.41  | 8.19  | 1.97  | 11.81  | 9.84  | 2.56  | 15.2         |
| 4        | 22                        | 17.6    | 11      | 2.20              | 1.77  | 2.87  | 1.89  | 1.89  | 4.88  | 9.37  | 2.36  | 15.35  | 12.99 | 3.66  | 22           |
| 5        | 27.5                      | 22      | 13.75   | 2.48              | 1.97  | 3.23  | 2.09  | 2.09  | 5.63  | 10.47 | 2.64  | 14.65  | 12.01 | 3.66  | 27.6         |
| 6        | 35.2                      | 27.5    | 17.6    | 2.80              | 2.20  | 3.62  | 2.36  | 2.36  | 6.30  | 11.85 | 2.95  | 19.88  | 16.93 | 3.66  | 38.6         |
| 8        | 44                        | 35.2    | 22      | 3.15              | 2.48  | 4.06  | 2.64  | 2.64  | 7.17  | 13.27 | 3.35  | 21.06  | 17.72 | 4.11  | 58           |
| 10       | 55                        | 44      | 27.5    | 3.54              | 2.80  | 4.57  | 2.95  | 2.95  | 7.56  | 14.84 | 3.74  | 23.03  | 19.29 | 4.63  | 77.2         |
| 12       | 69.3                      | 55      | 35.2    | 3.94              | 3.15  | 5.12  | 3.35  | 3.35  | 8.27  | 16.57 | 4.17  | 24.25  | 20.08 | 5.22  | 108          |
| 16       | 88                        | 69.3    | 44      | 4.41              | 3.54  | 5.75  | 3.74  | 3.74  | 9.33  | 18.54 | 4.65  | 28.27  | 23.62 | 5.85  | 132.3        |
| 20       | 110                       | 88      | 55      | 4.92              | 3.94  | 6.42  | 4.17  | 4.17  | 10.43 | 20.91 | 5.20  | 33.54  | 28.35 | 6.52  | 213.8        |
| 25       | 137.5                     | 110     | 69.3    | 5.51              | 4.41  | 7.17  | 4.65  | 4.65  | 12.40 | 23.54 | 5.91  | 39.37  | 33.46 | 7.28  | 297.6        |
| 32       | 176                       | 137.5   | 88      | 6.30              | 4.92  | 8.07  | 5.20  | 5.20  | 13.19 | 26.46 | 6.69  | 40.16  | 33.46 | 8.15  | 425.5        |
| 40       | 220                       | 176     | 110     | 7.09              | 5.51  | 9.06  | 5.91  | 5.91  | 14.76 | 29.69 | 7.48  | 47.83  | 40.35 | 9.17  | 617.3        |
| 50       | 275                       | 220     | 137.5   | 7.87              | 6.30  | 10.24 | 6.69  | 6.69  | 16.54 | 33.15 | 8.35  | 51.65  | 43.31 | 10.43 | 745.2        |
| 63       | 352                       | 275     | 176     | 8.82              | 7.09  | 11.50 | 7.48  | 7.48  | 18.11 | 37.17 | 9.29  | 56.54  | 47.24 | 11.69 | 1188.3       |
| 80       | 440                       | 352     | 220     | 9.84              | 7.87  | 12.80 | 8.35  | 8.35  | 20.28 | 41.81 | 10.43 | 59.65  | 49.21 | 13.03 | 1675.5       |
| 100      | 550                       | 440     | 275     | 11.02             | 8.82  | 14.33 | 9.29  | 9.29  | 22.64 | 46.69 | 11.81 | 67.91  | 56.10 | 14.57 | 2425.1       |
| 125      | 693                       | 550     | 352     | 12.40             | 9.84  | 16.06 | 10.43 | 10.43 | 25.39 | 52.36 | 13.19 | 74.21  | 61.02 | 16.32 | 3287.1       |
| 160      | 880                       | 693     | 440     | 13.98             | 11.02 | 18.03 | 11.81 | 11.81 | 28.54 | 59.25 | 14.76 | 83.46  | 68.70 | 18.35 | 4662.8       |
| 200      | 1100                      | 880     | 550     | 15.75             | 12.40 | 20.28 | 13.19 | 13.19 | 31.50 | 66.34 | 16.73 | 95.39  | 78.66 | 20.57 | 6646.9       |
| 250      | 1375                      | 1100    | 693     | 17.72             | 13.98 | 22.83 | 14.76 | 14.76 | 34.45 | 74.21 | 18.70 | 107.28 | 88.58 | 23.13 | 9409.3       |

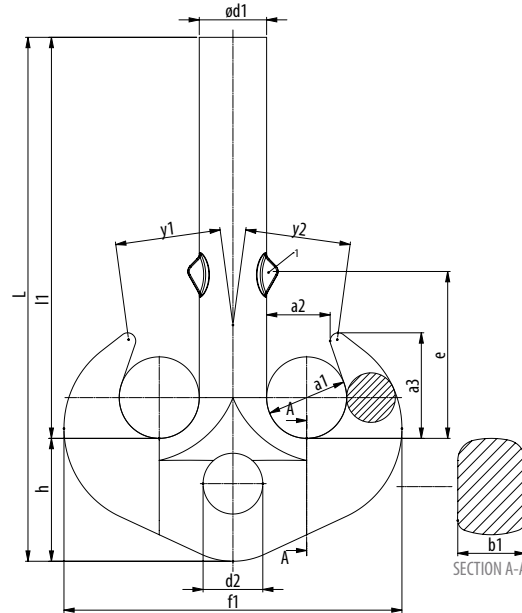
- Hooks shown here are standard models; inquiries for custom versions are welcome.
- Lifting capacity determined according to crane group 1Bm as specified in DIN 15400.



SEE OUR WARNING & SAFETY INFORMATION

## RAMSHORN HOOK FORM B

ACCORDING TO EN 13001-3-5 ANNEX B  
[PREVIOUSLY DIN 15402]



| Hook No. | Lifting capacity (UStons) |         |         | Dimensions (inch) |       |       |       |           |          |       |       |       |        |       | Weight (lbs) |         |
|----------|---------------------------|---------|---------|-------------------|-------|-------|-------|-----------|----------|-------|-------|-------|--------|-------|--------------|---------|
|          | V-Class                   | T-class | P-class | a1                | a2    | a3    | b1    | $\phi d1$ | d2 (H15) | e     | f1    | h     | L      | l1    |              | y1=y2   |
| 8        | 44                        | 35.2    | 22      | 3.15              | 2.48  | 4.06  | 2.64  | 2.64      | 2.91     | 7.17  | 13.27 | 4.72  | 21.06  | 16.34 | 4.11         | 66.1    |
| 10       | 55                        | 44      | 27.5    | 3.54              | 2.80  | 4.57  | 2.95  | 2.95      | 2.91     | 7.56  | 14.84 | 5.12  | 22.83  | 17.72 | 4.63         | 90.4    |
| 12       | 69.3                      | 55      | 35.2    | 3.94              | 3.15  | 5.12  | 3.35  | 3.35      | 3.07     | 8.27  | 16.57 | 5.91  | 25.98  | 20.08 | 5.22         | 125.7   |
| 16       | 88                        | 69.3    | 44      | 4.41              | 3.54  | 5.75  | 3.74  | 3.74      | 3.39     | 9.33  | 18.54 | 6.69  | 29.53  | 22.83 | 5.85         | 180.8   |
| 20       | 110                       | 88      | 55      | 4.92              | 3.94  | 6.42  | 4.17  | 4.17      | 3.78     | 10.43 | 20.91 | 7.48  | 33.07  | 25.59 | 6.52         | 253.5   |
| 25       | 137.5                     | 110     | 69.3    | 5.51              | 4.41  | 7.17  | 4.65  | 4.65      | 4.17     | 12.40 | 23.54 | 8.35  | 36.50  | 28.15 | 7.28         | 352.7   |
| 32       | 176                       | 137.5   | 88      | 6.30              | 4.92  | 8.07  | 5.20  | 5.20      | 4.57     | 13.19 | 26.46 | 9.29  | 40.39  | 31.10 | 8.15         | 504.9   |
| 40       | 220                       | 176     | 110     | 7.09              | 5.51  | 9.06  | 5.91  | 5.91      | 5.16     | 14.76 | 29.69 | 10.43 | 45.28  | 34.84 | 9.17         | 727.5   |
| 50       | 275                       | 220     | 137.5   | 7.87              | 6.30  | 10.24 | 6.69  | 6.69      | 5.75     | 16.54 | 33.15 | 11.81 | 49.80  | 37.99 | 10.43        | 1009.7  |
| 63       | 352                       | 275     | 176     | 8.82              | 7.09  | 11.50 | 7.48  | 7.48      | 6.61     | 18.11 | 37.17 | 13.19 | 56.10  | 42.91 | 11.69        | 1406.5  |
| 80       | 440                       | 352     | 220     | 9.84              | 7.87  | 12.80 | 8.35  | 8.35      | 7.40     | 20.28 | 41.81 | 14.76 | 63.39  | 48.62 | 13.03        | 1966.5  |
| 100      | 550                       | 440     | 275     | 11.02             | 8.82  | 14.33 | 9.29  | 9.29      | 8.19     | 22.64 | 46.69 | 16.73 | 70.87  | 54.13 | 14.57        | 2751.4  |
| 125      | 693                       | 550     | 352     | 12.40             | 9.84  | 16.06 | 10.43 | 10.43     | 9.25     | 25.39 | 52.36 | 18.70 | 79.72  | 61.02 | 16.32        | 3873.5  |
| 160      | 880                       | 693     | 440     | 13.98             | 11.02 | 18.03 | 11.81 | 11.81     | 10.24    | 28.54 | 59.25 | 20.87 | 89.57  | 68.70 | 18.35        | 5511.6  |
| 200      | 1100                      | 880     | 550     | 15.75             | 12.40 | 20.28 | 13.19 | 13.19     | 11.10    | 31.50 | 66.34 | 23.62 | 100.79 | 77.17 | 20.57        | 7848.5  |
| 250      | 1375                      | 1100    | 693     | 17.72             | 13.98 | 22.83 | 14.76 | 14.76     | 12.28    | 34.45 | 74.21 | 26.38 | 113.39 | 87.01 | 23.13        | 11095.9 |

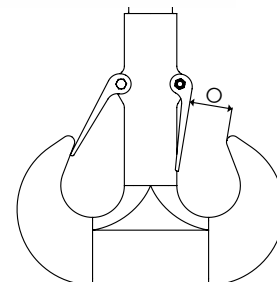
- Hooks shown here are standard models; inquiries for custom versions are welcome.
- Lifting capacity determined according to crane group 1Bm as specified in DIN 15400.



## LATCHES

| Single Hook | Ropeblock Standard Safety Latch | Ropeblock Standard Safety Latch incl. locking bracket | Ropeblock Heavy Duty Safety Latch | Dimensions (inch) Ø |
|-------------|---------------------------------|---|-----------------------------------|---------------------|
| 1,6         | 64.1.6.E                        | on request  | on request                        | 1.57                |
| 2,5         | 64.2.5.E                        | on request  | 64.2.5.E.B                        | 1.61                |
| 4           | 64.4.E                          | on request  | 64.4.E.B                          | 1.93                |
| 5           | 64.5.E                          | 64.5.E.F  | 64.5.E.B                          | 2.17                |
| 6           | 64.6.E                          | 64.6.E.F  | 64.6.E.B                          | 2.32                |
| 8           | 64.8.E                          | 64.8.E.F  | 64.8.E.B                          | 2.72                |
| 10          | 64.10.E                         | 64.10.E.F   | 64.10.E.B                         | 2.99                |
| 12          | 64.12.E                         | 64.12.E.F   | 64.12.E.B                         | 3.31                |
| 16          | 64.16.E                         | 64.16.E.F   | 64.16.E.B                         | 3.82                |
| 20          | 64.20.E                         | 64.20.E.F   | 64.20.E.B                         | 4.33                |
| 25          | 64.25.E                         | 64.25.E.F   | 64.25.E.B                         | 5.20                |
| 32          | 64.32.E                         | 64.32.E.F   | 64.32.E.B                         | 5.39                |
| 40          | 64.40.E                         | 64.40.E.F   | 64.40.E.B                         | 6.57                |
| 50          | 64.50.E                         | 64.50.E.F   | 64.50.E.B                         | 7.40                |
| 63          | 64.63.E                         | 64.63.E.F   | 64.63.E.B                         | 8.07                |
| 80          | 64.80.E                         | on request  | 64.80.E.B                         | 8.98                |
| 100         | 64.100.E                        | on request  | 64.100.E.B                        | 11.42               |
| 125         | 64.125.E                        | on request  | on request                        | 290                 |
| 160         | on request                      | on request  | on request                        | on request          |
| 200         | on request                      | on request  | on request                        | on request          |
| 250         | on request                      | on request  | on request                        | on request          |

| Rams-horn Hook (form b) | Ropeblock Standard Safety Latch | Ropeblock Standard Safety Latch incl. locking bracket | Ropeblock Heavy Duty Safety Latch | Dimensions (inch) Ø |
|-------------------------|---------------------------------|---|-----------------------------------|---------------------|
| 2,5                     | 64.1.6.E                        | on request  | on request                        | 1.18                |
| 4                       | 64.2.5.E                        | on request  | 64.2.5.E.B                        | 1.22                |
| 5                       | 64.4.E                          | 64.5.D.F  | 64.4.E.B                          | 1.50                |
| 6                       | 64.5.E                          | 64.6.D.F  | 64.5.E.B                          | 1.89                |
| 8                       | 64.6.E                          | 64.8.D.F  | 64.6.E.B                          | 1.85                |
| 10                      | 64.8.E                          | 64.10.D.F   | 64.8.E.B                          | 2.24                |
| 12                      | 64.10.E                         | 64.12.D.F   | 64.10.E.B                         | 2.36                |
| 16                      | 64.12.E                         | 64.16.D.F   | 64.12.E.B                         | 2.48                |
| 20                      | 64.16.E                         | 64.20.D.F   | 64.16.E.B                         | 2.87                |
| 25                      | 64.20.E                         | 64.25.D.F   | 64.20.E.B                         | 3.43                |
| 32                      | 64.25.E                         | 64.32.D.F   | 64.25.E.B                         | 4.25                |
| 40                      | 64.32.E                         | 64.40.D.F   | 64.32.E.B                         | 4.41                |
| 50                      | 64.40.E                         | 64.50.D.F   | 64.40.E.B                         | 5.12                |
| 63                      | 64.50.E                         | 64.63.D.F   | 64.50.E.B                         | 5.75                |
| 80                      | 64.63.E                         | 64.80.D.F   | 64.63.E.B                         | 6.54                |
| 100                     | 64.80.E                         | 64.100.D.F  | 64.80.E.B                         | 7.48                |
| 125                     | 64.100.E                        | on request  | 64.100.E.B                        | 8.46                |
| 160                     | 64.125.E                        | on request  | on request                        | 9.65                |
| 200                     | on request                      | on request  | on request                        | on request          |
| 250                     | on request                      | on request  | on request                        | on request          |



Ropeblock latches are zinc plated and are also available in stainless steel.



SEE OUR WARNING & SAFETY INFORMATION