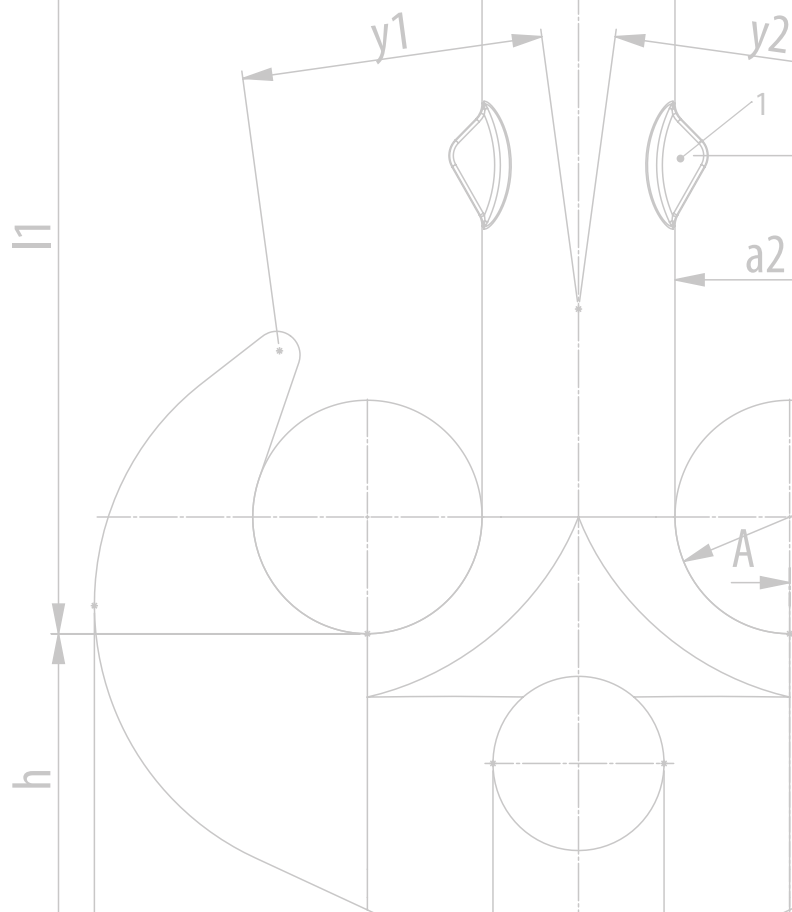




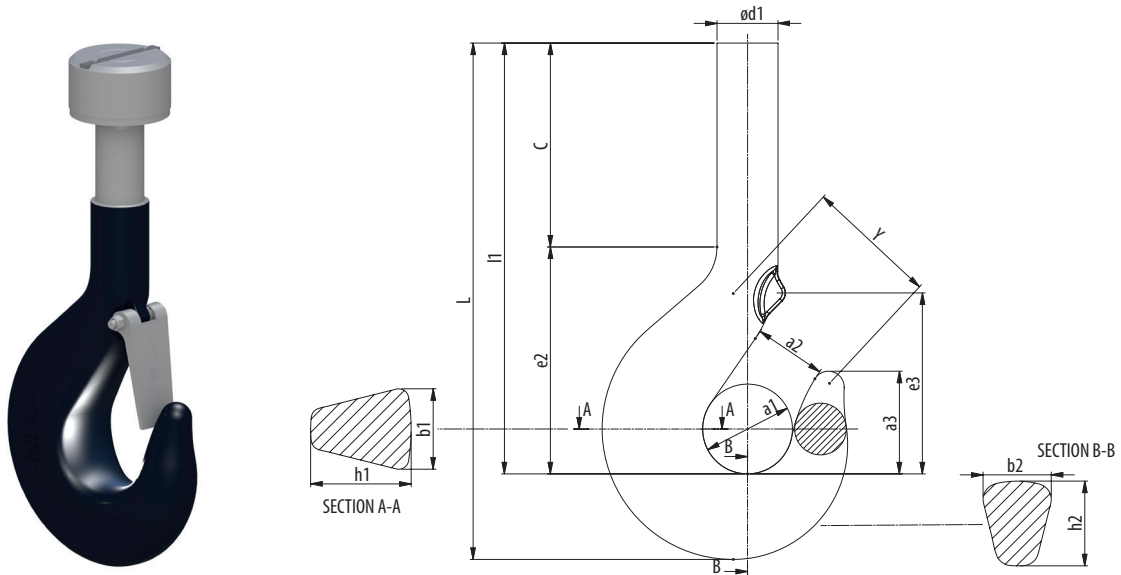
COMPONENTS

The Ropeblock portfolio includes a wide choice of proven quality components for various lifting & rigging purposes, such as split overhaul balls, triangle plates and pad eyes. These components come in all current sizes and weight categories and are mostly available from stock.



SINGLE HOOK

ACCORDING TO EN 13001-3-5 ANNEX A1 & A2
[PREVIOUSLY DIN 15401]



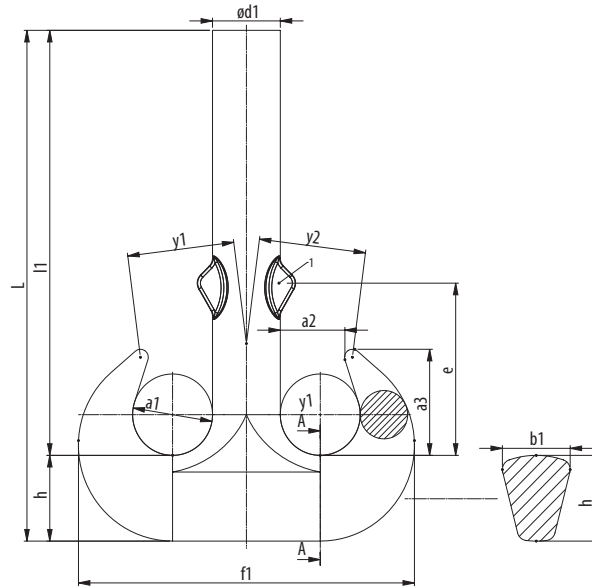
Hook No.	Lifting capacity (UStons)			Dimensions (inch)													Weight (lbs)	
	V-Class	T-class	P-class	a1	a2	a3	b1	b2	c	ød1	e2	e3	h1	h2	L	l1		Y
1.6	8	6,3	4	2.20	1.77	2.52	1.77	1.50	2.52	1.42	5.75	4.65	2.20	1.89	10.47	8.27	2.95	9.9
2.5	12,5	10	6,3	2.48	1.97	2.83	2.09	1.77	3.46	1.65	6.57	5.20	2.64	2.28	12.68	10.04	3.15	13.7
4	20	16	10	2.80	2.20	3.15	2.48	2.09	5.51	1.89	7.48	5.83	3.15	2.64	16.14	12.99	5.12	21.8
5	25	20	12,5	3.15	2.48	3.54	2.80	2.36	7.28	2.09	8.46	6.50	3.54	2.95	19.29	15.75	5.12	33.3
6	32	25	16	3.54	2.80	3.98	3.15	2.64	7.28	2.36	9.45	7.28	3.94	3.35	20.67	16.73	5.12	47
8	40	32	20	3.94	3.15	4.45	3.54	2.95	7.95	2.64	10.55	8.27	4.41	3.74	22.91	18.50	5.71	66.1
10	50	40	25	4.41	3.54	5.00	3.94	3.35	10.59	2.95	11.26	8.70	4.92	4.17	26.77	21.85	6.30	92.6
12	63	50	32	4.92	3.94	5.63	4.41	3.74	11.18	3.35	12.44	9.92	5.51	4.65	29.13	23.62	7.09	129
16	80	63	40	5.51	4.41	6.30	4.92	4.17	11.93	3.74	14.06	11.02	6.30	5.20	32.28	25.98	7.87	179.9
20	100	80	50	6.30	4.92	7.09	5.51	4.65	16.34	4.17	15.94	12.99	7.09	5.91	39.37	32.28	8.86	270.1
25	125	100	63	7.09	5.51	7.95	6.30	5.20	17.52	4.65	17.91	14.17	7.87	6.69	43.31	35.43	10.04	381.6
32	160	125	80	7.87	6.30	8.86	7.09	5.91	19.29	5.20	20.08	15.75	8.82	7.48	48.19	39.37	11.42	524
40	200	160	100	8.82	7.09	9.92	7.87	6.69	19.02	5.91	22.32	17.60	9.84	8.35	51.18	41.34	12.60	719.1
50	250	200	125	9.84	7.87	11.22	8.82	7.48	19.88	6.69	25.00	19.09	11.02	9.29	55.91	44.88	13.98	1002.7
63	320	250	160	11.02	8.82	12.60	9.84	8.35	23.23	7.48	27.95	21.65	12.40	10.43	63.58	51.18	15.75	1418
80	400	320	200	12.40	9.84	14.09	11.02	9.29	17.64	8.35	31.57	23.54	13.98	11.81	63.19	49.21	17.72	1675.5
100	500	400	250	13.98	11.02	15.83	12.40	10.43	20.20	9.29	35.51	27.09	15.75	13.19	71.46	55.71	19.88	2689.6
125	630	500	320	15.75	12.40	17.72	13.98	11.81	23.62	10.43	40.16	29.53	17.72	14.76	81.50	63.78	22.44	3858.1
160	800	630	400	17.72	13.98	19.88	15.75	13.19	25.39	11.81	45.08	32.48	19.69	16.73	90.16	70.47	25.20	5467.5
200	1000	800	500	19.69	15.75	22.24	17.72	14.76	30.43	13.19	50.20	35.43	22.05	18.70	102.68	80.63	28.35	7539.8
250	1250	1000	630	22.05	17.72	25.00	19.69	16.73	34.45	14.76	56.30	38.58	24.80	20.87	115.55	90.75	31.89	10582.2

- Hooks shown here are standard models; inquiries for custom versions are welcome.
- Lifting capacity determined according to crane group 1Bm as specified in DIN 15400.



RAMSHORN HOOK

ACCORDING TO EN 13001-3-5 ANNEX B
(PREVIOUSLY DIN 15402)



Hook No.	Lifting capacity (UStons)			Dimensions (inch)											Weight (lbs)
	V-Class	T-class	P-class	a1	a2	a3	b1	ød1	e	f1	h	L	l1	y1=y2	
1.6	8.8	6.93	4.4	1.77	1.42	2.32	1.34	1.42	3.94	7.20	1.69	10.43	8.74	2.36	11.7
2.5	13.75	11	6.93	1.97	1.57	2.56	1.57	1.65	4.41	8.19	1.97	11.81	9.84	2.56	15.2
4	22	17.6	11	2.20	1.77	2.87	1.89	1.89	4.88	9.37	2.36	15.35	12.99	3.66	22
5	27.5	22	13.75	2.48	1.97	3.23	2.09	2.09	5.63	10.47	2.64	14.65	12.01	3.66	27.6
6	35.2	27.5	17.6	2.80	2.20	3.62	2.36	2.36	6.30	11.85	2.95	19.88	16.93	3.66	38.6
8	44	35.2	22	3.15	2.48	4.06	2.64	2.64	7.17	13.27	3.35	21.06	17.72	4.11	58
10	55	44	27.5	3.54	2.80	4.57	2.95	2.95	7.56	14.84	3.74	23.03	19.29	4.63	77.2
12	69.3	55	35.2	3.94	3.15	5.12	3.35	3.35	8.27	16.57	4.17	24.25	20.08	5.22	108
16	88	69.3	44	4.41	3.54	5.75	3.74	3.74	9.33	18.54	4.65	28.27	23.62	5.85	132.3
20	110	88	55	4.92	3.94	6.42	4.17	4.17	10.43	20.91	5.20	33.54	28.35	6.52	213.8
25	137.5	110	69.3	5.51	4.41	7.17	4.65	4.65	12.40	23.54	5.91	39.37	33.46	7.28	297.6
32	176	137.5	88	6.30	4.92	8.07	5.20	5.20	13.19	26.46	6.69	40.16	33.46	8.15	425.5
40	220	176	110	7.09	5.51	9.06	5.91	5.91	14.76	29.69	7.48	47.83	40.35	9.17	617.3
50	275	220	137.5	7.87	6.30	10.24	6.69	6.69	16.54	33.15	8.35	51.65	43.31	10.43	745.2
63	352	275	176	8.82	7.09	11.50	7.48	7.48	18.11	37.17	9.29	56.54	47.24	11.69	1188.3
80	440	352	220	9.84	7.87	12.80	8.35	8.35	20.28	41.81	10.43	59.65	49.21	13.03	1675.5
100	550	440	275	11.02	8.82	14.33	9.29	9.29	22.64	46.69	11.81	67.91	56.10	14.57	2425.1
125	693	550	352	12.40	9.84	16.06	10.43	10.43	25.39	52.36	13.19	74.21	61.02	16.32	3287.1
160	880	693	440	13.98	11.02	18.03	11.81	11.81	28.54	59.25	14.76	83.46	68.70	18.35	4662.8
200	1100	880	550	15.75	12.40	20.28	13.19	13.19	31.50	66.34	16.73	95.39	78.66	20.57	6646.9
250	1375	1100	693	17.72	13.98	22.83	14.76	14.76	34.45	74.21	18.70	107.28	88.58	23.13	9409.3

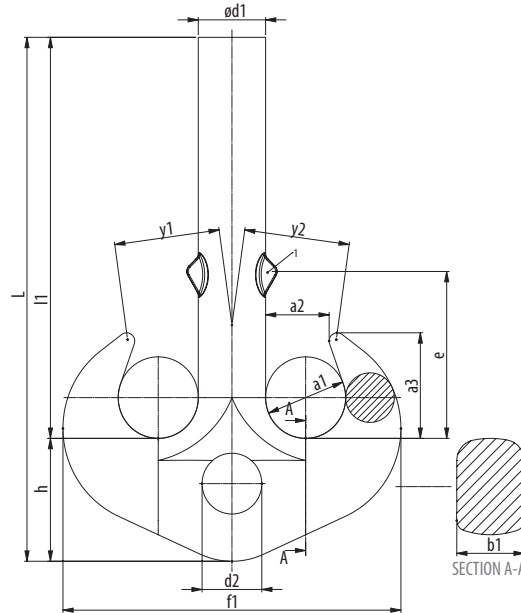
- Hooks shown here are standard models; inquiries for custom versions are welcome.
- Lifting capacity determined according to crane group 1Bm as specified in DIN 15400.



SEE OUR WARNING & SAFETY INFORMATION

RAMSHORN HOOK FORM B

ACCORDING TO EN 13001-3-5 ANNEX B
[PREVIOUSLY DIN 15402]



Hook No.	Lifting capacity (UStons)			Dimensions (inch)											Weight (lbs)	
	V-Class	T-class	P-class	a1	a2	a3	b1	$\phi d1$	d2 (H15)	e	f1	h	L	l1		y1=y2
8	44	35.2	22	3.15	2.48	4.06	2.64	2.64	2.91	7.17	13.27	4.72	21.06	16.34	4.11	66.1
10	55	44	27.5	3.54	2.80	4.57	2.95	2.95	2.91	7.56	14.84	5.12	22.83	17.72	4.63	90.4
12	69.3	55	35.2	3.94	3.15	5.12	3.35	3.35	3.07	8.27	16.57	5.91	25.98	20.08	5.22	125.7
16	88	69.3	44	4.41	3.54	5.75	3.74	3.74	3.39	9.33	18.54	6.69	29.53	22.83	5.85	180.8
20	110	88	55	4.92	3.94	6.42	4.17	4.17	3.78	10.43	20.91	7.48	33.07	25.59	6.52	253.5
25	137.5	110	69.3	5.51	4.41	7.17	4.65	4.65	4.17	12.40	23.54	8.35	36.50	28.15	7.28	352.7
32	176	137.5	88	6.30	4.92	8.07	5.20	5.20	4.57	13.19	26.46	9.29	40.39	31.10	8.15	504.9
40	220	176	110	7.09	5.51	9.06	5.91	5.91	5.16	14.76	29.69	10.43	45.28	34.84	9.17	727.5
50	275	220	137.5	7.87	6.30	10.24	6.69	6.69	5.75	16.54	33.15	11.81	49.80	37.99	10.43	1009.7
63	352	275	176	8.82	7.09	11.50	7.48	7.48	6.61	18.11	37.17	13.19	56.10	42.91	11.69	1406.5
80	440	352	220	9.84	7.87	12.80	8.35	8.35	7.40	20.28	41.81	14.76	63.39	48.62	13.03	1966.5
100	550	440	275	11.02	8.82	14.33	9.29	9.29	8.19	22.64	46.69	16.73	70.87	54.13	14.57	2751.4
125	693	550	352	12.40	9.84	16.06	10.43	10.43	9.25	25.39	52.36	18.70	79.72	61.02	16.32	3873.5
160	880	693	440	13.98	11.02	18.03	11.81	11.81	10.24	28.54	59.25	20.87	89.57	68.70	18.35	5511.6
200	1100	880	550	15.75	12.40	20.28	13.19	13.19	11.10	31.50	66.34	23.62	100.79	77.17	20.57	7848.5
250	1375	1100	693	17.72	13.98	22.83	14.76	14.76	12.28	34.45	74.21	26.38	113.39	87.01	23.13	11095.9

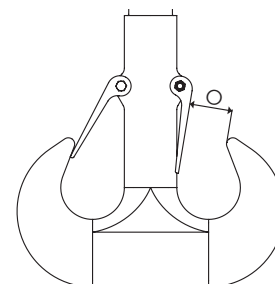
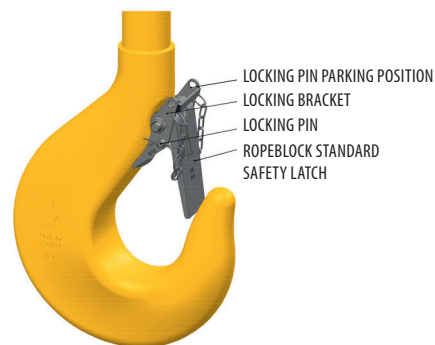
- Hooks shown here are standard models; inquiries for custom versions are welcome.
- Lifting capacity determined according to crane group 1Bm as specified in DIN 15400.



LATCHES

Single Hook	Ropeblock Standard Safety Latch	Ropeblock Standard Safety Latch incl. locking bracket	Ropeblock Heavy Duty Safety Latch	Dimensions (inch) O
1,6	64.1.6.E	on request	on request	1.57
2,5	64.2.5.E	on request	64.2.5.E.B	1.61
4	64.4.E	on request	64.4.E.B	1.93
5	64.5.E	64.5.E.F	64.5.E.B	2.17
6	64.6.E	64.6.E.F	64.6.E.B	2.32
8	64.8.E	64.8.E.F	64.8.E.B	2.72
10	64.10.E	64.10.E.F	64.10.E.B	2.99
12	64.12.E	64.12.E.F	64.12.E.B	3.31
16	64.16.E	64.16.E.F	64.16.E.B	3.82
20	64.20.E	64.20.E.F	64.20.E.B	4.33
25	64.25.E	64.25.E.F	64.25.E.B	5.20
32	64.32.E	64.32.E.F	64.32.E.B	5.39
40	64.40.E	64.40.E.F	64.40.E.B	6.57
50	64.50.E	64.50.E.F	64.50.E.B	7.40
63	64.63.E	64.63.E.F	64.63.E.B	8.07
80	64.80.E	on request	64.80.E.B	8.98
100	64.100.E	on request	64.100.E.B	11.42
125	64.125.E	on request	on request	290
160	on request	on request	on request	on request
200	on request	on request	on request	on request
250	on request	on request	on request	on request

Rams-horn Hook (form b)	Ropeblock Standard Safety Latch	Ropeblock Standard Safety Latch incl. locking bracket	Ropeblock Heavy Duty Safety Latch	Dimensions (inch) O
2,5	64.1.6.E	on request	on request	1.18
4	64.2.5.E	on request	64.2.5.E.B	1.22
5	64.4.E	64.5.D.F	64.4.E.B	1.50
6	64.5.E	64.6.D.F	64.5.E.B	1.89
8	64.6.E	64.8.D.F	64.6.E.B	1.85
10	64.8.E	64.10.D.F	64.8.E.B	2.24
12	64.10.E	64.12.D.F	64.10.E.B	2.36
16	64.12.E	64.16.D.F	64.12.E.B	2.48
20	64.16.E	64.20.D.F	64.16.E.B	2.87
25	64.20.E	64.25.D.F	64.20.E.B	3.43
32	64.25.E	64.32.D.F	64.25.E.B	4.25
40	64.32.E	64.40.D.F	64.32.E.B	4.41
50	64.40.E	64.50.D.F	64.40.E.B	5.12
63	64.50.E	64.63.D.F	64.50.E.B	5.75
80	64.63.E	64.80.D.F	64.63.E.B	6.54
100	64.80.E	64.100.D.F	64.80.E.B	7.48
125	64.100.E	on request	64.100.E.B	8.46
160	64.125.E	on request	on request	9.65
200	on request	on request	on request	on request
250	on request	on request	on request	on request



Ropeblock latches are zinc plated and are also available in stainless steel.

 SEE OUR WARNING & SAFETY INFORMATION