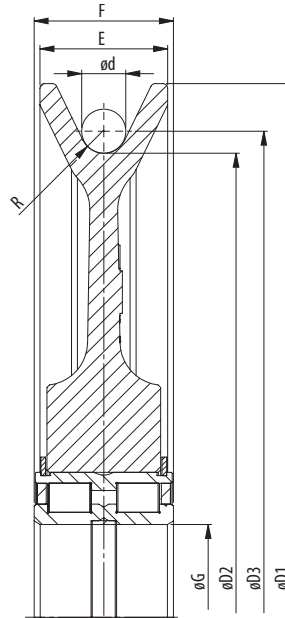


CAST SHEAVES >>

WITH CYLINDRICAL ROLLER BEARINGS



Model No.	Dimensions (inch)								Bearing	Weight (lbs)
	Sheave tread ø	Shaft ø	For wire ød	Groove radius	Outer ø	P.C.D.	Rim width	Bearing width		
	øD2	øG	d	R	øD1	øD3	E	F		
SE.225.5012.7,5	8.86	2.36	0.55	0.30	10.24	9.41	1.50	1.81	SL04 5012 PP	15
SE.227.5010.7	8.94	1.97	0.51	0.28	10.43	9.45	1.38	1.57	SL04 5010 PP	12
SE.250.5008B.6	9.84	1.57	0.43	0.24	11.42	10.28	1.26	1.50	SL04 5008 PP	13
SE.250.5008B.5,5	9.84	1.57	0.39	0.22	11.42	10.24	1.26	1.50	SL04 5008 PP	13
SE.250.5008B.7,2	9.84	1.57	0.51	0.28	11.42	10.35	1.26	1.50	SL04 5008 PP	14
SE.260.5012.8,5	10.24	2.36	0.63	0.33	11.81	10.87	1.65	1.81	SL04 5012 PP	20
SE.260.5012.6,5	10.24	2.36	0.47	0.26	11.81	10.71	1.65	1.81	SL04 5012 PP	21
SE.260.5012.7,5	10.24	2.36	0.55	0.30	11.81	10.79	1.65	1.81	SL04 5012 PP	21
SE.280.5010.7	11.02	1.97	0.51	0.28	12.60	11.54	1.42	1.57	SL04 5010 PP	18
SE.280.5010B.7	11.02	1.97	0.51	0.28	12.60	11.54	1.42	1.57	SL04 5010 PP	18
SE.280.5012.8,5	11.02	2.36	0.63	0.33	12.60	11.65	1.65	1.81	SL04 5012 PP	20
SE.280.5012.8	11.02	2.36	0.59	0.31	12.60	11.61	1.65	1.81	SL04 5012 PP	20
SE.280.5012.7	11.02	2.36	0.51	0.28	12.60	11.54	1.65	1.81	SL04 5012 PP	21
SE.280.5012.10	11.02	2.36	0.75	0.39	12.60	11.77	1.65	1.81	SL04 5012 PP	23
SE.280.4914.8,5	11.02	2.76	0.63	0.33	12.60	11.65	1.42	2.36	SL01 4914 ZZ	19
SE.280.4914.7	11.02	2.76	0.51	0.28	12.60	11.54	1.42	1.18	SL01 4914 ZZ	20
SE.295.5008B.8,5	11.61	1.57	0.63	0.33	12.99	12.24	1.26	1.50	SL04 5008 PP	19
SE.300.5008.7	11.81	1.57	0.51	0.28	13.78	12.32	1.38	1.50	SL04 5008 PP	15
SE.300.5010.7	11.81	1.97	0.51	0.28	13.78	12.32	1.50	1.57	SL04 5008 PP	15
SE.320.5011.8,8.M	12.60	2.17	0.63	0.35	15.12	13.23	1.69	1.81	SL04 5011 PP	23
SE.320.4914.8,5	12.60	2.17	0.63	0.33	15.12	13.23	1.69	1.81	SL01 4914	28
SE.320.5013.9	12.60	2.56	0.67	0.35	15.12	13.27	1.69	1.81	SL04 5013 PP	29
SE.320.5013.10	12.60	2.56	0.75	0.39	14.37	13.35	1.65	1.81	SL04 5013 PP	29

>>

- The dimensions in this table are indicative only. A drawing will always be submitted prior to production and will be the leading document when discussing dimensions.
- Sheaves shown here are standard models; inquiries for custom versions are welcome.



SEE OUR WARNING & SAFETY INFORMATION

<< CAST SHEAVES >>

WITH CYLINDRICAL ROLLER BEARINGS

Model No.	Dimensions (inch)								Bearing	Weight (lbs)
	Sheave tread ϕ	Shaft ϕ	For wire ϕ d	Groove radius	Outer ϕ	P.C.D.	Rim width	Bearing width		
	ϕ D2	ϕ G	d	R	ϕ D1	ϕ D3	E	F		
SE.320.5013.8,5	12.60	2.56	0.63	0.33	14.37	13.23	1.65	1.81	SL04 5013PP	30
SE.345.5010B.9,5	13.58	1.97	0.71	0.37	15.16	14.29	1.42	1.57	SL04 5010 PP	28
SE.345.5010B.10	13.58	1.97	0.75	0.39	15.16	14.33	1.42	1.57	SL04 5010 PP	28
SE.350.5012.8	13.78	2.36	0.55	0.31	16.34	14.33	1.77	1.81	SL04 5012 PP	28
SE.354.5013.9,5	13.94	2.56	0.71	0.37	15.75	14.65	1.65	1.81	SL04 5013 PP	36
SE.355.5013.10	13.98	2.56	0.75	0.39	16.14	14.72	1.65	1.81	SL04 5013 PP	39
SE.355.5013.9,5	13.98	2.56	0.71	0.37	16.14	14.69	1.65	1.81	SL04 5013 PP	40
SE.355.5013.9	13.98	2.56	0.67	0.35	16.14	14.65	1.65	1.81	SL04 5013 PP	40
SE.355.5013.8,5	13.98	2.56	0.63	0.33	16.14	14.61	1.65	1.81	SL04 5013 PP	40
SE.355.5016.7,5	13.98	3.15	0.55	0.30	16.14	14.53	2.17	2.36	SL04 5016 PP	37
SE.355.5016.10	13.98	3.15	0.75	0.39	16.14	14.72	2.17	2.36	SL04 5016 PP	37
SE.355.5016.12	13.98	3.15	0.87	0.47	16.14	14.84	2.17	2.36	SL04 5016 PP	37
SE.355.4918.12	13.98	3.54	0.87	0.47	16.14	14.84	1.73	1.38	SL01 4918 ZZ	33
SE.355.4918.9	13.98	3.54	0.67	0.35	16.14	14.65	1.73	1.38	SL01 4918 ZZ	35
SE.355.4918.8,5	13.98	3.54	0.63	0.33	16.14	14.61	1.73	1.38	SL01 4918 ZZ	36
SE.355.4918.9,5	13.98	3.54	0.71	0.37	16.14	14.69	1.73	1.38	SL01 4918 ZZ	39
SE.355.4918.10	13.98	3.54	0.75	0.39	16.14	14.72	1.73	1.38	SL01 4918 ZZ	40
SE.355.4926.9	13.98	5.12	0.67	0.35	16.14	14.65	2.32	1.97	SL01 4926 PP	51
SE.360.5016.10	14.17	3.15	0.75	0.39	16.54	14.92	2.17	2.36	SL04 5016 PP	39
SE.360.5016.9,5	14.17	3.15	0.71	0.37	16.54	14.88	2.17	2.36	SL04 5016 PP	48
SE.360.5016.8,5	14.17	3.15	0.63	0.33	16.54	14.80	2.17	2.36	SL04 5016 PP	48
SE.360.4918.10	14.17	3.54	0.75	0.39	16.54	14.92	1.73	1.38	SL01 4918 ZZ	41
SE.360.4918.9,5	14.17	3.54	0.71	0.37	16.54	14.88	1.73	1.38	SL01 4918 ZZ	41
SE.360.4918.8,5	14.17	3.54	0.63	0.33	16.54	14.80	1.73	1.38	SL01 4918 ZZ	42
SE.373.5018.12	14.69	3.54	0.87	0.47	17.32	15.55	2.01	2.64	SL04 5018 PP	54
SE.400.5013.10	15.75	2.56	0.75	0.39	18.11	16.50	1.69	1.81	SL04 5013 PP	55
SE.400.5013.9,5	15.75	2.56	0.71	0.37	18.11	16.46	1.69	1.81	SL04 5013 PP	55
SE.400.5013.8,5	15.75	2.56	0.63	0.33	18.11	16.38	1.69	1.81	SL04 5013 PP	56
SE.400.5014B.11,5	15.75	2.76	0.83	0.45	18.11	16.57	1.93	2.13	SL04 5014 PP	54
SE.400.5014B.10	15.75	2.76	0.75	0.39	18.11	16.50	1.93	2.13	SL04 5014 PP	55
SE.400.5014B.9,5	15.75	2.76	0.71	0.37	18.11	16.46	1.93	2.13	SL04 5014 PP	56
SE.400.5016.12.A	15.75	3.15	0.87	0.47	18.11	16.61	1.97	2.36	SL04 5016 PP	56
SE.400.5016.15	15.75	3.15	1.10	0.59	18.11	16.85	2.83	2.36	SL04 160 PP	62
SE.400.5016.12	15.75	3.15	0.87	0.47	18.11	16.61	2.17	2.36	SL04 5016 PP	62
SE.400.5016.11,5	15.75	3.15	0.83	0.45	18.11	16.57	2.17	2.36	SL04 5016 PP	62
SE.400.5016.10	15.75	3.15	0.75	0.39	18.11	16.50	2.17	2.36	SL04 5016 PP	63
SE.400.4918.10	15.75	3.54	0.75	0.39	18.11	16.50	1.73	1.38	SL01 4918 ZZ	57
SE.400.5018.9,5	15.75	3.54	0.71	0.37	18.11	16.46	2.83	2.64	SL04 160 PP	62
SE.400.5018.12	15.75	3.54	0.87	0.47	18.11	16.61	2.44	2.64	SL04 5018 PP	66
SE.400.5018.11,5	15.75	3.54	0.83	0.45	18.11	16.57	2.44	2.64	SL04 5018 PP	67
SE.400.5018.10	15.75	3.54	0.75	0.39	18.11	16.50	2.44	2.64	SL04 5018 PP	68
SE.400.4922.10	15.75	4.33	0.75	0.39	18.11	16.50	1.97	1.57	SL01 4922 PP	56

- The dimensions in this table are indicative only. A drawing will always be submitted prior to production and will be the leading document when discussing dimensions.
- Sheaves shown here are standard models; inquiries for custom versions are welcome.



SEE OUR WARNING & SAFETY INFORMATION

<< CAST SHEAVES >>

WITH CYLINDRICAL ROLLER BEARINGS

Model No.	Dimensions (inch)								Bearing	Weight (lbs)
	Sheave tread ϕ	Shaft ϕ	For wire ϕ d	Groove radius R	Outer ϕ ϕ D1	P.C.D. ϕ D3	Rim width E	Bearing width F		
	ϕ D2	ϕ G	d	R	ϕ D1	ϕ D3	E	F		
SE.400.4924.10	15.75	4.72	0.75	0.39	18.11	16.50	2.17	1.77	SL04 160 PP	56
SE.400.160.9,5	15.75	6.30	0.71	0.37	18.11	16.46	2.83	3.15	SL04 160 PP	74
SE.400.160.12	15.75	6.30	0.87	0.47	18.11	16.61	2.83	3.15	SL04 160 PP	74
SE.438.5018.12	17.24	3.54	0.87	0.47	19.69	18.11	2.28	2.64	SL04 5018 PP	61
SE.450.5018.15	17.72	3.54	1.10	0.59	20.28	18.82	2.44	2.64	SL04 5018 PP	86
SE.450.5018.13,5	17.72	3.54	0.98	0.53	20.28	18.70	2.44	2.64	SL04 5018 PP	88
SE.450.5018.12	17.72	3.54	0.87	0.47	20.28	18.58	2.44	2.64	SL04 5018 PP	89
SE.450.5018.10	17.72	3.54	0.75	0.39	20.28	18.46	2.44	2.64	SL04 5018 PP	91
SE.450.5018.10,5	17.72	3.54	0.79	0.41	20.28	18.50	2.44	2.64	SL04 5018 PP	91
SE.450.5018.13	17.72	3.54	0.94	0.51	20.28	18.66	2.44	2.64	SL04 5018 PP	91
SE.450.5024.15	17.72	4.72	1.10	0.59	20.28	18.82	2.95	3.15	SL04 5024 PP	100
SE.450.5024.13,5	17.72	4.72	0.98	0.53	20.28	18.70	2.95	3.15	SL04 5024 PP	102
SE.450.5024.12	17.72	4.72	0.87	0.47	20.28	18.58	2.95	3.15	SL04 5024 PP	103
SE.450.5024.10	17.72	4.72	0.75	0.39	20.28	18.46	2.95	3.15	SL04 5024 PP	105
SE.450.4926.12	17.72	5.12	0.87	0.47	20.28	18.58	2.36	1.97	SL01 4926 PP	83
SE.450.4926.10	17.72	5.12	0.75	0.39	20.28	18.46	2.36	1.97	SL01 4926 PP	84
SE.450.4926.13,5	17.72	5.12	0.98	0.53	20.28	18.70	2.36	1.97	SL01 4926 PP	92
SE.450.4830.10	17.72	5.91	0.75	0.39	20.28	18.46	2.17	1.57	SL01 4830	78
SE.450.160.10	17.72	6.30	0.75	0.39	20.28	18.46	2.95	3.15	SL04 160 PP	100
SE.482.5018.11	18.98	3.54	0.79	0.45	22.05	19.76	2.44	2.64	SL04 5018 PP	100
SE.482.5018.11,5	18.98	3.54	0.83	0.45	22.05	19.80	2.44	2.64	SL04 5018 PP	100
SE.482.5018.12	18.98	3.54	0.83	0.45	22.05	19.80	2.44	2.64	SL04 5018 PP	100
SE.482.5018.10,5	18.98	3.54	0.79	0.41	22.05	19.76	2.44	2.64	SL04 5018 PP	101
SE.482.5024.11	18.98	4.72	0.79	0.43	22.05	19.76	2.44	3.15	SL04 5024 PP	110
SE.482.160.11	18.98	6.30	0.79	0.43	22.05	19.76	2.44	3.15	SL04 160 PP	108
SE.500.5018B.13,5	19.69	3.54	0.98	0.53	22.44	20.67	2.40	2.64	SL04 5018 PP	103
SE.511.5020.10.M	20.12	3.94	0.75	0.39	22.99	20.87	2.24	2.64	SL04 5020 PP	63
SE.528.5018.14	20.79	3.54	1.02	0.55	23.43	21.81	2.40	2.64	SL04 5018 PP	100
SE.528.5018.15	20.79	3.54	1.10	0.59	23.43	21.89	2.40	2.64	SL04 5018 PP	110
SE.528.5018.13,5	20.79	3.54	0.98	0.53	23.43	21.77	2.40	2.64	SL04 5018 PP	111
SE.528.5018.12	20.79	3.54	0.87	0.47	23.43	21.65	2.40	2.64	SL04 5018 PP	112
SE.528.5018.13	20.79	3.54	0.94	0.51	23.43	21.73	2.40	2.64	SL04 5018 PP	112
SE.528.5018.14.B	20.79	3.54	1.02	0.55	23.43	21.81	2.40	2.64	SL04 5018 PP	112
SE.528.5024.15	20.79	4.72	1.10	0.59	23.43	21.89	2.91	3.15	SL04 5024 PP	125
SE.528.5024.13,5	20.79	4.72	0.98	0.53	23.43	21.77	2.91	3.15	SL04 5024 PP	127
SE.528.5024.14	20.79	4.72	1.02	0.55	23.43	21.81	2.91	3.15	SL04 5024 PP	140
SE.528.160.15	20.79	6.30	1.10	0.59	23.43	21.89	2.83	3.15	SL04 160 PP	116
SE.528.160.14	20.79	6.30	1.02	0.55	23.43	21.81	2.91	3.15	SL04 160 PP	117
SE.528.160.13,5	20.79	6.30	0.98	0.53	23.43	21.77	2.91	3.15	SL04 160 PP	118
SE.528.160.13	20.79	6.30	0.94	0.51	23.43	21.73	2.91	3.15	SL04 160 PP	135
SE.528.4836.13	20.79	7.09	0.94	0.51	23.43	21.73	2.32	1.77	SL01 4836 PP	105
SE.528.200.13	20.79	7.87	0.94	0.51	23.43	21.73	2.91	3.15	SL04 200 PP	125

- The dimensions in this table are indicative only. A drawing will always be submitted prior to production and will be the leading document when discussing dimensions.
- Sheaves shown here are standard models; inquiries for custom versions are welcome.



SEE OUR WARNING & SAFETY INFORMATION

<< CAST SHEAVES >>

WITH CYLINDRICAL ROLLER BEARINGS

Model No.	Dimensions (inch)								Bearing	Weight (lbs)
	Sheave tread ϕ	Shaft ϕ	For wire ϕd	Groove radius	Outer ϕ	P.C.D.	Rim width	Bearing width		
	$\phi D2$	ϕG	d	R	$\phi D1$	$\phi D3$	E	F		
SE.528.200.13,5	20.79	7.87	0.98	0.53	23.43	21.77	2.91	3.15	SL04 200 PP	125
SE.528.200.15	20.79	7.87	1.10	0.59	23.43	21.89	2.91	3.15	SL04 200 PP	143
SE.536.130.14.M	21.10	5.12	1.02	0.55	24.02	22.13	2.56	3.15	SL04 130 PP	99
SE.575.5022.16	22.64	4.33	1.18	0.63	25.59	23.82	2.91	3.15	SL04 5022 PP	159
SE.575.5022.14	22.64	4.33	1.02	0.55	25.59	23.66	2.91	3.15	SL04 5022 PP	162
SE.575.5022.15	22.64	4.33	1.10	0.59	25.59	23.74	2.91	3.15	SL04 5022 PP	162
SE.575.5024.17	22.64	4.72	1.26	0.67	25.59	23.90	2.91	3.15	SL04 5024 PP	156
SE.575.5024.15	22.64	4.72	1.10	0.59	25.59	23.74	2.91	3.15	SL04 5024 PP	158
SE.575.5024.16	22.64	4.72	1.18	0.63	25.59	23.82	2.91	3.15	SL04 5024 PP	158
SE.575.5024.14	22.64	4.72	1.02	0.55	25.59	23.66	2.91	3.15	SL04 5024 PP	160
SE.575.160.15	22.64	6.30	1.10	0.59	25.59	23.74	2.91	3.15	SL04 160 PP	157
SE.575.160.14	22.64	6.30	1.02	0.55	25.59	23.66	2.91	3.15	SL04 160 PP	158
SE.575.200.15	22.64	7.87	1.10	0.59	25.59	23.74	2.91	3.15	SL04 200 PP	167
SE.575.200.14	22.64	7.87	1.02	0.55	25.59	23.66	2.91	3.15	SL04 200 PP	169
SE.630.5022B.16	24.80	4.33	1.18	0.63	27.95	25.98	2.91	3.15	SL04 5022 PP	184
SE.630.5024.17	24.80	4.72	1.26	0.67	27.95	26.06	2.91	3.15	SL04 5024 PP	183
SE.630.5024.16	24.80	4.72	1.18	0.63	27.95	25.98	2.91	3.15	SL04 5024 PP	184
SE.630.5024.15	24.80	4.72	1.10	0.59	27.95	25.91	2.91	3.15	SL04 5024 PP	186
SE.630.160.17	24.80	6.30	1.26	0.67	27.95	26.06	2.91	3.15	SL04 160 PP	179
SE.630.160.16	24.80	6.30	1.18	0.63	27.95	25.98	2.91	3.15	SL04 160 PP	181
SE.630.160.15	24.80	6.30	1.10	0.59	27.95	25.91	2.91	3.15	SL04 160 PP	182
SE.630.200.17	24.80	7.87	1.26	0.67	27.95	26.06	2.91	3.15	SL04 200 PP	190
SE.630.200.16	24.80	7.87	1.18	0.63	27.95	25.98	2.91	3.15	SL04 200 PP	191
SE.630.200.15	24.80	7.87	1.10	0.59	27.95	25.91	2.91	3.15	SL04 200 PP	193
SE.646.5030.18	25.43	5.91	1.34	0.71	29.13	26.77	3.15	3.94	SL04 5030 PP	200
SE.670.5024.17	26.38	4.72	1.26	0.67	29.92	27.64	2.91	3.15	SL04 5024 PP	197
SE.670.5024.15	26.38	4.72	1.10	0.59	29.92	27.48	2.91	3.15	SL04 5024 PP	201
SE.670.5024.13,5	26.38	4.72	0.98	0.53	29.92	27.36	2.91	3.15	SL04 5024 PP	204
SE.670.160.17	26.38	6.30	1.26	0.67	29.92	27.64	2.91	3.15	SL04 160 PP	199
SE.670.160.15	26.38	6.30	1.10	0.59	29.92	27.48	2.91	3.15	SL04 160 PP	203
SE.670.160.13,5	26.38	6.30	0.98	0.53	29.92	27.36	2.91	3.15	SL04 160 PP	206
SE.670.200.13,5	26.38	7.87	0.98	0.53	29.92	27.36	2.91	3.15	SL04 200 PP	206
SE.670.200.17	26.38	7.87	1.26	0.67	29.92	27.64	2.91	3.15	SL04 200 PP	210
SE.670.200.15	26.38	7.87	1.10	0.59	29.92	27.48	2.91	3.15	SL04 200 PP	213
SE.685.5028.16	26.97	5.51	1.18	0.63	31.22	28.15	3.54	3.74	SL04 5028 PP	279
SE.685.5028.18	26.97	5.51	1.34	0.71	31.22	28.31	3.54	3.74	SL04 5028 PP	279
SE.688.5024.17	27.09	4.72	1.26	0.67	30.71	28.35	2.91	3.15	SL04 5024 PP	231
SE.688.5036.17	27.09	7.09	1.26	0.67	30.71	28.35	2.91	5.35	SL04 5036 PP	275
SE.710.5022.18	27.95	4.33	1.34	0.71	31.50	29.29	2.83	3.15	SL04 5022 PP	217
SE.710.5022.17	27.95	4.33	1.26	0.67	31.50	29.21	2.83	3.15	SL04 5022 PP	220
SE.710.5024.18	27.95	4.72	1.34	0.71	31.50	29.29	2.83	3.15	SL04 5024 PP	208
SE.710.5024.20	27.95	4.72	1.50	0.79	31.50	29.45	2.83	3.15	SL04 5024 PP	208

- The dimensions in this table are indicative only. A drawing will always be submitted prior to production and will be the leading document when discussing dimensions.
- Sheaves shown here are standard models; inquiries for custom versions are welcome.



SEE OUR WARNING & SAFETY INFORMATION

<< CAST SHEAVES >>

WITH CYLINDRICAL ROLLER BEARINGS

Model No.	Dimensions (inch)								Bearing	Weight (lbs)
	Sheave tread ϕ	Shaft ϕ	For wire ϕ d	Groove radius R	Outer ϕ ϕ D1	P.C.D. ϕ D3	Rim width E	Bearing width F		
	ϕ D2	ϕ G	d	R	ϕ D1	ϕ D3	E	F		
SE.710.5026.18	27.95	5.12	1.34	0.71	31.50	29.29	3.07	3.74	SL04 5026 PP	216
SE.710.5028.18	27.95	5.51	1.34	0.71	31.89	29.29	3.35	3.74	SL04 5028 PP	235
SE.710.5028.17	27.95	5.51	1.26	0.67	31.89	29.21	3.35	3.74	SL04 5028 PP	237
SE.710.5030.18	27.95	5.91	1.34	0.71	31.89	29.29	3.54	3.94	SL04 5030 PP	238
SE.710.5030.17	27.95	5.91	1.26	0.67	31.89	29.21	3.54	3.94	SL04 5030 PP	240
SE.720.5030.18	28.35	5.91	1.34	0.71	32.68	29.69	3.54	3.94	SL04 5030 PP	248
SE.750.226.13	29.53	10.24	0.94	0.51	32.68	30.47	2.83	3.70	SL04 260 PP	358
SE.760.5026.20,5	29.92	5.12	1.54	0.81	33.86	31.46	2.95	3.74	SL04 5026 PP	304
SE.760.5030.20	29.92	5.91	1.50	0.79	33.86	31.42	3.35	3.94	SL04 5030 PP	295
SE.760.220.22	29.92	8.66	1.61	0.87	34.65	31.54	3.54	3.74	SL04 220 PP	314
SE.760.220.21	29.92	8.66	1.57	0.83	34.65	31.50	3.54	3.74	SL04 220 PP	317
SE.800.5022.16,5	31.50	4.33	1.22	0.63	35.04	32.72	2.76	3.15	SL04 5022 PP	300
SE.800.5024.16	31.50	4.72	1.18	0.63	35.04	32.68	2.76	3.15	SL04 5024 PP	280
SE.800.5024.20	31.50	4.72	1.50	0.79	35.04	32.99	2.76	3.15	SL04 5024 PP	280
SE.800.5026.17	31.50	5.12	1.26	0.67	35.04	32.76	2.95	3.74	SL04 5026 PP	286
SE.800.5026.18	31.50	5.12	1.34	0.71	35.04	32.83	2.95	3.74	SL04 5026 PP	294
SE.800.5026.20	31.50	5.12	1.50	0.79	35.04	32.99	2.95	3.74	SL04 5026 PP	294
SE.800.5028.22,5	31.50	5.51	1.65	0.89	35.04	33.15	3.35	3.74	SL04 5028 PP	328
SE.800.5028.21	31.50	5.51	1.57	0.83	35.04	33.07	3.35	3.74	SL04 5028 PP	331
SE.800.5028.20	31.50	5.51	1.50	0.79	35.04	32.99	3.35	3.74	SL04 5028 PP	333
SE.800.5028.19	31.50	5.51	1.42	0.75	35.04	32.91	3.35	3.74	SL04 5028 PP	335
SE.800.5030.23,5	31.50	5.91	1.73	0.93	35.04	33.23	3.54	3.94	SL04 5030 PP	329
SE.800.5030.21	31.50	5.91	1.57	0.83	35.04	33.07	3.54	3.94	SL04 5030 PP	335
SE.800.5030.20	31.50	5.91	1.50	0.79	35.04	32.99	3.54	3.94	SL04 5030 PP	337
SE.800.5030.22,5	31.50	5.91	1.65	0.89	35.04	33.15	3.54	3.94	SL04 5030 PP	352
SE.816.5028.18	32.13	5.51	1.34	0.71	36.06	33.46	3.15	3.74	SL04 5028 PP	321
SE.822.5026.15	32.36	5.12	1.10	0.59	35.67	33.46	2.95	3.74	SL04 5026 PP	277
SE.830.232.15	32.68	6.30	1.10	0.59	35.83	33.78	2.87	4.17	NJ-232-E	488
SE.850.232.15	33.46	6.30	1.10	0.59	37.01	34.57	3.15	4.17	NJ-232-E	438
SE.864.324.15	34.02	4.72	1.10	0.59	38.39	35.12	3.94	2.17	2x NJ-324-E	341
SE.864.324.19	34.02	4.72	1.42	0.75	38.39	35.43	3.94	2.17	2x NJ-324-E	341
SE.874.5036.23,5	34.41	7.09	1.73	0.93	39.53	36.14	4.21	5.35	SL04 5036 PP	563
SE.876.260.26,5	34.49	10.24	1.97	1.04	40.00	36.46	4.06	3.70	SL04 260 PP	527
SE.900.5026.19	35.43	5.12	1.42	0.75	39.76	36.85	3.43	3.74	SL04 5026 PP	385
SE.900.5030.22,5	35.43	5.91	1.65	0.89	39.76	37.09	3.43	3.94	SL04 5030 PP	389
SE.900.5030.23,5	35.43	5.91	1.73	0.93	39.76	37.17	3.43	3.94	SL04 5030 PP	389
SE.900.5030.25,5	35.43	5.91	1.89	1.00	39.76	37.32	3.43	3.94	SL04 5030 PP	389
SE.950.260.26,5	37.40	10.24	1.97	1.04	43.07	39.37	4.33	3.70	SL04 260 PP	560
SE.960.5034.21,5,H	37.80	6.69	1.57	0.85	42.52	39.37	4.33	4.80	SL04 5034 PP	565
SE.960.5034.23,5	37.80	6.69	1.73	0.93	42.52	39.53	4.33	4.80	SL04 5034 PP	565
SE.960.5036.21,5	37.80	7.09	1.57	0.85	42.52	39.37	4.33	5.35	SL04 5036 PP	572
SE.960.5036.21,5,H	37.80	7.09	1.57	0.85	42.52	39.37	4.33	5.35	SL04 5036 PP	579

- The dimensions in this table are indicative only. A drawing will always be submitted prior to production and will be the leading document when discussing dimensions.
- Sheaves shown here are standard models; inquiries for custom versions are welcome.



SEE OUR WARNING & SAFETY INFORMATION

<< CAST SHEAVES

WITH CYLINDRICAL ROLLER BEARINGS

Model No.	Dimensions (inch)								Bearing	Weight (lbs)
	Sheave tread ϕ	Shaft ϕ	For wire ϕd	Groove radius	Outer ϕ	P.C.D.	Rim width	Bearing width		
	$\phi D2$	ϕG	d	R	$\phi D1$	$\phi D3$	E	F		
SE.960.5038.21,5	37.80	7.48	1.57	0.85	42.52	39.37	4.33	5.35	SL04 5038 PP	572
SE.960.5040.21,5,H	37.80	7.87	1.57	0.85	42.52	39.37	4.33	5.91	SL04 5040 PP	587
SE.1004.5030.27	39.53	5.91	2.01	1.07	44.06	41.54	3.74	3.94	SL04 5030 PP	436
SE.1010.5022.18,5	39.76	4.33	1.38	0.73	43.90	41.14	3.15	2.56	SL04 5022 PP	438
SE.1040.5034.30	40.94	6.69	2.20	1.18	46.46	43.15	4.49	4.80	SL04 5034PP	613
SE.1040.5034.23,5	40.94	6.69	1.73	0.93	46.46	42.68	4.33	3.90	SL04 5034 PP	634
SE.1040.5036.26,5	40.94	7.09	1.97	1.04	46.46	42.91	4.49	4.33	SL04 5036 PP	711
SE.1040.5038.30	40.94	7.48	2.20	1.18	46.46	43.15	4.49	5.35	SL04 5038PP	627
SE.1060.5044.37	41.73	8.66	2.76	1.46	47.24	44.49	5.51	5.87	SL04 5044 PP	1052
SE.1120.5034.29,5	44.09	6.69	2.17	1.16	50.39	46.26	4.92	3.90	SL04 5034 PP	876
SE.1120.5038.27	44.09	7.48	2.01	1.06	50.39	46.10	4.92	4.33	SL04 5038 PP	893
SE.1130.5044.27	44.49	8.66	2.01	1.06	51.18	46.50	5.75	5.12	SL04 5044 PP	1071
SE.1200.5040.27,5	47.24	7.87	2.05	1.08	53.94	49.29	5.51	4.72	SL04 5040PP	1140
SE.1200.5044.32	47.24	8.66	2.36	1.26	53.94	49.61	5.75	6.30	SL04 5044 PP	1124
SE.1250.5044.29	49.21	8.66	2.13	1.14	55.71	51.34	5.31	5.12	SL04 5044 PP	1459
SE.1280.5044.34	50.39	8.66	2.52	1.34	57.87	52.91	5.83	6.30	SL04 5044 PP	1373
SE.1280.5044.30	50.39	8.66	2.20	1.18	57.87	52.60	5.83	5.12	SL04 5044 PP	1384
SE.1280.5044.32	50.39	8.66	2.36	1.26	57.87	52.76	5.83	5.12	SL04 5044 PP	1384
SE.1445.5052.39,5	56.89	10.24	2.95	1.56	65.39	59.84	6.69	6.06	SL04 5052 PP	2246
SE.1540.5056.38	57.09	11.02	2.83	1.50	68.70	59.92	6.69	6.06	SL04 5056 PP	2486
SE.1820.5052.39,5	71.65	10.24	2.95	1.56	80.55	74.61	6.69	6.06	SL04 5052 PP	2933
SE.2660.5056.38	104.72	11.02	2.83	1.50	112.80	107.56	6.30	7.48	SL04 5056 PP	5101

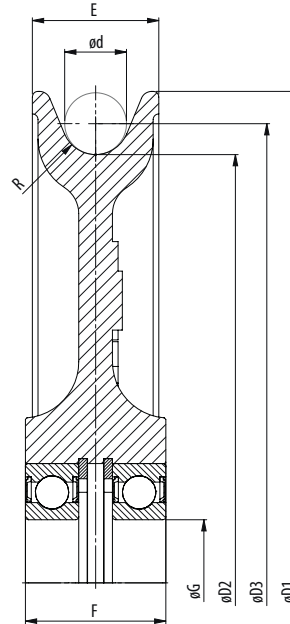
- The dimensions in this table are indicative only. A drawing will always be submitted prior to production and will be the leading document when discussing dimensions.
- Sheaves shown here are standard models; inquiries for custom versions are welcome.



SEE OUR WARNING & SAFETY INFORMATION

CAST SHEAVES, RIGGING

WITH BALL BEARINGS



Model No.	Dimensions (inch)								Bearing	Weight (lbs)
	Sheave tread ø	Shaft ø	For wire ød	Groove radius	Outer ø	P.C.D.	Rim width	Bearing width		
	øD2	øG	d	R	øD1	øD3	E	F		
SEF.80.6002.4,5	3.15	0.59	0.31	0.18	3.94	3.46	0.71	0.79	2x6002-RS	2
SEF.105.60-22.5,5	4.13	0.87	0.39	0.22	4.92	4.53	0.91	1.08	2x6022-RS	3
SEF.120.6206.6,5	4.72	1.18	0.47	0.26	5.91	5.20	1.42	1.57	2x6206-RS	7
SEF.165.6206.7,5	6.50	1.18	0.55	0.30	7.87	7.05	1.42	1.57	2x6206-RS	10
SEF.210.6207.9,5	8.27	1.38	0.71	0.37	9.84	8.98	1.57	1.77	2x6207-RS	18
SEF.255.6208.11	10.04	1.57	0.79	0.43	11.81	10.83	1.77	1.97	2x6208-RS	26
SEF.305.6209.12	12.01	1.77	0.87	0.47	13.78	12.87	1.77	1.97	2x6209-RS	37
SEF.345.6210.13	13.58	1.97	0.94	0.51	15.75	14.53	2.17	2.36	2x6210-RS	53

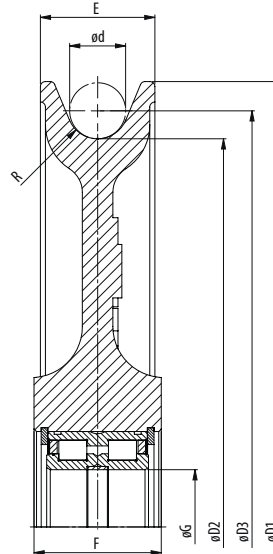
- Different shaft sizes possible.
- Groove may be adjusted to other wire rope diameters.



SEE OUR WARNING & SAFETY INFORMATION

CAST SHEAVES, RIGGING

WITH CYLINDRICAL ROLLER BEARINGS



Model No.	Dimensions (inch)								Bearing	Weight (lbs)
	Sheave tread ø	Shaft ø	For wire ød	Groove radius	Outer ø	P.C.D.	Rim width	Bearing width		
	øD2	øG	d	R	øD1	øD3	E	F		
SEF.120.5005.6,5	4.72	0.98	0.47	0.26	5.91	5.20	1.42	1.57/1.18	SL04 5005 PP	15
SEF.120.5006.6,5	4.72	1.18	0.47	0.26	5.91	5.20	1.42	1.57/1.33	SL04 5006 PP	7
SEF.165.5006.7,5	6.50	1.18	0.55	0.30	7.87	7.05	1.42	1.57/1.33	SL04 5006 PP	10
SEF.195.5012.12	7.68	2.36	0.87	0.47	9.84	8.54	1.97	2.36	SL04 5012 PP	29
SEF.210.5007.9,5	8.27	1.38	0.71	0.37	9.84	8.98	1.57	1.77/1.41	SL04 5007 PP	18
SEF.255.5008.9,5	8.27	1.57	0.71	0.39	9.84	8.98	1.34	1.50	SL04 5008 PP	13
SEF.210.5008.6	8.27	1.57	0.43	0.24	9.84	8.70	1.34	1.50	SL04 5008 PP	14
SEF.210.5008.9,5	8.27	1.57	0.71	0.37	9.84	8.98	1.57	1.77/1.41	SL04 5008 PP	18
SEF.250.5013.13	9.84	2.56	0.94	0.51	11.81	10.79	2.17	2.36	SL04 5013 PP	29
SEF.255.5008.11	10.04	1.57	0.79	0.43	11.81	10.83	1.77	1.96/1.49	SL04 5008 PP	26
SEF.255.5010.8,5	10.04	1.97	0.63	0.33	11.81	10.67	1.42	1.57	SL04 5010 PP	19
SEF.305.5009.12	12.01	1.77	0.87	0.47	13.78	12.87	1.77	1.96/1.57	SL04 5009 PP	37
SEF.305.5012.8,5	12.01	2.36	0.63	0.33	13.78	12.64	1.77	1.81	SL04 5012 PP	30
SEF.305.5015.14	12.01	2.95	1.02	0.55	13.78	13.03	2.76	2.76	SL04 5015 PP	51
SEF.345.5010.13	13.58	1.97	0.94	0.51	15.75	14.53	2.17	2.36/1.57	SL04 5010 PP	53
SEF.345.5018.15	13.58	3.54	1.10	0.59	15.75	14.69	2.95	2.13	SL04 5018 PP	66
SEF.345.5014.9,5	13.58	4.72	0.71	0.37	15.75	14.29	1.97	2.13	SL04 5024 PP	48
SEF.390.5011.15	15.35	2.17	1.10	0.59	17.72	16.46	2.36	2.76/1.81	SL04 5011 PP	106
SEF.390.5016.11	15.35	3.15	0.79	0.43	17.72	16.14	2.36	2.36	SL04 5016 PP	68
SEF.390.5020.17	15.35	3.94	1.26	0.67	17.72	16.61	2.95	3.35	SL04 5020 PP	84
SEF.430.5012.16	16.93	2.36	1.18	0.63	19.69	18.11	2.76	3.14/1.81	SL04 5012 PP	97
SEF.430.5018.12	16.93	3.54	0.87	0.47	19.69	17.80	2.76	2.64	SL04 5018 PP	98
SEF.430.5024.19,5	16.93	4.72	1.42	0.77	19.69	18.35	2.95	4.13	SL04 5024 PP	169
SEF.480.5014.18	18.90	2.76	1.34	0.71	21.65	20.24	2.76	3.14/2.12	SL04 5014 PP	121
SEF.480.5024.21,5	18.90	4.72	1.57	0.85	21.65	20.47	3.15	4.13	SL04 5024 PP	209
SEF.520.5016.19	20.47	3.15	1.42	0.75	23.62	21.89	3.35	4.13/2.36	SL04 5016 PP	176
SEF.560.5020.20,5	22.05	3.94	1.54	0.81	26.18	23.58	3.94	4.33	SL04 5020 PP	242
SEF.630.5024.21,5	24.80	4.72	1.57	0.85	27.95	26.38	3.35	4.33/3.14	SL04 5024 PP	275
SEF.710.5030.23,5	27.95	5.91	1.73	0.93	31.89	29.69	3.86	3.94	SL04 5030 PP	289
SEF.710.5030.22,5	27.95	5.91	1.65	0.89	31.89	29.61	3.86	3.94	SL04 5030 PP	418
SEF.800.5032.23,5	31.50	6.30	1.73	0.93	36.22	33.23	3.94	4.29	SL04 5032 PP	473
SEF.920.5032.25,5	36.22	6.30	1.89	1.00	40.55	38.11	5.12	5.91	SL04 5032 PP	836
SEF.1020.5036.27,5	40.16	7.09	2.05	1.08	45.67	42.20	5.51	6.30	SL04 5036 PP	1188

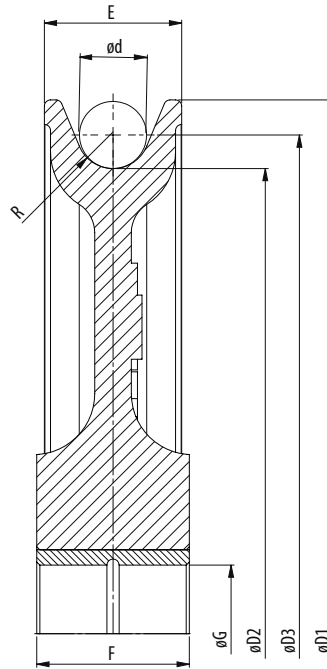
- Different shaft sizes possible.
- Groove may be adjusted to other wire rope diameters.



SEE OUR WARNING & SAFETY INFORMATION

CAST SHEAVES, RIGGING >>

WITH BRONZE BUSHING



Model No.	Dimensions (inch)								Bearing	Weight (lbs)
	Sheave tread ø	Shaft ø	For wire ød	Groove radius	Outer ø	P.C.D.	Rim width	Bearing width		
	øD2	øG	d	R	øD1	øD3	E	F		
SEF.80.15.20.4,5	3.15	0.59	0.31	0.18	3.94	3.46	0.71	0.79	Bronze	1
SEF.105.22.27.5,5	4.13	0.87	0.39	0.22	4.92	4.53	0.91	1.06	Bronze	3
SEF.120.30.40.6,5	4.72	1.18	0.47	0.26	5.91	5.20	1.42	1.57	Bronze	7
SEF.165.30.40.7,5	6.50	1.18	0.55	0.30	7.87	7.05	1.42	1.57	Bronze	10
SEF.195.60.60.12	7.68	2.36	0.87	0.47	9.84	8.54	1.97	2.36	Bronze	26
SEF.210.35.45.9,5	8.27	1.38	0.71	0.37	9.84	8.98	1.57	1.77	Bronze	18
SEF.240.80.62.15	9.45	3.15	1.10	0.59	11.81	10.55	2.28	2.44	Bronze	26
SEF.250.50.60.8,5	9.84	1.97	0.63	0.33	11.81	10.47	1.77	2.36	Bronze	31
SEF.250.70.60.13	9.84	2.76	0.94	0.51	11.81	10.79	2.17	2.36	Bronze	33
SEF.255.40.50.11	10.04	1.57	0.79	0.43	11.81	10.83	1.77	1.97	Bronze	26
SEF.300.80.62.17	11.81	3.15	1.26	0.67	14.37	13.07	2.28	2.44	Bronze	33
SEF.300.80.62.15	11.81	3.15	1.10	0.59	14.37	12.91	2.28	2.44	Bronze	35
SEF.305.45.50.12	12.01	1.77	0.87	0.47	13.78	12.87	1.77	1.97	Bronze	37
SEF.305.50.50.12	12.01	1.97	0.87	0.47	13.78	12.87	1.77	1.97	Bronze	31
SEF.305.70.75.14	12.01	2.76	1.02	0.55	13.78	13.03	2.76	2.95	Bronze	44
SEF.345.50.65.13	13.58	1.97	0.94	0.51	15.75	14.53	2.17	2.56	Bronze	52
SEF.345.50.60.13	13.58	1.97	0.94	0.51	15.75	14.53	2.17	2.36	Bronze	53
SEF.345.55.65.13	13.58	2.17	0.94	0.51	15.75	14.53	2.17	2.56	Bronze	52
SEF.345.60.60.13	13.58	2.36	0.94	0.51	15.75	14.53	2.17	2.36	Bronze	50
SEF.345.60.70.16	13.58	2.36	1.18	0.63	15.75	14.76	2.17	2.76	Bronze	50
SEF.345.60.70.15	13.58	2.36	1.10	0.59	15.75	14.69	2.17	2.76	Bronze	51
SEF.345.70.70.16	13.58	2.76	1.18	0.63	15.75	14.76	2.17	2.76	Bronze	49



- Different shaft sizes possible.
- Groove may be adjusted to other wire rope diameters.



SEE OUR WARNING & SAFETY INFORMATION

<< CAST SHEAVES, RIGGING

WITH BRONZE BUSHING

Model No.	Dimensions (inch)								Bearing	Weight (lbs)
	Sheave tread ø	Shaft ø	For wire ød	Groove radius	Outer ø	P.C.D.	Rim width	Bearing width		
	øD2	øG	d	R	øD1	øD3	E	F		
SEF.345.70.70.15	13.58	2.76	1.10	0.59	15.75	14.69	2.17	2.76	Bronze	50
SEF.345.80.80.19	13.58	3.15	1.42	0.75	15.75	15.00	2.76	3.15	Bronze	67
SEF.345.80.80.17	13.58	3.15	1.26	0.67	15.75	14.84	2.76	3.15	Bronze	68
SEF.345.80.80.15	13.58	3.15	1.10	0.59	15.75	14.69	2.95	3.15	Bronze	70
SEF.390.55.70.15	15.35	2.17	1.10	0.59	17.72	16.46	2.36	2.76	Bronze	79
SEF.390.60.70.16	15.35	2.36	1.10	0.63	17.72	16.46	2.36	2.76	Bronze	70
SEF.390.70.70.16	15.35	2.76	1.18	0.63	17.72	16.54	2.36	2.76	Bronze	69
SEF.390.70.70.15	15.35	2.76	1.10	0.59	17.72	16.46	2.36	2.76	Bronze	70
SEF.390.80.80.20	15.35	3.15	1.50	0.79	17.72	16.85	2.76	3.15	Bronze	88
SEF.390.80.80.19	15.35	3.15	1.42	0.75	17.72	16.77	2.76	3.15	Bronze	88
SEF.390.80.80.17	15.35	3.15	1.26	0.67	17.72	16.61	2.76	3.15	Bronze	90
SEF.390.80.85.19,5	15.35	3.15	1.46	0.77	17.72	16.81	2.95	3.35	Bronze	92
SEF.390.80.85.17	15.35	3.15	1.26	0.67	17.72	16.61	2.95	3.35	Bronze	106
SEF.390.90.85.19,5	15.35	3.54	1.46	0.77	17.72	16.81	2.95	3.35	Bronze	89
SEF.430.60.80.16	16.93	2.36	1.18	0.63	19.69	18.11	2.76	3.15	Bronze	97
SEF.430.80.80.20	16.93	3.15	1.50	0.79	19.49	18.43	2.76	3.15	Bronze	95
SEF.430.80.80.17	16.93	3.15	1.26	0.67	19.49	18.19	2.76	3.15	Bronze	97
SEF.430.100.80.20	16.93	3.94	1.50	0.79	19.49	18.43	2.76	3.15	Bronze	92
SEF.430.100.80.17	16.93	3.94	1.26	0.67	19.49	18.19	2.76	3.15	Bronze	95
SEF.430.100.100.19,5	16.93	3.94	1.46	0.77	19.69	18.39	3.54	3.94	Bronze	176
SEF.480.70.80.18	18.90	2.76	1.34	0.71	21.65	20.24	2.76	3.15	Bronze	115
SEF.480.120.120.21,5	18.90	4.72	1.57	0.85	21.65	20.47	3.94	4.72	Bronze	176
SEF.520.80.105.19,5	20.47	3.15	1.46	0.77	23.62	21.93	3.35	4.13	Bronze	176
SEF.520.120.90.27,5	20.47	4.72	2.05	1.08	23.43	22.52	3.15	3.54	Bronze	140
SEF.520.120.80.17	20.47	4.72	1.26	0.67	23.43	21.73	2.76	3.15	Bronze	141
SEF.520.120.90.23,5	20.47	4.72	1.73	0.93	23.43	22.20	3.15	3.54	Bronze	145
SEF.520.120.90.20	20.47	4.72	1.50	0.79	23.43	21.97	3.15	3.54	Bronze	149
SEF.560.100.110.20,5	22.05	3.94	1.54	0.81	26.18	23.58	3.94	4.33	Bronze	242
SEF.630.120.110.21,5	24.80	4.72	1.57	0.85	27.95	26.38	3.35	4.33	Bronze	252
SEF.710.150.130.23,5	27.95	5.91	1.73	0.93	31.89	29.69	3.86	5.12	Bronze	374
SEF.800.150.150.22	31.50	5.91	1.73	0.87	36.22	33.23	5.12	5.91	Bronze	594
SEF.920.160.150.22	36.22	6.30	1.61	0.87	40.55	37.83	5.12	5.91	Bronze	836
SEF.1020.180.160.24,5	40.16	7.09	1.81	0.96	45.67	41.97	5.51	6.30	Bronze	1188

- Different shaft sizes possible.
- Groove may be adjusted to other wire rope diameters.



SEE OUR WARNING & SAFETY INFORMATION