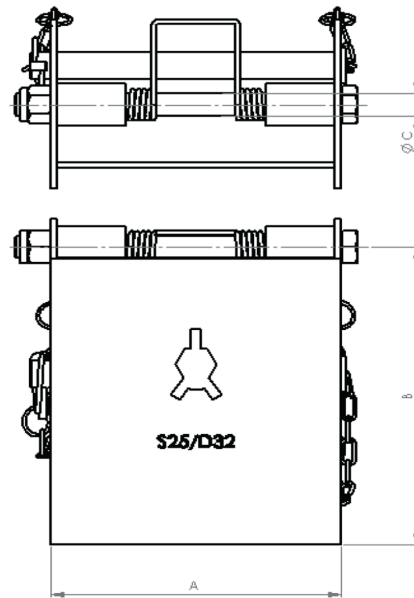
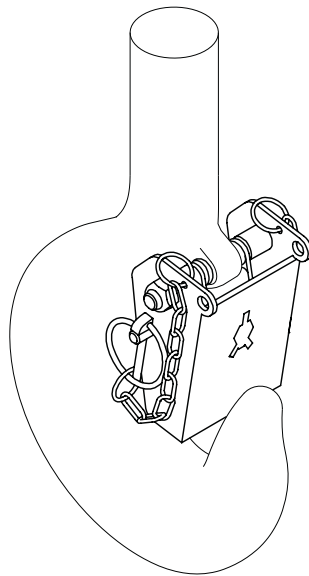


HD SAFETY LATCHES WITH LOCKING PIN

ACCORDING TO EN 13001-3-5 ANNEX A1 & A2
(PREVIOUSLY DIN 15401)



Ropeblock code	AWRR code	Hook Type		Dimensions (inch)			Weight (lbs)
		DIN 15401	DIN 15402	A	B	C	
64.2.5.E.B	PL 2-4	2,5	4	2 5/8	3 5/16	1/4	0.9
64.4.E.B	PL 4-5	4	5	3	3 5/8	3/8	1.1
64.5.E.B	PL 5-6	5	6	3 1/4	4 3/16	3/8	1.3
64.6.E.B	PL 6-8	6	8	3 5/8	4 7/16	3/8	1.5
64.8.E.B	PL 8-10	8	10	4	4 13/16	1/2	1.8
64.10.E.B	PL 10-12	10	12	4 1/2	5 1/16	1/2	2.0
64.12.E.B	PL 12-16	12	16	5 1/16	5 9/16	5/8	4.2
64.16.E.B	PL 16-20	16	20	5 1/2	6 15/16	5/8	5.1
64.20.E.B	PL 20-25	20	25	6 1/4	7 3/4	5/8	6.2
64.25.E.B	PL 25-32	25	32	7	8 7/16	5/8	7.5
64.32.E.B	PL 32-40	32	40	7 13/16	9 1/16	13/16	9.0
64.40.E.B	PL 40-50	40	50	8 11/16	10 5/16	13/16	13.4
64.50.E.B	PL 50-63	50	63	9 3/16	11	15/16	15.7
64.63.E.B	PL 63-80	63	80	10 5/8	12 3/8	15/16	19.2
64.80.E.B	PL 80-100	80	100	10 1/2	14 15/16	15/16	30.0
64.100.E.B	PL 100-125	100	125	11 5/8	16 3/4	1 3/16	39.5

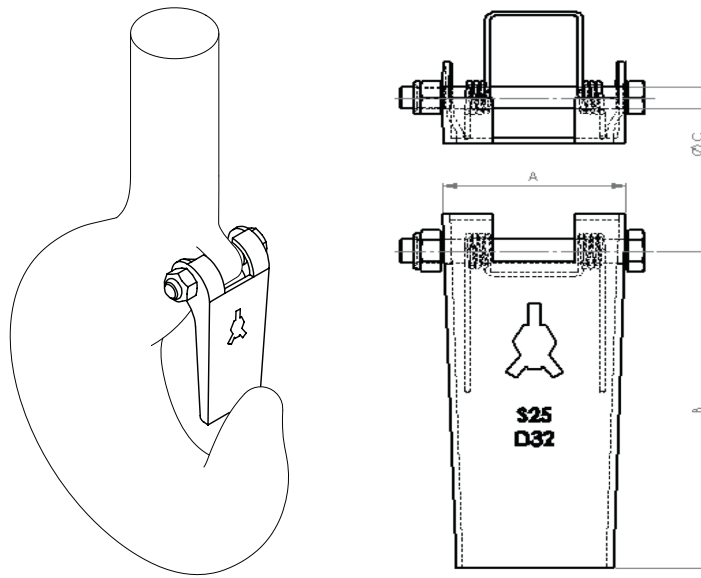
Certain dimensional variation is a common result in the production process of hooks. In order to achieve a functional fit of this lockable latch design to the hook, the locking mechanism may occasionally require minor fit-up work on site.



SEE OUR WARNING & SAFETY INFORMATION

STANDARD SAFETY LATCHES

SUITABLE FOR HOOKS ACCORDING
DIN 15401 AND DIN 15402



Ropeblock code	AWRR code	Hook Type		Dimensions (inch)			Weight (lbs)
		DIN 15401	DIN 15402	A	B	C	
64.2,5.E	STL 2,5-4	2,5	4	1 1/16	3 1/8	1/4	0.7
64.4.E	STL 4-5	4	5	1 7/8	3 3/16	3/8	0.4
64.5.E	STL 5-6	5	6	1 7/8	4	3/8	0.4
64.6.E	STL 6-8	6	8	2 3/16	4 7/16	3/8	0.7
64.8.E	STL 8-10	8	10	2 9/16	5	1/2	0.7
64.10.E	STL 10-12	10	12	2 3/4	5 5/16	1/2	0.7
64.12.E	STL 12-16	12	16	3 1/8	6 1/8	5/8	1.3
64.16.E	STL 16-20	16	20	3 5/8	6 3/4	5/8	2.0
64.20.E	STL 20-25	20	25	3 13/16	8 1/8	5/8	2.4
64.25.E	STL 25-32	25	32	4 1/8	8 9/16	5/8	2.6
64.32.E	STL 32-40	32	40	4 3/4	9 3/4	13/16	4.4
64.40.E	STL 40-50	40	50	5 5/16	10 13/16	13/16	5.3
64.50.E	STL 50-63	50	63	5 5/16	12 1/16	15/16	6.4
64.63.E	STL 63-80	63	80	4 15/16	13 11/16	15/16	6.6
64.80.E	STL 80-100	80	100	4 15/16	15 1/16	15/16	7.1
64.100.E	STL 100-125	100	125	5 11/16	16 7/8	1 3/16	10.1

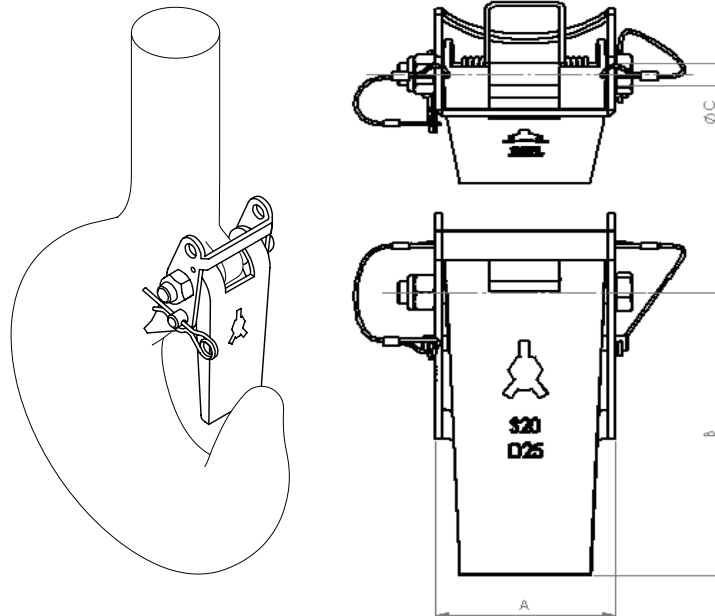
Certain dimensional variation is a common result in the production process of hooks. In order to achieve a functional fit of this lockable latch design to the hook, the locking mechanism may occasionally require minor fit-up work on site.



SEE OUR WARNING & SAFETY INFORMATION

STANDARD SINGLE HOOK SAFETY LATCHES WITH LOCKING PIN

SUITABLE FOR HOOKS ACCORDING
DIN 15401



Ropeblock code	AWRR code	Hook Type	Dimensions (inch)			Weight (lbs)
		DIN 15401	A	B	C	
64.2,5.E	STL 2,5-4	2,5	1 7/8	3 1/8	1/4	0.4
64.4.E	STL 4-5	4	2 3/16	3 9/16	3/8	0.9
64.5.E	STL 5-6	5	2 3/16	4	3/8	0.9
64.6.E	STL 6-8	6	2 1/2	4 7/16	3/8	0.9
64.8.E	STL 8-10	8	2 15/16	5	1/2	1.1
64.10.E	STL 10-12	10	3 3/16	5 5/16	1/2	1,5
64.12.E	STL 12-16	12	3 9/16	6 1/8	5/8	2.6
64.16.E	STL 16-20	16	4	6 3/4	5/8	3.5
64.20.E	STL 20-25	20	4 3/16	8 1/8	5/8	4.0
64.25.E	STL 25-32	25	4 5/8	8 9/16	5/8	4.6
64.32.E	STL 32-40	32	5 1/4	9 3/4	13/16	7.1
64.40.E	STL 40-50	40	5 7/8	10 13/16	13/16	8.6
64.50.E	STL 50-63	50	5 7/8	12 1/16	15/16	10.8
64.63.E	STL 63-80	63	5 1/2	13 11/16	15/16	11.0
64.80.E	STL 80-100	80	-	-	-	N.A.
64.100.E	STL 100-125	100	-	-	-	N.A.

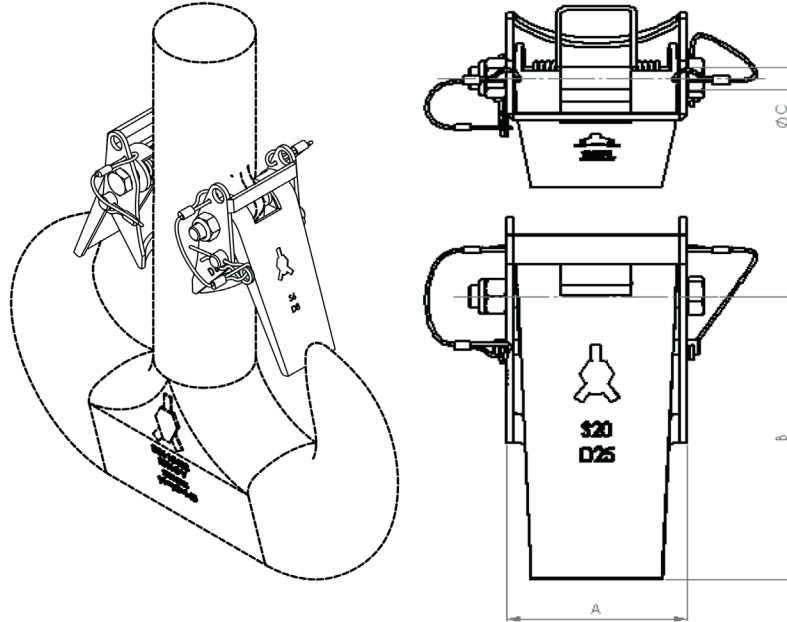
Certain dimensional variation is a common result in the production process of hooks. In order to achieve a functional fit of this lockable latch design to the hook, the locking mechanism may occasionally require minor fit-up work on site.



SEE OUR WARNING & SAFETY INFORMATION

STANDARD DOUBLE HOOK SAFETY LATCHES WITH LOCKING PIN

SUITABLE FOR HOOKS ACCORDING
DIN 15402



Ropeblock code	AWRR code	Hook Type	Dimensions (inch)			Weight (lbs)
		DIN 15402*	A	B	C	
64.2,5.E	STL 2,5-4	2,5	-	3 3/16	-	N.A.
64.4.E	STL 4-5	4	-	3 9/16	-	N.A.
64.5.E	STL 5-6	5	-	4	-	N.A.
64.6.E	STL 6-8	6	2 9/16	4 7/16	9/16	2.2
64.8.E	STL 8-10	8	2 15/16	5	9/16	2.2
64.10.E	STL 10-12	10	3 3/16	5 5/16	9/16	3.1
64.12.E	STL 12-16	12	3 9/16	6 3/16	10/16	5.3
64.16.E	STL 16-20	16	4	6 13/16	10/16	7.1
64.20.E	STL 20-25	20	4 4/16	8 3/16	10/16	7.9
64.25.E	STL 25-32	25	4 11/16	8 9/16	10/16	9.7
64.32.E	STL 32-40	32	5 5/16	9 13/16	13/16	13.2
64.40.E	STL 40-50	40	5 14/16	10 13/16	13/16	18.1
64.50.E	STL 50-63	50	5 14/16	12 1/16	15/16	22.9
64.63.E	STL 63-80	63	5 9/16	13 11/16	15/16	22.9
64.80.E	STL 80-100	80	5 9/16	15 1/16	15/16	24.7
64.100.E	STL 100-125	100	6 5/16	16 14/16	1 3/16	35.3

* Only suitable for Ramshorn hook DIN 15402

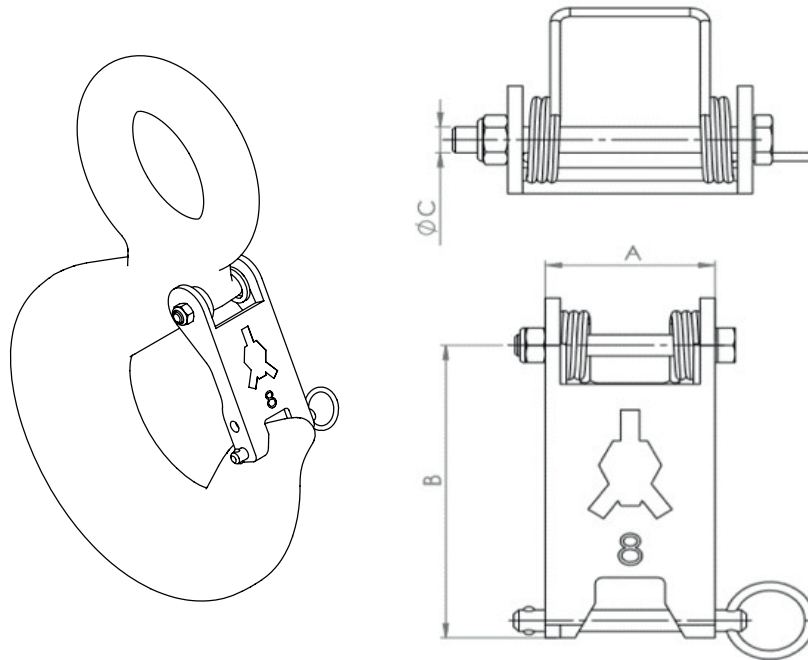
Certain dimensional variation is a common result in the production process of hooks. In order to achieve a functional fit of this lockable latch design to the hook, the locking mechanism may occasionally require minor fit-up work on site.



SEE OUR WARNING & SAFETY INFORMATION

OHB-B SAFETY LATCHES WITH LOCKING PIN

SUITABLE FOR
FORGED ALLOY EYE HOOK



Ropeblock code	AWRR code	Dimensions (inch)			Weight (lbs)
		A	B	C	
64.LEH.5,4.A	SPL 5,4	1 1/8	2 1/8	3/16	0.2
64.LEH.8.A	SPL 8	1 5/16	2 1/16	1/4	0.2
64.LEH.11,5.A	SPL 11,5	1 7/16	3 1/8	3/16	0.2
64.LEH.16.A	SPL 16	1 13/16	3 1/2	3/16	0.3
64.LEH.22.A	SPL 22	1 15/16	4 1/2	1/4	0.4

Certain dimensional variation is a common result in the production process of hooks. In order to achieve a functional fit of this lockable latch design to the hook, the locking mechanism may occasionally require minor fit-up work on site.



SEE OUR WARNING & SAFETY INFORMATION