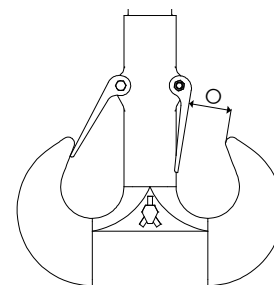


Latches

Single Hook	Standard hook latch	Standard hook latch with locking pin	Heavy duty hook latch with locking pin	Dimensions (inch)
				O
1,6	64.1,6.E	on request	on request	1.57
2,5	64.2,5.E	on request	64.2,5.E.B	1.61
4	64.4.E	on request	64.4.E.B	1.93
5	64.5.E	64.5.E.F	64.5.E.B	2.17
6	64.6.E	64.6.E.F	64.6.E.B	2.24
8	64.8.E	64.8.E.F	64.8.E.B	2.72
10	64.10.E	64.10.E.F	64.10.E.B	2.99
12	64.12.E	64.12.E.F	64.12.E.B	3.31
16	64.16.E	64.16.E.F	64.16.E.B	3.82
20	64.20.E	64.20.E.F	64.20.E.B	4.33
25	64.25.E	64.25.E.F	64.25.E.B	5.2
32	64.32.E	64.32.E.F	64.32.E.B	5.39
40	64.40.E	64.40.E.F	64.40.E.B	6.57
50	64.50.E	64.50.E.F	64.50.E.B	7.4
63	64.63.E	64.63.E.F	64.63.E.B	8.07
80	64.80.E	on request	64.80.E.B	8.98
100	64.100.E	on request	64.100.E.B	10.03
125	64.125.E	on request	on request	11.41
160	64.160.E	on request	on request	13.34
200	64.200.E	on request	on request	14.81
250	64.250.E	on request	on request	16.53

Double Hook (incl. form b)	Standard hook latch	Standard hook latch with locking pin	Heavy duty hook latch with locking pin	Dimensions (inch)
				O
2,5	64.1,6.E	on request	on request	1.18
4	64.2,5.E	on request	64.2,5.E.B	1.22
5	64.4.E	64.5.D.F	64.4.E.B	1.5
6	64.5.E	64.6.D.F	64.5.E.B	1.89
8	64.6.E	64.8.D.F	64.6.E.B	1.85
10	64.8.E	64.10.D.F	64.8.E.B	2.24
12	64.10.E	64.12.D.F	64.10.E.B	2.36
16	64.12.E	64.16.D.F	64.12.E.B	2.48
20	64.16.E	64.20.D.F	64.16.E.B	2.87
25	64.20.E	64.25.D.F	64.20.E.B	3.43
32	64.25.E	64.32.D.F	64.25.E.B	4.25
40	64.32.E	64.40.D.F	64.32.E.B	4.41
50	64.40.E	64.50.D.F	64.40.E.B	5.12
63	64.50.E	64.63.D.F	64.50.E.B	5.75
80	64.63.E	64.80.D.F	64.63.E.B	6.54
100	64.80.E	64.100.D.F	64.80.E.B	7.48
125	64.100.E	on request	64.100.E.B	8.46
160	64.125.E	on request	on request	9.65
200	64.160.E	on request	on request	11.38
250	64.200.E	on request	on request	12.51



Ropeblock latches are zinc plated and are also available in stainless steel.



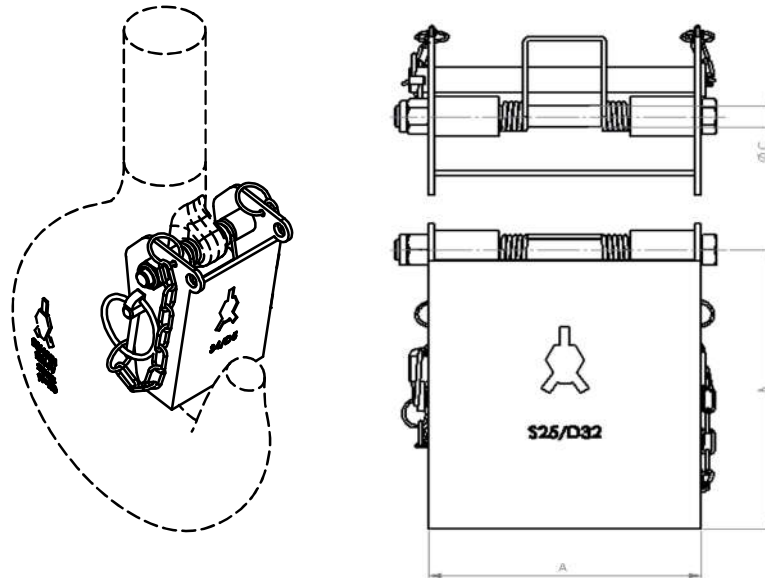
SEE OUR WARNINGS AND APPLICATION INSTRUCTIONS

8125 Saran Dr. • Playa del Rey, CA 90293
 Phone: 310.448.5444 • Fax: 310.448.5446
 sales@awrrinc.com
 www.AssociatedWireRope.com



HD Safety latches with locking pin

Suitable for hooks according DIN 15401 and DIN 15402

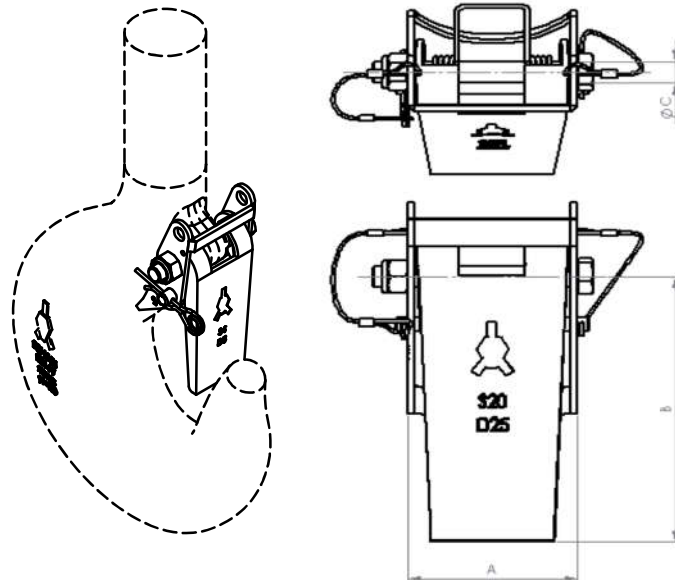


Ropeblock code	AWRR code	Hook Type		Dimensions (inch)			Weight (lbs)
		DIN 15401	DIN 15402	A	B	C	
64.2.5.E.B	PL 2-4	2,5	4	2 ⁵ / ₈	3 ³ / ₁₆	¼	0.9
64.4.E.B	PL 4-5	4	5	3	3 ⁵ / ₈	¾	1.1
64.5.E.B	PL 5-6	5	6	3 ¼	4 ³ / ₁₆	¾	1.3
64.6.E.B	PL 6-8	6	8	3 ⁵ / ₈	4 ⁷ / ₁₆	¾	1.5
64.8.E.B	PL 8-10	8	10	4	4 ¹³ / ₁₆	½	1.8
64.10.E.B	PL 10-12	10	12	4 ½	5 ¹ / ₁₆	½	2.0
64.12.E.B	PL 12-16	12	16	5 ¹ / ₁₆	5 ⁹ / ₁₆	5/8	4.2
64.16.E.B	PL 16-20	16	20	5 ½	6 ¹⁵ / ₁₆	5/8	5.1
64.20.E.B	PL 20-25	20	25	6 ¼	7 ¾	5/8	6.2
64.25.E.B	PL 25-32	25	32	7	8 ⁷ / ₁₆	5/8	7.5
64.32.E.B	PL 32-40	32	40	7 ¹³ / ₁₆	9 ½	13/16	9.0
64.40.E.B	PL 40-50	40	50	8 ¹ / ₁₆	10 ⁵ / ₁₆	13/16	13.4
64.50.E.B	PL 50-63	50	63	9 ³ / ₁₆	11	15/16	15.7
64.63.E.B	PL 63-80	63	80	10 ⁵ / ₈	12 ⁵ / ₈	15/16	19.2
64.80.E.B	PL 80-100	80	100	10 ½	14 ¹⁵ / ₁₆	15/16	30.0
64.100.E.B	PL 100-125	100	125	11 ⁵ / ₈	16 ¾	1 ³ / ₁₆	39.5

Certain dimensional variation is a common result in the production process of hooks. In order to achieve a functional fit of this lockable latch design to the hook, the locking mechanism may occasionally require minor fit-up work on site.

Standard single hook safety latches with locking pin

Suitable for hooks according DIN 15401



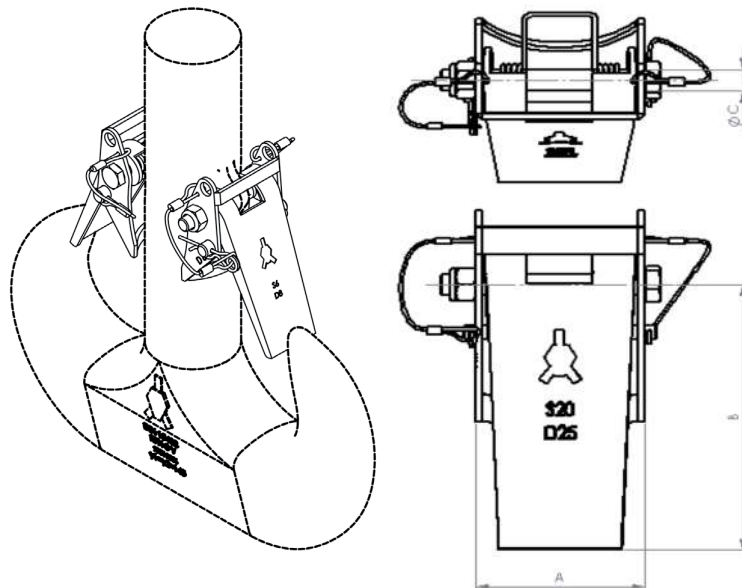
Ropeblock code	AWRR code	Hook Type*	Dimensions (inch)			Weight (lbs)
		DIN 15401	A	B	C	
64.2.5.E.F	SPL S2,5	2,5	1 7/8	3 1/8	1/4	0.4
64.4.E.F	SPL S4	4	2 3/16	3 9/16	3/8	0.9
64.5.E.F	SPL S5	5	2 3/16	4	3/8	0.9
64.6.E.F	SPL S6	6	2 1/2	4 7/16	3/8	0.9
64.8.E.F	SPL S8	8	2 15/16	5	1/2	1.1
64.10.E.F	SPL S10	10	3 3/16	5 5/16	1/2	1.5
64.12.E.F	SPL S12	12	3 3/16	6 1/8	5/8	2.6
64.16.E.F	SPL S16	16	4	6 3/4	5/8	3.5
64.20.E.F	SPL S20	20	4 3/16	8 1/8	5/8	4.0
64.25.E.F	SPL S25	25	4 5/8	8 9/16	5/8	4.6
64.32.E.F	SPL S32	32	5 1/4	9 3/4	13/16	7.1
64.40.E.F	SPL S40	40	5 7/8	10 13/16	13/16	8.6
64.50.E.F	SPL S50	50	5 7/8	12 1/16	15/16	10.8
64.63.E.F	SPL S63	63	5 1/2	13 11/16	15/16	11.0
64.80.E.F	SPL S80	N.A.	-	-	-	N.A.
64.100.E.F	SPL S100	N.A.	-	-	-	N.A.

* Only suitable for Single hook DIN 15401

Certain dimensional variation is a common result in the production process of hooks. In order to achieve a functional fit of this lockable latch design to the hook, the locking mechanism may occasionally require minor fit-up work on site.

Standard double hook safety latches with locking pin

Suitable for hooks according DIN 15402



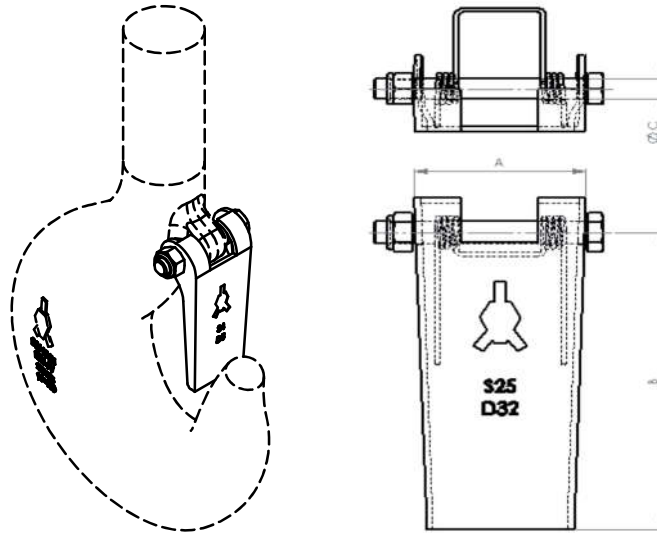
Ropeblock code	AWRR code	Hook Type*	Dimensions (inch)			Weight (lbs)
		DIN 15402	A	B	C	
64.4.D.F	SPL D4	N.A.	-	-	-	N.A.
64.5.D.F	SPL D5	N.A.	-	-	-	N.A.
64.6.D.F	SPL D6	N.A.	-	-	-	N.A.
64.8.D.F	SPL D8	8	2 ½	4 7/16	5/16	2.2
64.10.D.F	SPL D10	10	2 15/16	5	½	2.2
64.12.D.F	SPL D12	12	3 ⅞	5 5/16	½	3.1
64.16.D.F	SPL D16	16	3 3/16	6 ⅞	5/8	5.3
64.20.D.F	SPL D20	20	4	6 ¾	5/8	7.1
64.25.D.F	SPL D25	25	4 ¼	8 ⅞	5/8	7.9
64.32.D.F	SPL D32	32	4 11/16	8 9/16	5/8	9.7
64.40.D.F	SPL D40	40	5 5/16	9 ¾	13/16	13.2
64.50.D.F	SPL D50	50	5 7/8	10 13/16	13/16	18.1
64.63.D.F	SPL D63	63	5 7/8	12 1/16	15/16	22.9
64.80.D.F	SPL D80	80	5 ½	13 11/16	15/16	22.9
64.100.D.F	SPL D100	100	5 ½	15 1/16	15/16	24.7
64.125.D.F	SPL D125	125	6 5/16	16 7/8	1 3/16	35.3

* Only suitable for Ramshorn hook DIN 15402

Certain dimensional variation is a common result in the production process of hooks. In order to achieve a functional fit of this lockable latch design to the hook, the locking mechanism may occasionally require minor fit-up work on site.

Standard safety latches

Suitable for hooks according DIN 15401 and DIN 15402



Ropeblock code	AWRR code	Hook Type		Dimensions (inch)			Weight (lbs)
		DIN 15401	DIN 15402	A	B	C	
64.2.5.E	STL 2,5-4	2,5	4	1 1/16	3 1/8	1/4	0.7
64.4.E	STL 4-5	4	5	1 7/8	3 3/16	3/8	0.4
64.5.E	STL 5-6	5	6	1 7/8	4	3/8	0.4
64.6.E	STL 6-8	6	8	2 3/16	4 7/16	3/8	0.7
64.8.E	STL 8-10	8	10	2 5/16	5	1/2	0.7
64.10.E	STL 10-12	10	12	2 3/4	5 5/16	1/2	0.7
64.12.E	STL 12-16	12	16	3 1/8	6 1/8	5/8	1.3
64.16.E	STL 16-20	16	20	3 5/8	6 3/4	5/8	2.0
64.20.E	STL 20-25	20	25	3 13/16	8 1/8	5/8	2.4
64.25.E	STL 25-32	25	32	4 1/8	8 9/16	5/8	2.6
64.32.E	STL 32-40	32	40	4 3/4	9 3/4	13/16	4.4
64.40.E	STL 40-50	40	50	5 5/16	10 13/16	13/16	5.3
64.50.E	STL 50-63	50	63	5 5/16	12 1/16	15/16	6.4
64.63.E	STL 63-80	63	80	4 15/16	13 11/16	15/16	6.6
64.80.E	STL 80-100	80	100	4 15/16	15 1/16	15/16	7.1
64.100.E	STL 100-125	100	125	5 11/16	16 7/8	1 3/16	10.1