



WIRING

Associated
WIRE ROPE & RIGGING

8125 Saran Dr. • Playa del Rey, CA 90293
Phone: 310.448.5444 • Fax: 310.448.5446
sales@awrrinc.com
www.AssociatedWireRope.com



Rigging

Snatch Blocks

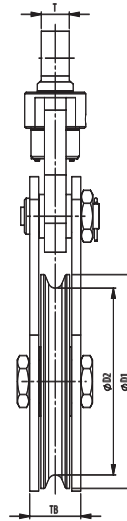
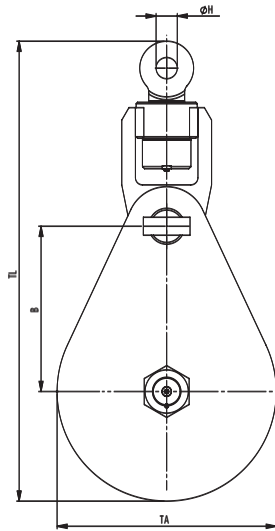
Ropeblock Snatch Blocks are an excellent choice in most rigging and lifting plans. Durability and easy of use are some of the key benefits in addition to:

- Design Factor of Safety of 4:1
- Meets performance requirements of ASME B30
- Lubricated bronze bushings
- Eye or oblong eye connection
- Ductile iron sheaves, featuring graphite lubricated groove
- Operational temperature range: -40 up to +80 °C / -40 up to +176 °F
- C3M finish in signal yellow

Recommended finish

Segment / application	ISO 12944 classification	Classification description	Expected protection duration	DFT (µm)
Construction	C2M	Slightly polluted atmosphere, predominately agriculture areas	5 to 15 year	120
Construction	C3M	Industrial and residential air pollution levels, with an average sulfurdioxide (IV) contamination level. Coastal areas with low salt content in air	2 to 5 year	120
Construction	C3M	Industrial and residential air pollution levels, with an average sulfurdioxide (IV) contamination level. Coastal areas with low salt content in air	5 to 15 year	160
Cargo handling	C3M	Industrial and residential air pollution levels, with an average sulfurdioxide (IV) contamination level. Coastal areas with low salt content in air	5 to 15 year	160
Cargo handling	C4H	Industrial areas and coastal areas with average salt content in air	more than 15 year	280
Cargo handling	C5-MM	Coastal areas and open sea with high salt content in air	5 to 15 year	280
Offshore	C4H	Industrial areas and coastal areas with average salt content in air	more than 15 year	300
Offshore	C5-MM	Coastal areas and open sea with high salt content in air	5 to 15 year	300
Offshore	C5-MH	Coastal areas and open sea with high salt content in air	more than 15 year	320
Offshore	NORSOK sys. 1*	Open sea with high salt content in air	more than 15 year	300

Snatch Blocks



- Hook
- Clevis
- Tailbord
- Oblong eye

Model Nr.	WLL UStons	For wire ød inch	Dimensions (inch)								Weight lbs
			øD1	øD2	B	H	T	TA	TB	TC(TL)	
VB 355.22.1.14.S	15	7/8	16.1	14	13	1.4	1.9	16.6	3.6	35	190
VB 240.28.1.20.S	22	1 - 1/8	11.8	9.4	10	1.5	1.9	12.2	3.3	28.9	120
VB 300.32.1.20.S	22	1 1/8 - 1/4	14.4	11.8	11.3	1.5	1.9	14.8	3.3	31.4	130
VB 240.28.1.25.S	27.5	1 - 1/8	11.8	9.4	10	1.6	2.1	12.2	3.3	28.6	125
VB 300.32.1.25.S	27.5	1 1/8 - 1/4	14.4	11.8	11.3	1.6	2.1	14.8	3.3	31.2	140
VB 390.26.1.25.S	27.5	7/8 - 1	17.7	15.4	13.8	2.1	2.8	16.1	4.4	39.5	265
VB 240.28.1.27.S	30	1 - 1/8	11.8	9.4	10	1.7	2.2	12.2	3.3	32	150
VB 300.32.1.27.S	30	1 1/8 - 1/4	14.4	11.8	11.3	1.7	2.2	14.8	3.3	34.6	185
VB 345.32.1.32.S	35	1 1/8 - 1/4	15.7	13.6	12.8	2.1	2.8	16.1	4.4	37.4	265
VB 345.36.1.32.S	35	1/4 - 1 3/8	15.7	13.6	12.8	2.1	2.8	16.1	4.4	37.4	265
VB 390.32.1.32.S	35	1 1/8 - 1/4	17.7	15.4	13.8	2.1	2.8	18.5	4.4	39.5	310
VB 390.38.1.32.S	35	1 3/8 - 1/2	17.7	15.4	13.8	2.1	2.8	18.5	4.4	39.5	310
VB 430.32.1.32.S	35	1 1/8 - 1/4	19.5	16.9	14.8	2.1	2.8	20.1	4.4	41.3	330
VB 430.38.1.32.S	35	1 3/8 - 1/2	19.5	16.9	14.8	2.1	2.8	20.1	4.4	41.3	330
VB 520.32.1.32.S	35	1 1/8 - 1/4	23.4	20.5	17.1	2.1	2.8	24	4.4	45.6	660
VB 430.32.1.36,5.S	40	1 1/8 - 1/4	19.5	16.9	15.7	2.1	2.8	20.1	4.8	42.7	440
VB 430.38.1.36,5.S	40	1 3/8 - 1/2	19.5	16.9	15.7	2.1	2.8	20.1	4.8	42.7	440
VB 240.28.1.55.S	60	1 - 1/8	11.8	9.4	11.4	2.3	3.1	12.2	5.6	37.8	383
VB 520.38.1.55.S	60	1 3/8 - 1/2	23.4	20.5	18.1	2.3	3.1	24	5.6	50.4	680
VB 520.44.1.55.S	60	1 1/2 - 1 3/4	23.4	20.5	18.1	2.3	3.1	24	5.6	50.4	680
VB 520.52.1.55.S	60	1 3/4 - 2	23.4	20.5	18.1	2.3	3.1	24	5.6	50.4	680
VB 520.52.1.75.S	82.5	1 3/4 - 2	23.4	20.5	18.1	2.9	3.9	24	5.6	52.6	726
VB 630.58.1.75.S	82.5	1 3/4 - 2 1/4	29.5	24.8	22.4	2.9	3.9	30.3	8	71.5	1265
VB 710.68.1.100.S	110	2 1/2 - 2 3/8	31.5	28	25.6	3.4	4.7	32.3	8	75.2	1605
VB 800.76.1.125.S	137.5	2 3/4 - 3	35	31.5	29.5	3.4	4.7	36.2	8	84.6	2200

Also Available in Double Sheave Models:

VB 240.28.2.20.S*	22	1 - 1/8	11.8	9.4	10	1.5	1.9	12.2	6.2	26.9	200
VB 300.32.2.32.S	35	1 1/8 - 1/4	14.4	11.8	11.3	2.1	2.8	14.8	6.2	32.8	265
VB 430.28.2.73.S	80	1 1/8 - 1/2	19.5	16.9	16.1	2.8	3.9	20.1	9.6	61	1050
VB 520.38.2.125.S	137.5	1 3/8 - 1/2	23.4	20.5	18.1	3.4	4.7	24	10.1	57.1	1345

* Available with and without Dead End

- The dimensions in this table are indicative only. A drawing will always be submitted prior to production and will be the leading document when discussing dimensions.
- Blocks shown here are standard models; other wire rope sizes available for each model upon request.
- Refer to wire rope manufacturers D/d ratio guideline.

Rigging

High Capacity Light Weight Blocks

Ropeblock light weight tilt-up blocks are an excellent choice when a combination of low weight and high capacity is required. Durability and easy of use are some of the key benefits in addition to:

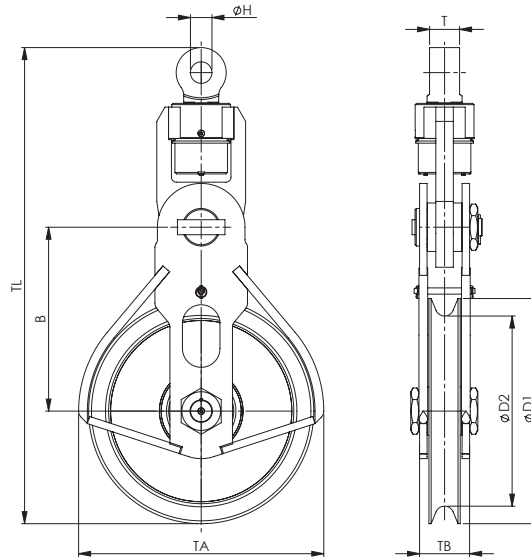
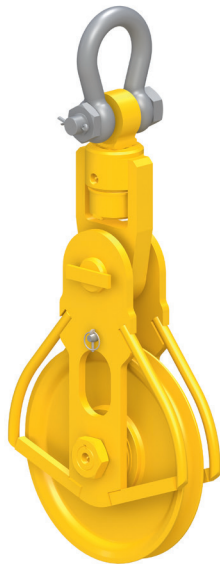
- Design Factor of Safety of 4:1
- Meets performance requirements of ASME B30
- Double sealed roller bearings
- Shackle eye or oblong eye connection
- Operational temperature range: -40 up to +80 °C / -40 up to +176 °F
- C3M finish in signal yellow

Recommended finish

Segment / application	ISO 12944 classification	Classification description	Expected protection duration	DFT (µm)
Construction	C2M	Slightly polluted atmosphere, predominately agriculture areas	5 to 15 year	120
Construction	C3M	Industrial and residential air pollution levels, with an average sulfurdioxide (IV) contamination level. Coastal areas with low salt content in air	2 to 5 year	120
Construction	C3M	Industrial and residential air pollution levels, with an average sulfurdioxide (IV) contamination level. Coastal areas with low salt content in air	5 to 15 year	160
Cargo handling	C3M	Industrial and residential air pollution levels, with an average sulfurdioxide (IV) contamination level. Coastal areas with low salt content in air	5 to 15 year	160
Cargo handling	C4H	Industrial areas and coastal areas with average salt content in air	more than 15 year	280
Cargo handling	C5-MM	Coastal areas and open sea with high salt content in air	5 to 15 year	280
Offshore	C4H	Industrial areas and coastal areas with average salt content in air	more than 15 year	300
Offshore	C5-MM	Coastal areas and open sea with high salt content in air	5 to 15 year	300
Offshore	C5-MH	Coastal areas and open sea with high salt content in air	more than 15 year	320
Offshore	NORSOK sys. 1*	Open sea with high salt content in air	more than 15 year	300

High Capacity Light Weight Blocks

light weight tilt-up blocks



- Hook
- Clevis
- Tailbord
- Oblong eye

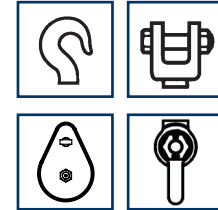
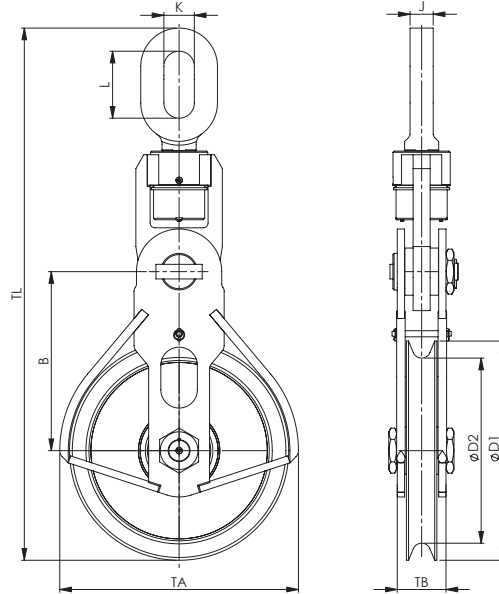
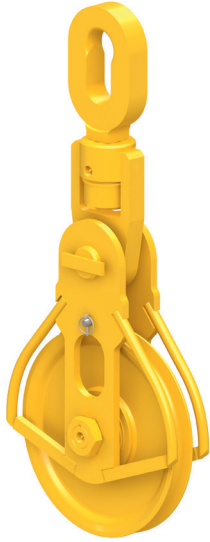
Model Nr.	WLL UStons	For wire ø inch	Dimensions (inch)								Weight lbs
			øD1	øD2	B	øH	T	TA	TB	TL	
HCLW 240.28.1.25.S	27.5	1 - 1½	11.8	9.4	10.2	1.6	2.1	14	4	28.7	155
HCLW 355.32.1.27.S	30	1½ - 1¼	16.5	14	14.8	1.7	2.2	18.7	4.4	39.1	265
HCLW 355.36.1.32.S	35	1¼ - 1¾	16.5	14	14.8	1.7	2.2	18.7	4.8	39.1	265
HCLW 430.32.1.27.S	30	1½ - 1¼	19.5	16.9	16.3	1.7	2.2	21.7	4.4	42.2	240
HCLW 430.32.1.32.S	35	1½ - 1¼	19.5	16.9	16.3	1.7	2.2	21.7	4.8	42.1	285
HCLW 430.38.1.32.S	35	1¼ - 1½	19.5	16.9	16.3	1.7	2.2	21.7	4.8	42.1	255
HCLW 430.38.1.40.S	45	1¼ - 1½	19.5	16.9	16.3	2	2.8	21.7	4.8	43.6	320
HCLW 520.38.1.55.S	60	1¼ - 1½	23.4	20.5	19.1	2.8	3.9	25.6	5.2	51.9	420
HCLW 520.44.1.55.S	60	1½ - 1¾	23.4	20.5	19.1	2.3	3.1	25.6	5.2	51.5	420
HCLW 520.52.1.55.S	60	1¾ - 2	23.4	20.5	19.1	2.3	3.1	25.6	5.2	51.5	420
HCLW 630.58.1.81.S	90	2 - 2¼	28	24.8	22.6	2.9	3.9	30.6	6	62.4	880
HCLW 630.64.1.81.S	90	2¼ - 2½	28	24.8	22.6	2.9	3.9	30.6	6	62.4	880
HCLW 760.70.1.110.S	120	2½ - 2¾	35.4	29.9	28.9	3.4	4.7	38.6	7.9	74.9	1200
HCLW 760.76.1.110.S	120	2¾ - 3	35.4	29.9	28.9	3.4	4.7	38.6	7.9	74.9	1200
HCLW 760.76.1.125.S	137.5	2¾ - 3	35.4	29.9	28.9	3.3	4.7	38.6	7.9	74.4	1320
HCLW 760.76.1.137,5.S	150	2¾ - 3	35.4	29.9	28.9	3.3	4.7	38.6	7.9	74.4	1540

- The dimensions in this table are indicative only. A drawing will always be submitted prior to production and will be the leading document when discussing dimensions.
- Blocks shown here are standard models; other wire rope sizes available for each model upon request.
- Refer to wire rope manufacturers D/d ratio guideline.

Minimum Ultimate Strength = 4 x WLL.

High Capacity Light Weight Blocks

light weight tilt-up blocks



- Hook
- Clevis
- Tailbord
- Shackle stud eye

Model Nr.	WLL UStons	For wire ø inch	Dimensions (inch)									Weight lbs
			øD1	øD2	B	J	K	L	TA	TB	TL	
HCLW 240.28.1.25.O	27.5	1 - 1 1/8	11.8	9.4	10.2	2	3	5.9	14	4	37.2	175
HCLW 355.32.1.27.O	30	1 1/8 - 1 1/4	16.5	14	14.8	2.4	3.1	6.9	18.7	4.4	47	290
HCLW 355.36.1.32.O	35	1 1/4 - 1 3/8	16.5	14	14.8	2.4	3.1	6.9	18.7	4.8	47	290
HCLW 430.32.1.27.O	30	1 1/8 - 1 1/4	19.5	16.9	16.3	2.4	3.1	6.9	21.7	4.4	50	275
HCLW 430.32.1.32.O	35	1 1/8 - 1 1/4	19.5	16.9	16.3	2.4	3.1	6.9	21.7	4.4	49	310
HCLW 430.38.1.32.O	35	1 1/4 - 1 1/2	19.5	16.9	16.3	2.4	3.1	6.9	21.7	4.8	50	290
HCLW 430.38.1.40.O	45	1 1/4 - 1 1/2	19.5	16.9	16.3	2.6	3.5	7.9	21.7	4.8	51.6	340
HCLW 520.38.1.55.O	60	1 1/4 - 1 1/2	23.4	16.9	19.1	2.6	3.5	7.5	25.6	5.2	60	480
HCLW 520.44.1.55.O	60	1 1/2 - 1 3/4	23.4	20.5	19.1	2.8	3.9	8.7	25.6	5.2	60.5	480
HCLW 520.52.1.55.O	60	1 3/4 - 2	23.4	20.5	19.1	2.8	3.9	8.7	25.6	5.2	60.5	480
HCLW 630.58.1.81.O	90	2 - 2 1/4	28	24.8	22.6	3.1	4.3	9.8	30.6	6	74.1	915
HCLW 630.64.1.81.O	90	2 1/4 - 2 1/2	28	24.8	22.6	3.1	4.3	9.8	30.6	6	74.1	915
HCLW 760.70.1.110.O	120	2 1/2 - 2 3/4	35.4	29.9	28.9	3.7	4.9	10.8	38.6	7.9	86.2	1300
HCLW 760.76.1.110.O	120	2 3/4 - 3	35.4	29.9	28.9	3.7	4.9	10.8	38.6	7.9	86.2	1300
HCLW 760.76.1.125.O	137.5	2 3/4 - 3	35.4	29.9	28.9	3.9	4.9	10.8	38.6	7.9	86.2	1430
HCLW 760.76.1.137,5.O	150	2 3/4 - 3	35.4	29.9	28.9	3.9	4.9	10.8	38.6	7.9	86.2	1650

- The dimensions in this table are indicative only. A drawing will always be submitted prior to production and will be the leading document when discussing dimensions.
- Blocks shown here are standard models; other wire rope sizes available for each model upon request.
- Refer to wire rope manufacturers D/d ratio guideline.

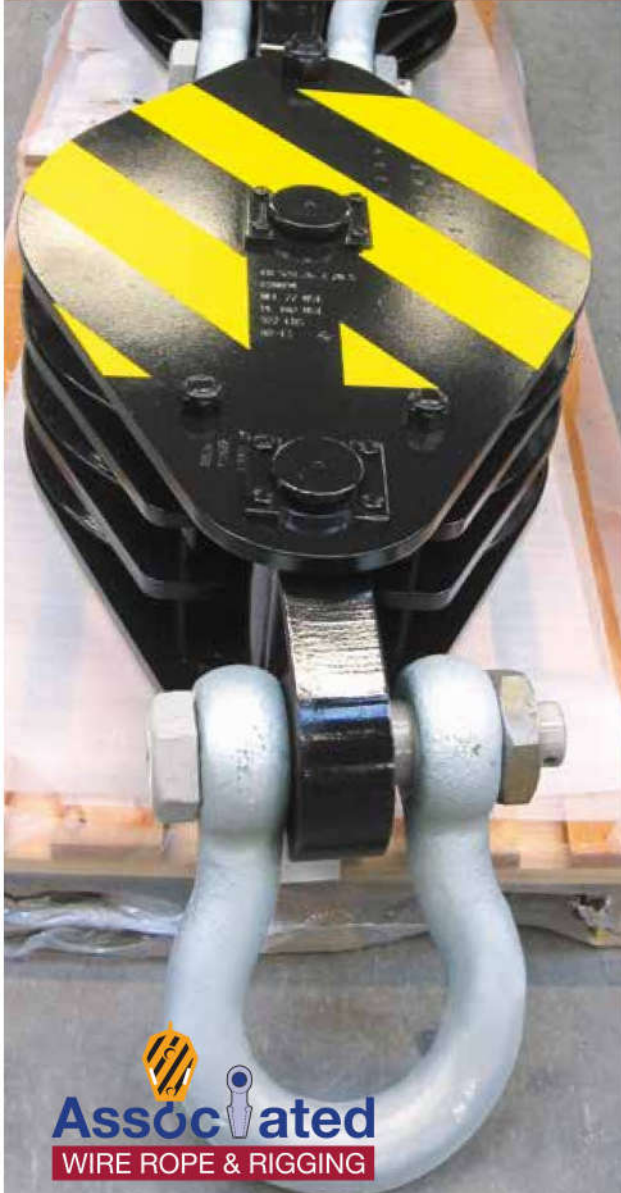
Minimum Ultimate Strength = 4 x WLL.

Construction blocks

Ropeblock offers a wide range of customized construction blocks. Depending availability or further requirements these are standard designed using all optimal features of Ropeblock product lines. The head fitting and dead-end connection will reflect your specific demands. A contract drawing will be provided prior to sale.

- Design factor 4:1 / dynamic rating where required
- Double sealed roller bearings or bronze journal bearings
- Compact design
- Head fitting and dead-end per specification
- High impact resistant side plates
- Separate lubrication channels with protected grease fittings available
- Temperature range depending application
- Required certification
- C3M finish in signal yellow

Please contact your sales representative for the endless options.



 **Associated**
WIRE ROPE & RIGGING

8125 Saran Dr. • Playa del Rey, CA 90293
Phone: 310.448.5444 • Fax: 310.448.5446
sales@awrrinc.com
www.AssociatedWireRope.com


ROPEBLOCK



Equalizer Blocks

The Equalizer Block is used with high performance synthetic slings to evenly distribute weight when performing lifts. Rather than adjusting slings and hook prior to completing a lift, the Equalizer Block will automatically adjust.

