



Construction segment

Fast Reeve Crane Blocks

Blocks shown in this section may be used on a wide variety of land based cranes such as mobile and crawler cranes. The Fast Reeve Blocks are an excellent choice for your lifting application where frequent block change is required and includes the following standard features:

- Design Factor of Safety of 4:1
- Meets performance requirements of ASME B30
- Double sealed maintenance free roller bearings
- Forged high tensile steel DIN hooks
- Ductile iron sheaves, featuring graphite lubricated groove
- High impact resistant side plates
- Operational temperature range: -40 up to +80 °C / -40 up to +176 °F
- Lubrication on hook suspension
- 4 or 8 point hook locking device
- Fast Reeve guides for fast reeving
- C3M finish in signal yellow with black striping
- Safety latch with locking pin
- Includes test report & hook certificate

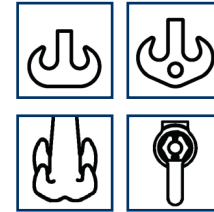
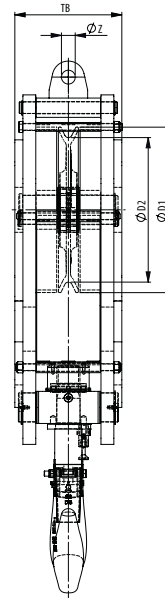
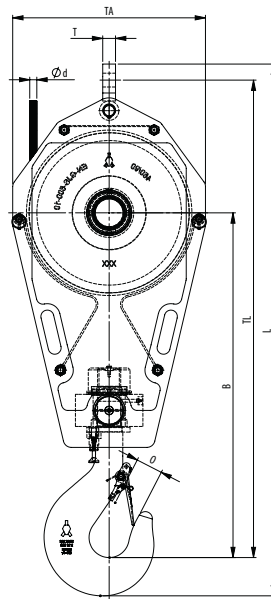
Please contact your sales representative for more details

Recommended finish

Segment / application	ISO 12944 classification	Classification description	Expected protection duration	DFT (µm)
Construction	C2M	Slightly polluted atmosphere, predominately agriculture areas	5 to 15 year	120
Construction	C3M	Industrial and residential air pollution levels, with an average sulfurdioxide (IV) contamination level. Coastal areas with low salt content in air	2 to 5 year	120
Construction	C3M	Industrial and residential air pollution levels, with an average sulfurdioxide (IV) contamination level. Coastal areas with low salt content in air	5 to 15 year	160
Cargo handling	C3M	Industrial and residential air pollution levels, with an average sulfurdioxide (IV) contamination level. Coastal areas with low salt content in air	5 to 15 year	160
Cargo handling	C4H	Industrial areas and coastal areas with average salt content in air	more than 15 year	280
Cargo handling	C5-MM	Coastal areas and open sea with high salt content in air	5 to 15 year	280
Offshore	C4H	Industrial areas and coastal areas with average salt content in air	more than 15 year	300
Offshore	C5-MM	Coastal areas and open sea with high salt content in air	5 to 15 year	300
Offshore	C5-MH	Coastal areas and open sea with high salt content in air	more than 15 year	320
Offshore	NORSOK sys. 1*	Open sea with high salt content in air	more than 15 year	300

Fast Reeve Crane Blocks

1 sheave



anti-rotation hook locking device



Model Nr.	WLL UStons	For wire ød inch	Hook size	Dimensions (inch)										Weight lbs
				øD1	øD2	B	O	TA	TL	L	T	øZ		
FRB 225.xx.1.12,5.E	13.7	3/8 - 9/16	4	10.2	8.9	23.1	2.2	13.6	34	38.2	TBD	TBD	195	
FRB 260.xx.1.12,5.E	13.7	7/16 - 5/8	4	11.8	10.2	25.7	2.2	15.7	36.9	41.9	TBD	TBD	220	
FRB 225.xx.1.16.E	17.6	3/8 - 9/16	6	10.2	8.9	23.9	2.8	13.6	34.8	39.7	TBD	TBD	225	
FRB 260.xx.1.16.E	17.6	7/16 - 5/8	6	11.8	10.2	27.3	2.8	15.7	38.5	43.4	TBD	TBD	265 325 375	
FRB 285.xx.1.16.E	17.6	1/2 - 3/4	6	12.6	11.2	28.5	2.8	16.5	40.3	45.2	TBD	TBD	350	
FRB 320.xx.1.16.E	17.6	9/16 - 3/4	6	14.4	12.6	28.7	2.8	17.7	41.8	16.8	TBD	TBD	350	
FRB 355.xx.1.16.E	17.6	9/16 - 7/8	6	16.1	14	31	2.8	19.7	44.6	49.7	TBD	TBD	500 550	
FRB 260.xx.1.20.E	22	7/16 - 5/8	8	11.8	10.2	29.4	3.1	15.7	40.7	46	TBD	TBD	285 375 425	
FRB 285.xx.1.20.E	22	1/2 - 3/4	8	12.6	11.2	30.6	3.1	16.5	42.4	47.8	TBD	TBD	350	
FRB 320.xx.1.20.E	22	9/16 - 3/4	8	14.4	12.6	30.2	3.1	17.7	43.3	48.7	TBD	TBD	350 425 475	
FRB 355.xx.1.20.E	22	9/16 - 7/8	8	16.1	14	33.6	3.1	19.7	47.2	52.5	TBD	TBD	550 660	
FRB 355.xx.1.25.E	27.5	9/16 - 7/8	8	16.1	14	33.4	3.1	19.7	47	52.5	TBD	TBD	550 750	
FRB 400.xx.1.25.E	27.5	5/8 - 1	8	18.1	15.7	34.8	3.1	22.4	49.5	55.2	TBD	TBD	700 750	
FRB 400.xx.1.29.E	32	5/8 - 1	8	18.1	15.7	34.8	3.1	22.4	49.9	55.6	TBD	TBD	800	
FRB 450.xx.1.29.E	32	3/4 - 1 1/8	8	20.3	17.7	37.3	3.1	23.6	51.4	59.3	TBD	TBD	650 800	
FRB 450.xx.1.32.E	35	3/4 - 1 1/8	10	20.3	17.7	39.5	3.5	23.6	56.1	62.7	TBD	TBD	1100 1320	
FRB 528.xx.1.32.E	35	7/8 - 1 1/4	10	23.4	20.8	40.5	3.5	28	58.7	65.3	TBD	TBD	1100 1320 1500	
FRB 670.xx.1.32.E	35	1 - 1 1/2	10	29.9	26.4	41.3	3.5	34.3	63.3	70.3	TBD	TBD	1700	
FRB 450.xx.1.40.E	45	3/4 - 1 1/8	12	20.3	17.7	42.3	3.9	23.6	58.9	65.9	TBD	TBD	1300 1500	
FRB 528.xx.1.40.E	45	7/8 - 1 1/4	12	23.4	20.8	43.9	3.9	28	62.7	69.7	TBD	TBD	1500 1700 1875 2000	
FRB 450.xx.1.50.E	55	3/4 - 1 1/8	12	20.3	17.7	43.1	3.9	23.6	59.6	67.2	TBD	TBD	1300 1500	
FRB 528.xx.1.50.E	55	7/8 - 1 1/4	12	23.4	20.8	43.7	3.9	28	62.6	70.1	TBD	TBD	1500 1700 1875 2000	
FRB 575.xx.1.50.E	55	15/16 - 1 1/4	12	25.6	22.6	45	3.9	30.3	64.9	72.9	TBD	TBD	2200	
FRB 630.xx.1.50.E	55	1 - 1 3/8	12	27.9	24.8	43.6	3.9	35.4	64.7	72.1	TBD	TBD	1800 / 3500 / 5300*	
FRB 670.xx.1.50.E	55	1 - 1 1/2	12	29.9	26.4	44.1	3.9	34.3	66.3	73.7	TBD	TBD	2000 2600 3000	
FRB 670.xx.1.64.E	70	1 - 1 1/2	16	29.9	26.4	49.1	4.4	34.3	71.4	79.3	TBD	TBD	2200 2600 3000	

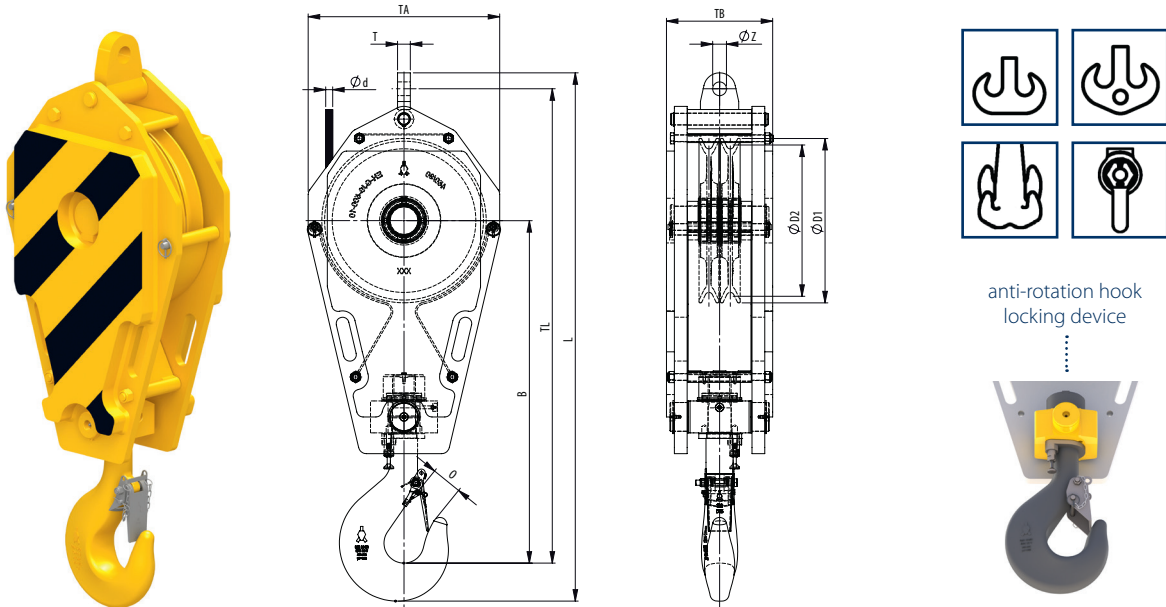
NOTE xx = to be replaced by metric wire size in final part number; TBD = these dimensions vary with wire size
 * = blocks can be fitted with removable / interchangeable cheek weights

Minimum Ultimate Strength = 4 x WLL

- The dimensions in this table are indicative only. A drawing will always be submitted prior to production and will be the leading document when discussing dimensions.
- Blocks shown here are standard models; other wire rope sizes available for each model upon request.
- Refer to wire rope manufacturers D/d ratio guideline.
- Hook locking pin included on all blocks 45UStons and higher.

Fast Reeve Crane Blocks

2 sheaves



Model Nr.	WLL UStons	For wire ød inch	Hook size	Dimensions (inch)										Weight lbs
				øD1	øD2	B	O	TA	TL	L	T	øZ		
FRB 225.xx.2.16.E	17.6	3/8 - 9/16	6	10.2	8.9	23.9	2.8	13.6	34.8	39.7	TBD	TBD	265	
FRB 260.xx.2.16.E	17.6	7/16 - 5/8	6	11.8	10.2	27.3	2.8	15.7	38.5	43.4	TBD	TBD	285 350	
FRB 225.xx.2.20.E	22	3/8 - 9/16	8	10.2	8.9	28.3	3.1	13.6	37.7	43.1	TBD	TBD	285	
FRB 260.xx.2.20.E	22	7/16 - 5/8	8	11.8	10.2	29.4	3.1	15.7	40.7	46	TBD	TBD	285 350 425	
FRB 260.xx.2.25.E	27.5	7/16 - 5/8	8	11.8	10.2	29.3	3.1	15.7	40.5	45.6	TBD	TBD	350 425	
FRB 320.xx.2.25.E	27.5	9/16 - 3/4	8	14.4	12.6	30	3.1	17.7	43.1	48.5	TBD	TBD	450 495	
FRB 320.xx.2.29.E	32	9/16 - 3/4	8	14.4	12.6	30.1	3.1	17.3	43.1	48.5	TBD	TBD	600	
FRB 355.xx.2.29.E	32	9/16 - 7/8	8	16.1	14	33.4	3.1	19.7	47	52.5	TBD	TBD	585 625 750	
FRB 400.xx.2.32.E	35	5/8 - 1	10	18.1	15.7	37.5	3.5	22.4	52.7	58.9	TBD	TBD	800	
FRB 450.xx.2.32.E	35	3/4 - 1 1/8	10	20.3	17.7	39.5	3.5	23.6	55.7	61.9	TBD	TBD	1100	
FRB 450.xx.2.46.E	50	3/4 - 1 1/8	12	20.3	17.7	42.2	3.9	23.6	58.5	65.2	TBD	TBD	1200	
FRB 450.xx.2.55.E	60	3/4 - 1 1/8	16	20.3	17.7	42.3	4.4	23.6	58.9	66.5	TBD	TBD	1600	
FRB 528.xx.2.55.E	60	7/8 - 1 1/4	12	23.4	20.8	43.8	3.9	27.9	62.6	70.1	TBD	TBD	2000	
FRB 670.xx.2.55.E	60	1 - 1 1/2	12	29.9	26.4	44.2	3.9	34.3	67	74.1	TBD	TBD	2080	
FRB 528.xx.2.70.E	77	7/8 - 1 1/4	16	23.4	20.8	47.3	4.4	28	65.2	72.8	TBD	TBD	2200	
FRB 670.xx.2.82.E	90	1 - 1 1/2	20	29.9	26.4	50.7	4.9	34.3	74.7	83.6	TBD	TBD	3400	

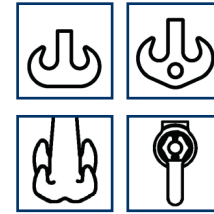
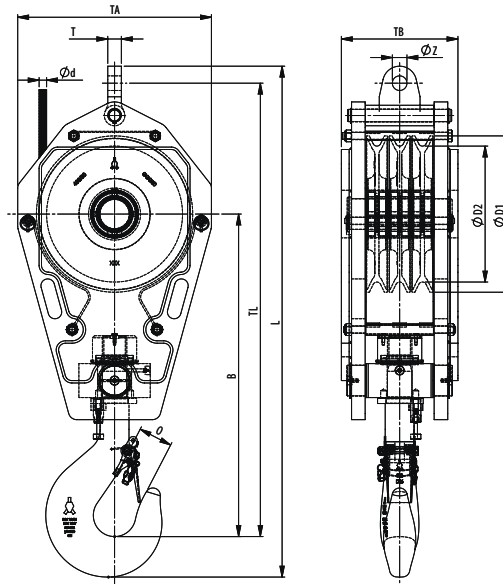
NOTE xx = to be replaced by metric wire size in final part number; TBD = these dimensions vary with wire size
 * = blocks can be fitted with removable / interchangeable cheek weights

Minimum Ultimate Strength = 4 x WLL

- The dimensions in this table are indicative only. A drawing will always be submitted prior to production and will be the leading document when discussing dimensions.
- Blocks shown here are standard models; other wire rope sizes available for each model upon request.
- Refer to wire rope manufacturers D/d ratio guideline.
- Hook locking pin included on all blocks 45UStons and higher.

Fast Reeve Crane Blocks

3 sheaves



anti-rotation hook locking device



Model Nr.	WLL UStons	For wire ød inch	Hook size	Dimensions (inch)									Weight lbs
				øD1	øD2	B	O	TA	TL	L	T	øZ	
FRB 225.xx.3.20.E	22	3/8 - 9/16	8	10.2	8.9	28.3	3.1	13.6	39.1	44.4	TBD	TBD	410
FRB 260.xx.3.20.E	22	7/16 - 5/8	8	11.8	10.2	28.5	3.1	15.7	40.1	45.4	TBD	TBD	410
FRB 260.xx.3.25.E	27.5	7/16 - 5/8	8	11.8	10.2	27.5	3.1	15.7	39.1	44.4	TBD	TBD	465
FRB 285.xx.3.29.E	32	1/2 - 3/4	8	12.6	11	27.7	3.5	16.5	39.9	45.2	TBD	TBD	460
FRB 320.xx.3.29.E	32	9/16 - 3/4	8	14.4	12.6	30	3.1	17.7	43.1	48.5	TBD	TBD	505
FRB 260.xx.3.32.E	35	7/16 - 5/8	10	11.8	10.2	28.9	3.5	15.7	40.5	46.3	TBD	TBD	465
FRB 285.xx.3.32.E	35	1/2 - 3/4	10	12.6	11	30	3.5	16.5	42.2	48	TBD	TBD	460 505
FRB 320.xx.3.32.E	35	9/16 - 3/4	10	14.4	12.6	32.2	3.5	17.7	45.3	51.1	TBD	TBD	505 625
FRB 320.xx.3.37.E	40	9/16 - 3/4	10	14.4	12.6	32.2	3.5	17.7	45.3	51.1	TBD	TBD	700
FRB 355.xx.3.37.E	40	9/16 - 7/8	10	16.1	14	34	3.5	19.7	48	53.7	TBD	TBD	700 825
FRB 360.xx.3.41.E	45	5/8 - 7/8	12	16.5	14.2	35.4	3.9	20.1	49.3	55.8	TBD	TBD	900
FRB 360.xx.3.46.E	50	5/8 - 7/8	12	16.5	14.2	35.4	3.9	20.1	49.3	55.8	TBD	TBD	900
FRB 400.xx.3.46.E	50	5/8 - 1	12	18.1	15.7	37.3	3.9	22.4	52.1	58.6	TBD	TBD	1000
FRB 360.xx.3.50.E	55	5/8 - 7/8	12	16.5	14.2	35.4	3.9	20.1	49.4	56.3	TBD	TBD	900 1200
FRB 400.xx.3.50.E	55	5/8 - 1	12	18.1	15.7	37.4	3.9	22.4	52.1	59.1	TBD	TBD	1100 1200 1350
FRB 360.xx.3.55.E	60	5/8 - 7/8	12	16.5	14.2	35.4	3.9	20.1	49.3	55.8	TBD	TBD	900 1200
FRB 400.xx.3.55.E	60	5/8 - 1	12	18.1	15.7	37.4	3.9	22.4	52.1	59.1	TBD	TBD	1100 1200 1350
FRB 400.xx.3.63.E	69	5/8 - 1	16	18.1	15.7	37.4	4.4	22.4	52.1	59.1	TBD	TBD	1350
FRB 450.xx.3.64.E	70	3/4 - 1 1/8	16	20.3	17.7	40.9	4.4	23.6	57.2	64.8	TBD	TBD	1500 1700
FRB 450.xx.3.70.E	77	3/4 - 1 1/8	16	20.3	17.7	41.1	4.4	23.6	57.4	64.6	TBD	TBD	1500 1700 1800
FRB 528.xx.3.70.E	77	7/8 - 1 1/4	16	23.4	20.8	47.6	4.4	28	65.9	73.5	TBD	TBD	2350
FRB 450.xx.3.82.E	90	3/4 - 1 1/8	20	20.3	17.7	46.5	4.9	23.6	62.8	70.7	TBD	TBD	1800 2200
FRB 528.xx.3.82.E	90	7/8 - 1 1/4	20	23.4	20.8	50.1	4.9	28	68.3	76.6	TBD	TBD	2500 2800
FRB 630.xx.3.82.E	90	1 - 1 3/8	20	27.9	24.8	53.7	4.9	32.7	74.1	82.1	TBD	TBD	3600
FRB 528.xx.3.100.E	110	7/8 - 1 1/4	20	23.4	20.8	50.1	4.9	28	68.3	76.6	TBD	TBD	2500 2800
FRB 528.xx.3.100.E	110	7/8 - 1 1/4	25	23.4	20.8	53.7	5.5	28	71.9	80.9	TBD	TBD	2860 3000
FRB 575.xx.3.100.E	110	15/16 - 1 1/4	25	25.6	22.6	51.3	5.5	30.3	71.2	80.6	TBD	TBD	3000
FRB 575.xx.3.100.E	110	15/16 - 1 1/4	25	25.6	22.6	51.3	5.5	30.3	71.2	80.6	TBD	TBD	2425 / 4520 / 6620*
FRB 630.xx.3.100.E	110	1 - 1 3/8	25	27.9	24.8	53.3	5.5	32.7	74.4	83.9	TBD	TBD	2425 / 4520 / 6620*
FRB 630.xx.3.100.E	110	1 - 1 3/8	25	27.9	24.8	53.3	5.5	32.7	74.4	83.9	TBD	TBD	3500
FRB 670.xx.3.100.E	110	1 - 1 1/2	25	29.9	26.4	55.2	5.5	34.3	77.5	87	TBD	TBD	4000 / 14000*
FRB 630.xx.3.125.E	137.5	1 - 1 3/8	25	27.9	24.8	55.4	5.5	35.4	77.7	88	TBD	TBD	3300 / 12100*
FRB 670.xx.3.137.E	150	1 - 1 1/2	25	29.9	26.4	54.6	5.5	34.3	73.8	83.2	TBD	TBD	8100 / 16000*

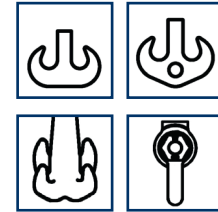
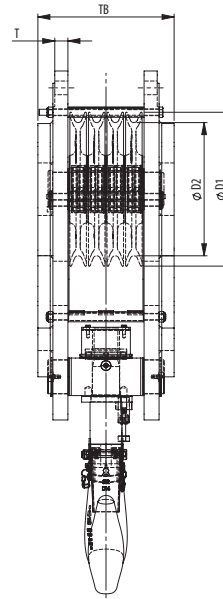
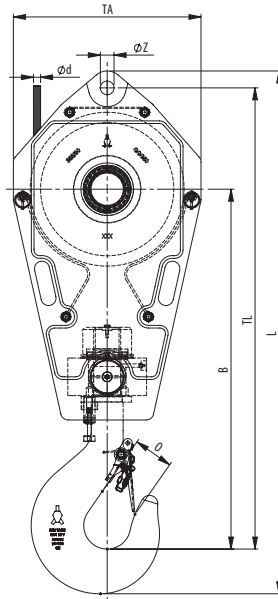
NOTE xx = to be replaced by metric wire size in final part number; TBD = these dimensions vary with wire size
 * = blocks can be fitted with removable / interchangeable cheek weights

Minimum Ultimate Strength = 4 x WLL

- The dimensions in this table are indicative only. A drawing will always be submitted prior to production and will be the leading document when discussing dimensions.
- Blocks shown here are standard models; other wire rope sizes available for each model upon request.
- Refer to wire rope manufacturers D/d ratio guideline.
- Hook locking pin included on all blocks 45UStons and higher.

Fast Reeve Crane Blocks

4 sheaves



anti-rotation hook locking device



Model Nr.	WLL UStons	For wire ød inch	Hook size	Dimensions (inch)										Weight lbs
				øD1	øD2	B	O	TA	TL	L	T	øZ		
FRB 355.xx.4.35.E	38.5	9/16 - 7/8	10	16.1	14	36.7	3.5	19.7	47.4	53.1	TBD	TBD	925	
FRB 320.xx.4.37.E	40	9/16 - 3/4	10	14.4	12.6	29.6	3.5	17.7	39	44.8	TBD	TBD	700	
FRB 355.xx.4.37.E	40	9/16 - 7/8	10	16.1	14	34	3.5	19.7	44.6	50.4	TBD	TBD	620	
FRB 320.xx.4.41.E	45	9/16 - 3/4	12	14.4	12.6	34.6	3.9	17.7	43.9	50.2	TBD	TBD	760	
FRB 355.xx.4.55.E	60	9/16 - 7/8	12	16.1	14	37.8	3.9	19.7	48.4	54.8	TBD	TBD	1100	
FRB 400.xx.4.70.E	77	5/8 - 1	16	18.1	15.7	40.9	4.4	22.4	52.5	57.7	TBD	TBD	1500	
FRB 450.xx.4.70.E	77	3/4 - 1 1/8	16	20.3	17.7	40.9	4.4	23.6	57	62.2	TBD	TBD	1650 1800	
FRB 528.xx.4.70.E	77	7/8 - 1 1/4	16	23.4	20.8	42.7	4.4	27.9	57.7	65.1	TBD	TBD	2800	
FRB 528.xx.4.82.E	90	7/8 - 1 1/4	20	23.4	20.8	50.1	4.9	28	68.3	74.3	TBD	TBD	2800	
FRB 528.xx.4.100.E	110	7/8 - 1 1/4	25	23.4	20.8	50.7	5.5	28	68.6	75.3	TBD	TBD	2800	
FRB 528.xx.4.137,5.E	150	7/8 - 1 1/4	32	23.4	20.8	54.6	6.3	28	69.8	79.9	TBD	TBD	3150	
FRB 575.xx.4.137,5.E	150	1 1/16 - 1 1/4	32	25.6	22.6	55.6	6.3	30.3	72.2	82.1	TBD	TBD	3000	
FRB 670.xx.4.137,5.E	150	1 - 1 1/2	32	29.9	26.4	56.7	6.3	34.3	75.7	86	TBD	TBD	3200	

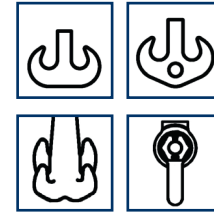
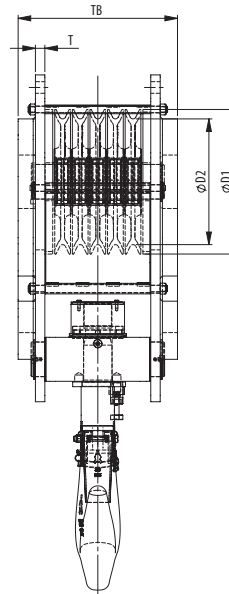
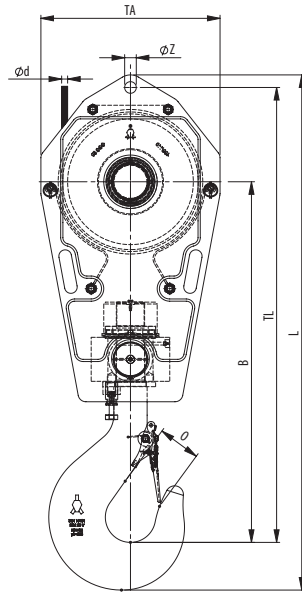
NOTE xx = to be replaced by metric wire size in final part number; TBD = these dimensions vary with wire size
 * = blocks can be fitted with removable / interchangeable cheek weights

Minimum Ultimate Strength = 4 x WLL

- The dimensions in this table are indicative only. A drawing will always be submitted prior to production and will be the leading document when discussing dimensions.
- Blocks shown here are standard models; other wire rope sizes available for each model upon request.
- Refer to wire rope manufacturers D/d ratio guideline.
- Hook locking pin included on all blocks 45UStons and higher.

Fast Reeve Crane Blocks

5 sheaves



anti-rotation hook locking device



Model Nr.	WLL US tons	For wire ød inch	Hook size	Dimensions (inch)									Weight lbs
				øD1	øD2	B	O	TA	TL	L	T	øZ	
FRB 355.xx.5.55.E	60	5/16 - 7/8	12	16.1	14	37.8	3.9	19.7	48.2	52.8	TBD	TBD	1100 1280
FRB 360.xx.5.64.E	70	5/8 - 7/8	16	16.5	14.2	39.3	4.4	20.1	49.9	56.8	TBD	TBD	1340 1550
FRB 360.xx.5.70.E	77	5/8 - 7/8	16	16.5	14.2	39.3	4.4	20.1	49.9	56.8	TBD	TBD	1340 1550
FRB 360.xx.5.72.E	80	5/8 - 7/8	16	16.5	14.2	39.6	4.4	20.1	50.2	57.1	TBD	TBD	1340 1550
FRB 400.xx.5.82.E	90	5/8 - 1	20	18.1	15.7	45.2	4.9	22.4	57	62.9	TBD	TBD	1477 1540 1600 1800
FRB 400.xx.5.91.E	100	5/8 - 1	20	18.1	15.7	45.2	4.9	22.4	57	65.2	TBD	TBD	2250
FRB 450.xx.5.91.E	100	3/4 - 1 1/8	20	20.3	17.7	46.7	4.9	23.6	59.9	67.9	TBD	TBD	2250
FRB 400.xx.5.95.E	105	5/8 - 1	20	18.1	15.7	40.7	4.9	22.4	53.1	59.9	TBD	TBD	2250 2870
FRB 400.xx.5.100.E	110	5/8 - 1	20	18.1	15.7	40.7	4.9	22.4	53.1	59.9	TBD	TBD	2250
FRB 450.xx.5.100.E	110	3/4 - 1 1/8	25	20.3	17.7	49.7	5.5	23.6	62.9	69.6	TBD	TBD	1900 2200 2510
FRB 528.xx.5.100.E	110	7/8 - 1 1/4	25	23.4	20.8	49.9	5.5	28	65.9	74.6	TBD	TBD	2500 2800
FRB 528.xx.5.100.E	110	7/8 - 1 1/4	25	23.4	20.8	50.9	5.5	31.1	66	75.1	TBD	TBD	2860 / 3960 / 5060*
FRB 575.xx.5.100.D	110	1 1/16 - 1 1/4	25	25.6	22.6	33.7	5.5	30.3	70.2	78.4	TBD	TBD	2860 / 3960 / 5060*
FRB 528.xx.5.119.E	130	7/8 - 1 1/4	25	23.4	20.8	52.1	5.5	27.9	67.6	76.6	TBD	TBD	3300
FRB 450.xx.5.125.D	137.5	3/4 - 1 1/8	32	20.3	17.7	50.7	6.3	23.6	63.7	72.1	TBD	TBD	3630
FRB 528.xx.5.125.E	137.5	7/8 - 1 1/4	32	23.4	20.8	52.5	6.3	28	67.8	75.3	TBD	TBD	3500 3960
FRB 450.xx.5.137.D	150	3/4 - 1 1/8	32	20.3	17.7	50.8	6.3	23.6	64.6	72	TBD	TBD	3630
FRB 528.xx.5.137.E	150	7/8 - 1 1/4	32	23.4	20.8	54.4	6.3	28	69.8	79.7	TBD	TBD	3500
FRB 670.xx.5.137.D	150	1 - 1 1/2	32	29.9	26.4	56.6	6.3	34.3	75.7	85.3	TBD	TBD	6000*
FRB 630.xx.5.150.E	165	1 - 1 3/8	32	27.9	24.8	58.8	6.3	32.7	77.9	85.4	TBD	TBD	4600 / 6100*
FRB 528.xx.5.160.E	176	7/8 - 1 1/4	40	23.4	20.8	59.1	7.1	28	77.9	86.3	TBD	TBD	4000 4500
FRB 575.xx.5.160.E	176	1 1/16 - 1 1/4	40	25.6	22.6	62.6	7.1	30.3	79.2	87.5	TBD	TBD	5500
FRB 630.xx.5.160.D	176	1 - 1 3/8	40	27.9	24.8	57.6	7.1	32.7	75.3	85.4	TBD	TBD	5500
FRB 670.xx.5.160.E	176	1 - 1 1/2	40	29.9	26.4	62.6	7.1	34.3	81.1	92	TBD	TBD	6000*
FRB 528.xx.5.182.DB	200	7/8 - 1 1/4	40	23.4	20.8	58.1	7.1	27.9	73.4	86.5	TBD	TBD	3860
FRB 575.xx.5.182.D	200	1 1/16 - 1 1/4	40	25.6	22.6	62.6	7.1	30.3	79.2	90.2	TBD	TBD	5500
FRB 630.xx.5.182.E	200	1 - 1 3/8	40	27.9	24.8	62.3	7.1	32.7	79.4	89.8	TBD	TBD	5500
FRB 670.xx.5.182.D	200	1 - 1 1/2	40	29.9	26.4	67.6	7.1	34.3	86.9	96.1	TBD	TBD	6000*
FRB 630.xx.5.200.D	220	1 - 1 3/8	50	27.9	24.8	63.9	7.9	35.4	86.1	96.8	TBD	TBD	5000 up to 15400*

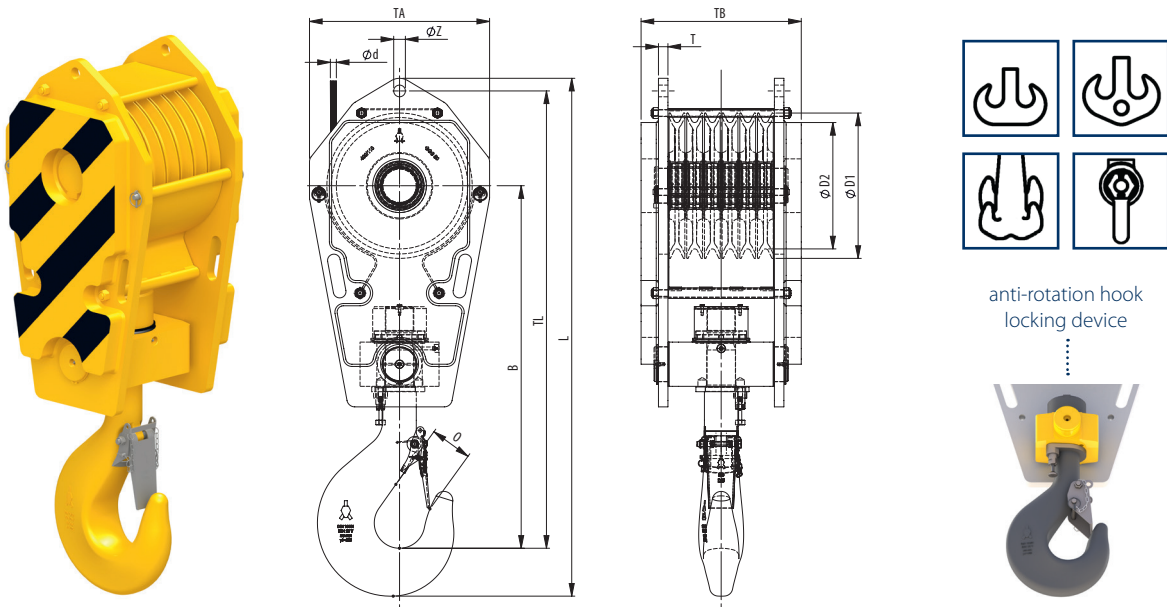
NOTE xx = to be replaced by metric wire size in final part number; TBD = these dimensions vary with wire size
 * = blocks can be fitted with removable / interchangeable cheek weights

Minimum Ultimate Strength = 4 x WLL

- The dimensions in this table are indicative only. A drawing will always be submitted prior to production and will be the leading document when discussing dimensions.
- Blocks shown here are standard models; other wire rope sizes available for each model upon request.
- Refer to wire rope manufacturers D/d ratio guideline.
- Hook locking pin included on all blocks 45US tons and higher.

Fast Reeve Crane Blocks

6 sheaves



Model Nr.	WLL UStons	For wire ø inch	Hook size	Dimensions (inch)										Weight lbs
				øD1	øD2	B	O	TA	TL	L	T	øZ		
FRB 355.xx.6.55.E	55	9/16 - 7/8	12	16.1	14	35.8	3.9	19.7	46	52.4	TBD	TBD	1496	
FRB 360.xx.6.64.E	70	5/8 - 7/8	16	16.5	14.2	38.3	4.4	20.1	48.9	50.3	TBD	TBD	1495	
FRB 400.xx.6.64.E	70	5/8 - 1	16	18.1	15.7	41.9	4.4	22.4	53.7	60.5	TBD	TBD	1700	
FRB 400.xx.6.82.E	90	5/8 - 1	20	18.1	15.7	45.2	4.9	22.4	57	62.9	TBD	TBD	1800	
FRB 450.xx.6.82.E	90	3/4 - 1 1/8	20	20.3	17.7	46.7	4.9	23.6	62.2	68.1	TBD	TBD	2000	
FRB 400.xx.6.91.E	100	5/8 - 1	20	18.1	15.7	44.6	4.9	22.4	56.4	64	TBD	TBD	2200	
FRB 450.xx.6.100.E	110	3/4 - 1 1/8	25	20.3	17.7	49.7	5.5	23.6	62.9	69.6	TBD	TBD	2500	
FRB 528.xx.6.100.E	110	7/8 - 1 1/4	25	23.4	20.8	50.1	5.5	28	64.9	73.4	TBD	TBD	2500	
FRB 450.xx.6.120.E	132	3/4 - 1 1/8	25	20.3	17.7	47.9	5.5	22.4	59.8	68.1	TBD	TBD	2200	
FRB 528.xx.6.137.E	150	7/8 - 1 1/4	32	23.4	20.8	52.5	6.3	28	67.8	77.8	TBD	TBD	3500	
FRB 528.xx.6.150.E	165	7/8 - 1 1/4	40	23.5	20.8	61.1	7.1	28	79.5	87.9	TBD	TBD	4000	
FRB 528.xx.6.160.E	176	7/8 - 1 1/4	40	23.5	20.8	62.2	7.1	28	77.8	86.1	TBD	TBD	4500 5000	
FRB 528.xx.6.182.E	200	7/8 - 1 1/4	40	23.5	20.8	63	7.1	28	79.5	87.9	TBD	TBD	4500	
FRB 575.xx.6.182.E	200	1 5/16 - 1 1/4	40	25.6	22.6	61.1	7.1	30.3	77.4	88.4	TBD	TBD	4500 5500	
FRB 670.xx.6.182.E	200	1 - 1 1/2	40	29.9	26.4	61.7	7.1	34.3	80.2	90.2	TBD	TBD	5500	
FRB 528.xx.6.200.E	220	7/8 - 1 1/4	50	23.5	20.8	63	7.9	28	79.5	87.9	TBD	TBD	5500	
FRB 575.xx.6.209.E	230	1 5/16 - 1 1/4	50	25.6	22.6	65.4	7.9	30.3	81.9	91.2	TBD	TBD	6500	

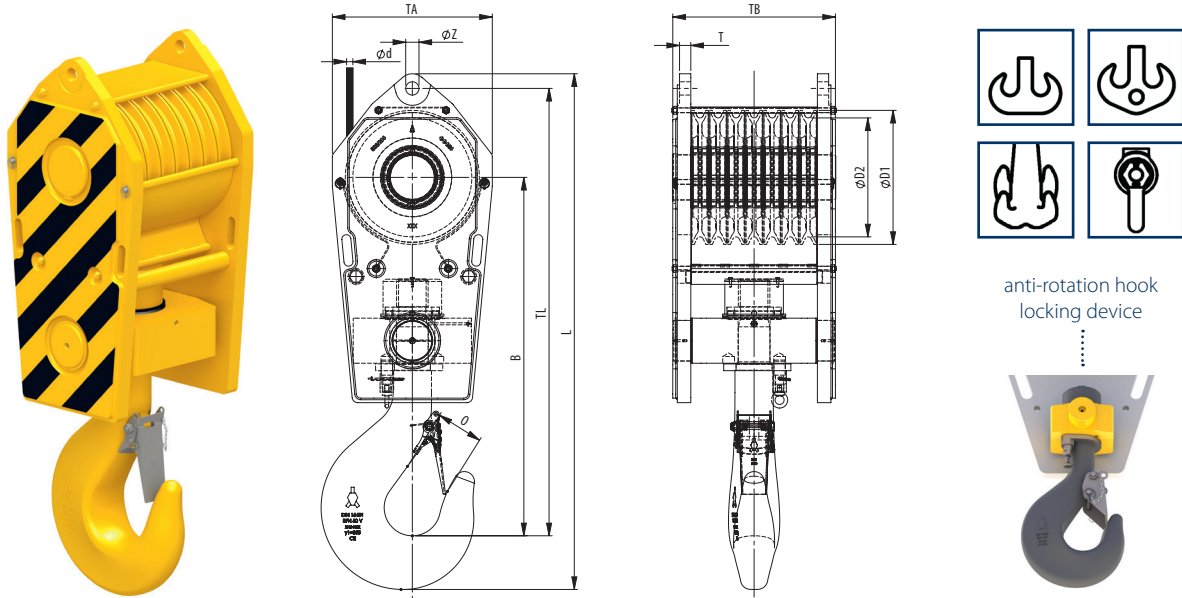
NOTE xx = to be replaced by metric wire size in final part number; TBD = these dimensions vary with wire size
 * = blocks can be fitted with removable / interchangeable cheek weights

Minimum Ultimate Strength = 4 x WLL

- The dimensions in this table are indicative only. A drawing will always be submitted prior to production and will be the leading document when discussing dimensions.
- Blocks shown here are standard models; other wire rope sizes available for each model upon request.
- Refer to wire rope manufacturers D/d ratio guideline.
- Hook locking pin included on all blocks 45UStons and higher.

Fast Reeve Crane Blocks

7 sheaves



Model Nr.	WLL UStons	For wire ød inch	Hook size	Dimensions (inch)										Weight lbs
				øD1	øD2	B	O	TA	TL	L	T	øZ		
FRB 355.xx.7.75.E	82.5	9/16 - 7/8	16	16.1	14	39.2	4.4	18.9	49.8	56.8	TBD	TBD	1600	
FRB 400.xx.7.100.E	110	5/8 - 1	20	18.1	15.7	43.6	4.9	22.4	55.6	63.4	TBD	TBD	2400	
FRB 400.xx.7.118.E	130	5/8 - 1	25	18.1	15.7	48.9	5.5	22.4	60.9	69.4	TBD	TBD	2400	
FRB 400.xx.7.127.D	140	5/8 - 1	32	18.1	15.7	47.8	6.3	22.4	59.8	68.3	TBD	TBD	2850	
FRB 450.xx.7.127.E	140	3/4 - 1 1/8	32	20.3	17.7	54.3	6.3	23.6	67.4	76.9	TBD	TBD	3150	
FRB 450.xx.7.137.E	150	3/4 - 1 1/8	32	20.3	17.7	54.3	6.3	23.6	67.4	76.9	TBD	TBD	3100	
FRB 450.xx.7.160.D	176	3/4 - 1 1/8	40	20.3	17.7	58.2	7.1	23.6	71.4	80.8	TBD	TBD	3930	
FRB 528.xx.7.160.D	176	7/8 - 1 1/4	40	23.4	20.8	58.6	7.1	31.1	73.9	83.5	TBD	TBD	3300 / 4950 / 6600*	
FRB 575.xx.7.171.D	188	1 5/16 - 1 1/4	40	25.6	22.6	56.8	7.1	30.4	72.7	82.6	TBD	TBD	5940	
FRB 528.xx.7.182.E	200	7/8 - 1 1/4	40	23.4	20.8	59.5	7.1	27.9	74.3	85.4	TBD	TBD	6160	
FRB 528.xx.7.200.D	220	7/8 - 1 1/4	50	23.4	20.8	58.8	7.9	27.9	74.3	84.2	TBD	TBD	5280	
FRB 575.xx.7.209.D	230	1 5/16 - 1 1/4	50	25.6	22.6	59.9	7.9	30.3	76.4	87.4	TBD	TBD	6500 7500	
FRB 575.xx.7.209.D	230	1 5/16 - 1 1/4	50	25.6	22.6	59.9	7.9	30.3	76.4	87.5	TBD	TBD	5500 / 7500 / 8500*	
FRB 575.xx.7.209.D	230	1 5/16 - 1 1/4	50	25.6	22.6	59.9	7.9	30.3	76.4	87.5	TBD	TBD	5500 / 7500 / 9500*	
FRB 670.xx.7.209.D	230	1 - 1 1/2	50	29.9	26.4	63.1	7.9	34.3	82.2	93.1	TBD	TBD	6500*	
FRB 670.xx.7.228.D	250	1 - 1 1/2	50	29.9	26.4	63.1	7.9	34.3	82.2	93.1	TBD	TBD	6500 7700*	
FRB 670.xx.7.250.DB	275	1 - 1 1/2	63	29.9	26.4	64.6	8.8	34.3	83.8	99.5	TBD	TBD	10000*	
FRB 528.xx.7.272.D	300	7/8 - 1 1/4	63	23.4	20.8	61.8	8.8	27.9	77.2	88.8	TBD	TBD	6450	

NOTE xx = to be replaced by metric wire size in final part number; TBD = these dimensions vary with wire size
 * = blocks can be fitted with removable / interchangeable cheek weights

Minimum Ultimate Strength = 4 x WLL

- The dimensions in this table are indicative only. A drawing will always be submitted prior to production and will be the leading document when discussing dimensions.
- Blocks shown here are standard models; other wire rope sizes available for each model upon request.
- Refer to wire rope manufacturers D/d ratio guideline.
- Hook locking pin included on all blocks 45UStons and higher.