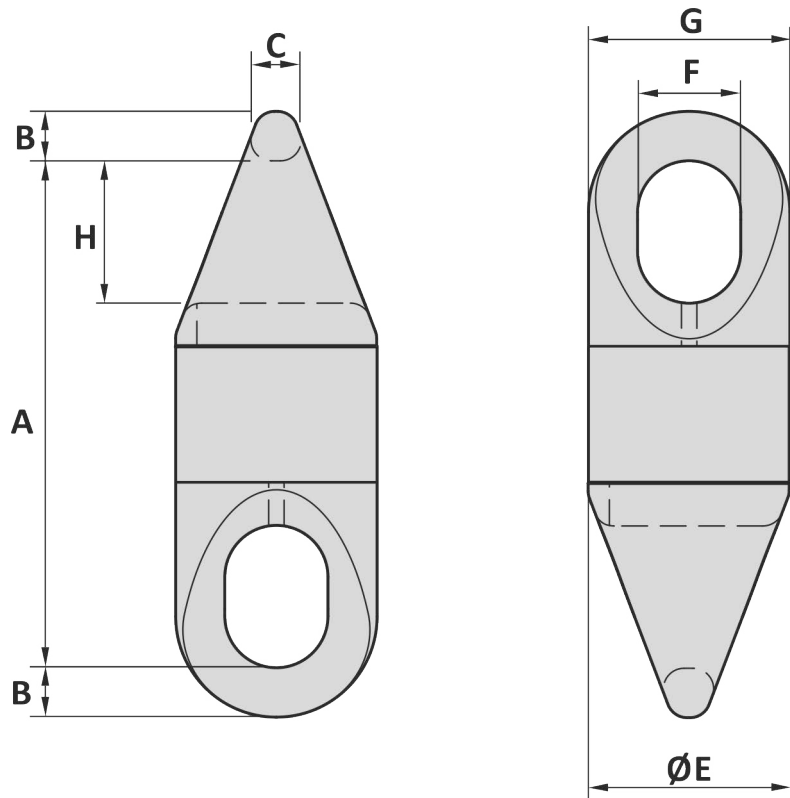


Material : Alloy steel  
 Safety factor : 5 times  
 Finish : Painted  
 Temperature range : -20°C up to +200°C  
 Standard certification : Certificate of Conformity



Art. No.	Size inch	WLL ton	MBL ton	A mm	B mm	C mm	E mm	F mm	G mm	H mm	Weight kg
47020250	2	50	250	610	55	50	200	115	200	165	130
47020300	2 ¼	60	300	700	65	57	225	135	230	195	152
47020400	2 ½	80	400	710	75	65	250	150	270	205	180
47020600	3	120	600	805	85	75	300	175	342	240	295
47020800	3 ½	160	800	945	105	95	330	205	360	285	412
47020900	4	180	900	1065	110	100	360	225	380	320	520

Tolerance: ± 5%

Art. No.	Size inch	WLL ton	MBL ton	A inch	B inch	C inch	E inch	F inch	G inch	H inch	Weight lbs
47020250	2	50	250	24	2 ½ <sub>2</sub>	1 ¾ <sub>2</sub>	7 ⅞	4 ½ <sub>2</sub>	7 ⅞	6 ½	287
47020300	2 ¼	60	300	27 ⅞ <sub>16</sub>	2 ⅞ <sub>16</sub>	2 ¼	8 ⅞	5 ⅞ <sub>16</sub>	9 ⅞ <sub>16</sub>	7 ⅞ <sub>16</sub>	335
47020400	2 ½	80	400	27 ⅞ <sub>16</sub>	2 ⅞ <sub>16</sub>	2 ⅞ <sub>16</sub>	9 ⅞ <sub>2</sub>	5 ⅞ <sub>2</sub>	10 ⅞ <sub>8</sub>	8 ⅞ <sub>16</sub>	397
47020600	3	120	600	31 ⅞ <sub>16</sub>	3 ⅞ <sub>2</sub>	2 ⅞ <sub>16</sub>	11 ⅞ <sub>16</sub>	6 ⅞	13 ⅞ <sub>2</sub>	9 ⅞ <sub>16</sub>	650
47020800	3 ½	160	800	37 ⅞ <sub>16</sub>	4 ⅞	3 ¾	12	8 ⅞ <sub>16</sub>	14 ⅞ <sub>16</sub>	11 ⅞ <sub>2</sub>	908
47020900	4	180	900	41 ⅞ <sub>16</sub>	4 ⅞	3 ⅞ <sub>16</sub>	14 ⅞ <sub>16</sub>	8 ⅞	14 ⅞ <sub>2</sub>	12 ⅞ <sub>2</sub>	1146

Tolerance: ± 5%

26-06-2015