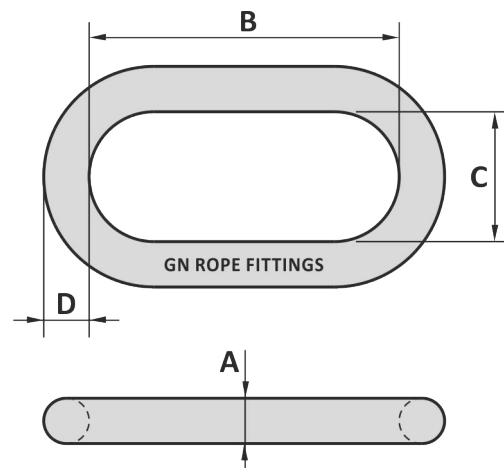


Material : Alloy steel
 Safety factor : ≤ 12914000 - 400 ton: 5 times
 > 12916000 - 400 ton: 4 times
 Standards : Generally according to EN 1677-4
 Finish : Painted
 Temperature range : ≤ 12914000 - 400 ton, -20°C up to +200°C
 > 12916000 - 400 ton, -40°C up to +200°C, Polar Rated
 Standard certification : Certificate of Conformity
 3.1 material certificate EN 10204

Non-standard sizes or custom products available on request



Art. No.	WLL ton	MBL ton	A mm	B mm	C mm	D mm	Weight kg
12220000	5	25	22	160	90	22	1.5
12260000	8	40	26	180	100	26	2.3
12320000	10	50	32	200	110	32	3.9
12360000	16	80	36	260	140	36	6.3
12450000	26	130	45	340	180	45	13
12510000	36	180	51	350	190	51	17
12570000	47	235	57	400	200	57	24
12630000	58	290	63	430	220	63	32
12720000	84	420	72	460	250	72	45
12800000	105	525	80	450	250	80	56
12900000	131	655	90	460	300	90	77
12910000	157	785	100	500	300	100	101
12912500	250	1250	115	600	400	115	163
12912510	300	1500	115	600	300	115	154
12913500	400	2000	115	700	250	115	166
12914000	400	2000	115	490	250	115	132
12916000	400	1600	155	800	400	205	480
12917000	500	2000	175	800	400	220	603
12918000	600	2400	195	800	400	230	732
12918100	700	2800	200	850	400	235	795
12918200	800	3200	210	850	400	245	881
12918300	900	3600	230	900	400	270	1119
12918400	1000	4000	240	900	400	280	1226
12918500	1250	5000	260	1000	400	310	1579
12918600	1500	6000	270	1000	400	320	1712

Tolerance: Forged parts ± 5%

14-06-2016