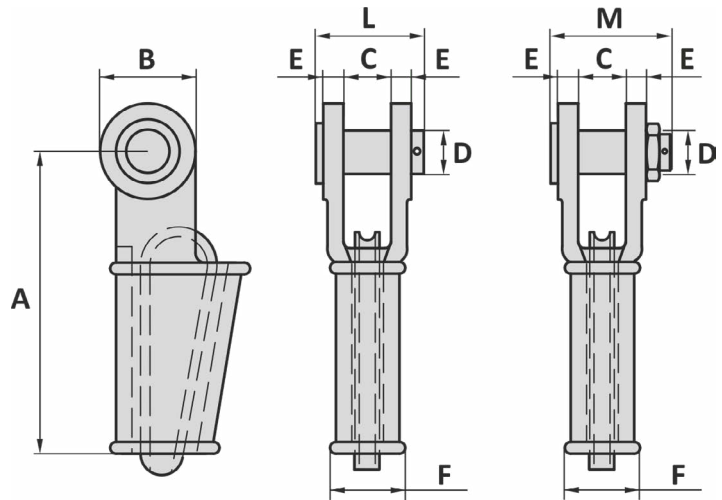


Material : Cast steel  
 Safety factor : 5 times  
 Standards : Generally according to US Federal Spec RR-5-550D, type B  
 Finish : Painted/Galvanized  
           ≤ Type No. 5 standard galvanized  
 Temperature range : -40°C up to +200°C, Polar Rated  
 Standard certification : Certificate of Conformity  
                               3.1 material certificate EN 10204



~ specification: 1 = Painted, 9 = Galvanized

Art. No.	Art. No.	Type	Wire dia	Wire dia	WLL	MBL	A	B	C	D	E	F	L	M	Packing	Weight
Standard	Safety pin	No.	mm	inch	ton	ton	mm	mm	mm	mm	mm	mm	mm	mm	pcs	kg
47000009	47900009	0.5	9 - 10	3/8	2	10	146	47	21	20	11	26	69	80	10	1.7
47000019	47900019	1	11 - 13	1/2	3.2	16	146	57	26	20	12	32	78	84	10	2.3
47000029	47900029	2	14 - 16	5/8	5	25	176	70	32	30	14	44	92	101	4	3.9
47000039	47900039	3	17 - 19	3/4	6.4	32	212	80	38	35	16	44	101	110	4	6.1
47000049	47900049	4	20 - 22	7/8	9	45	240	96	44	41	19	52	113	126	2	9.3
47000059	47900059	5	23 - 26	1	14	70	274	114	51	50	22	58	130	148	2	15
4700006~	4790006~	6	27 - 29	1 1/8	20	100	310	130	57	57	25	66	144	160	2	21
4700007~	4790007~	7	30 - 33	1 1/4	22	110	350	146	63	63	28	79	161	184	2	33
4700008~	4790008~	8	34 - 36	1 3/8	25	125	400	148	69	63	28	79	161	184		39
4700009~	4790009~	9	37 - 40	1 1/2	30	150	450	160	76	70	30	93	178	198		53
4700010~	4790010~	10	41 - 43	1 5/8	40	200	500	174	76	76	33	95	184	204		68
4700011~	4790011~	11	44 - 48	1 3/4 - 1 7/8	52	260	550	200	89	89	39	111	218	245		98
4700012~	4790012~	12	49 - 53	2	56	280	650	200	101	95	46	140	244	271		123
4700013~	4790013~	13	54 - 59	2 1/4	72	360	660	250	113	108	53	136	270	301		178
4700014~	4790014~	14	60 - 68	2 1/2	90	450	840	270	127	121	60	161	303	335		281
4700015~	4790015~	15	72 - 76	3	104	520	1000	300	146	133	76	186	354	386		469
4700016~	4790016~	16	81 - 86	3 1/4 - 3 3/8	125	625	1100	300	159	140	79	215	373	415		630

Tolerance: ± 5%, machined parts ± 1 mm

Art. No.	Art. No.	Type	Wire dia	Wire dia	WLL	MBL	A	B	C	D	E	F	L	M	Packing	Weight
Standard	Safety pin	No.	mm	inch	ton	ton	inch	inch	inch	inch	inch	inch	inch	inch	pcs	lbs
47000009	47900009	0.5	9 - 10	3/8	2	10	5 3/4	1 27/32	13/16	25/32	7/16	1 1/32	2 23/32	3 5/32	10	3.7
47000019	47900019	1	11 - 13	1/2	3.2	16	5 3/4	2 3/4	1 1/32	25/32	15/32	1 1/4	3 1/16	3 5/16	10	5.1
47000029	47900029	2	14 - 16	5/8	5	25	6 15/16	2 3/4	1 1/4	1 3/16	9/16	1 3/4	3 5/8	3 31/32	4	8.6
47000039	47900039	3	17 - 19	3/4	6.4	32	8 11/32	3 5/32	1 1/2	1 3/8	5/8	1 3/4	3 31/32	4 5/16	4	13
47000049	47900049	4	20 - 22	7/8	9	45	9 7/16	3 25/32	1 3/4	1 5/8	3/4	2 1/16	4 7/16	4 31/32	2	21
47000059	47900059	5	23 - 26	1	14	70	10 25/32	4 1/2	2	1 31/32	7/8	2 9/32	5 1/8	5 11/16	2	33
4700006~	4790006~	6	27 - 29	1 1/8	20	100	12 3/16	5 1/8	2 1/4	2 1/4	1	2 19/32	5 11/16	6 3/16	2	46
4700007~	4790007~	7	30 - 33	1 1/4	22	110	13 25/32	5 3/4	2 15/32	2 15/32	1 3/32	3 7/8	6 11/32	7 1/4	2	73
4700008~	4790008~	8	34 - 36	1 3/8	25	125	15 3/4	5 13/16	2 23/32	2 15/32	1 3/32	3 7/8	6 11/32	7 1/4		86
4700009~	4790009~	9	37 - 40	1 1/2	30	150	17 23/32	6 5/16	3	2 3/4	1 3/16	3 21/32	7	7 13/16		117
4700010~	4790010~	10	41 - 43	1 5/8	40	200	19 11/16	6 27/32	3	3	1 5/16	3 3/4	7 1/4	8 1/32		150
4700011~	4790011~	11	44 - 48	1 3/4 - 1 7/8	52	260	21 21/32	7 7/8	3 1/2	3 1/2	1 17/32	4 3/8	8 19/32	9 21/32		216
4700012~	4790012~	12	49 - 53	2	56	280	25 19/32	7 7/8	3 31/32	3 3/4	1 13/16	5 1/2	9 5/8	10 11/16		271
4700013~	4790013~	13	54 - 59	2 1/4	72	360	26	9 27/32	4 7/16	4 1/4	2 3/32	5 11/32	10 3/8	11 27/32		392
4700014~	4790014~	14	60 - 68	2 1/2	90	450	33 1/16	10 5/8	5	4 3/4	2 3/8	6 11/32	11 15/16	13 3/16		619
4700015~	4790015~	15	72 - 76	3	104	520	39 3/8	11 13/16	5 3/4	5 1/4	3	7 5/16	13 15/16	15 3/16		1034
4700016~	4790016~	16	81 - 86	3 1/4 - 3 3/8	125	625	43 3/16	11 13/16	6 1/4	5 1/2	3 3/8	8 15/32	14 11/16	16 11/32		1389

Tolerance: ± 5%, machined parts ± 1/32 inch

08-12-2017