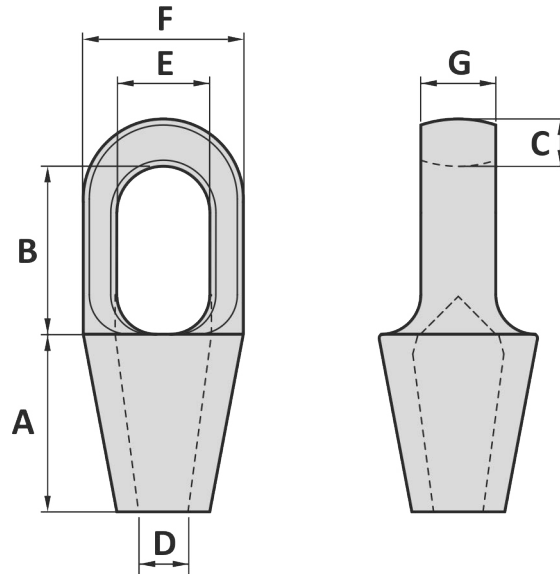


Material : Cast steel
 Safety factor : 5 times
 Standards : Generally according to US Federal Spec RR-5-550D, type C
 Finish : Painted/Galvanized
 ≤ Type No. 215 standard galvanized
 Temperature range : -40°F up to +392°F, Polar Rated
 Standard certification : Certificate of Conformity
 3.1 material certificate EN 10204

These sockets included our non-rotating system (NRS-system) which prevents the tamp for turning or slipping out of the cone and guarantee a high performance connection.



~ specification: 1 = Painted, 9 = Galvanized

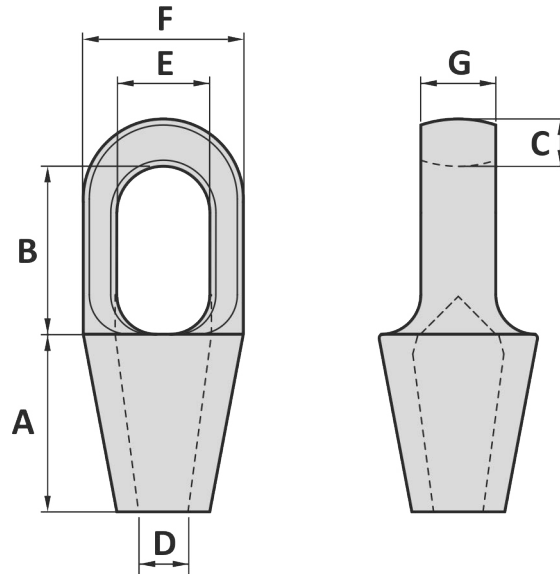
Art. No.	Type No.	Wire dia mm	Wire dia inch	WLL ton	MBL ton	A inch	B inch	C inch	D inch	E inch	F inch	G inch	Packing pcs	Weight lbs
47008079	290	6 - 7	¼	1.6	8	2 ⅛	1 ⅜	⅞	⅝	2 ⅝	1 ⅞	½	10	0.6
47008109	292	8 - 10	⅜	2.4	12	2 ⅝	2 ⅜	⅞	⅞	1 ⅞	1 ⅞	⅝	10	0.97
47008139	294	11 - 13	½	4	20	2 ½	2 ⅝	2 ⅜	⅞	1 ⅞	2	⅞	10	1.6
47008169	296	14 - 16	⅝	6	30	3 ⅜	2 ⅞	1 ⅞	2 ⅜	1 ⅞	2 ⅝	1	10	3.1
47008199	298	18 - 19	¾	8	40	3 ⅞	2 ⅞	1 ⅞	1 ⅞	1 2 ⅜	2 ⅞	1 ⅞	10	4.6
4700201~	201	20 - 22	⅞	12	60	3 ⅞	3 ⅞	1 ⅞	1 ⅞	1 2 ⅜	3 ⅞	1 ½	4	8.8
4700204~	204	23 - 26	1	15	75	4 ½	4 ⅞	1 ⅞	1 ⅞	2 ¼	4 ⅞	1 2 ⅜	4	13
4700207~	207	27 - 30	1 ⅞	20	100	5	4 ⅞	1 ⅞	1 ¼	2 1 ⅜	4 ½	2	4	17
4700212~	212	31 - 36	1 ¼ - 1 ⅜	25	125	5 1 ⅜	5 ⅞	1 ¾	1 ½	2 ¾	5 ½	2 ⅞	2	24
4700215~	215	37 - 39	1 ½	30	150	6	6 ⅜	2	1 ⅞	3 ⅞	5 ⅞	2 ½	2	31
4700217~	217	40 - 42	1 ⅞	36	180	6 ½	6 ¾	2 ⅞	1 ¾	3 ⅞	5 ¾	2 ¾	2	40
4700219~	219	43 - 48	1 ¾ - 1 ⅞	46	230	7 1 ⅜	7 1 ⅞	2 ⅞	2	3 ½	6 ¾	3 1 ⅜		62
4700222~	222	49 - 54	2 - 2 ⅞	56	280	8 ½	8 1 ⅞	2 ⅞	2 ¼	3 ⅞	7 ⅞	3 ⅞		88
4700224~	224	55 - 60	2 ¼ - 2 ⅞	75	375	8 ⅞	9 2 ⅜	2 ⅞	2 ⅞	4 ⅞	8 ½	3 1 ⅞		115
4700226~	226	61 - 68	2 ½ - 2 ⅞	85	425	9 ¾	10 ⅞	3 ⅞	2 ⅞	5 ½	9 ½	4		139
4700227~	227	69 - 75	2 ¾ - 2 ⅞	100	500	11	11 ¼	3 ⅞	3 ⅞	6 ¼	10 ¾	4 ⅞		196
4700228~	228	76 - 80	3 - 3 ⅞	120	600	12	11 ¾	3 ¾	3 ⅞	6 ¾	11 ½	5 ¼		245
4700229~	229	81 - 86	3 ¼ - 3 ⅞	140	700	13	12 ¼	4	3 ⅞	7 ¼	12 ¼	5 ¾		315
4700230~	230	87 - 93	3 ½ - 3 ⅞	150	750	14	13	4	3 2 ⅜	7 ¾	13	6 ¼		366
4700231~	231	94 - 102	3 ¾ - 4	190	950	15	14	4 ¼	4 ¼	8 ½	14 ¼	7		478
4700233~	233	108 - 115	4 ½	240	1200	18 ⅞	16 ¾	4 2 ⅜	4 1 ⅞	9 ¼	15 1 ⅞	7 1 ⅜		745
4700240~	240	122 - 130	5	280	1400	19 1 ⅞	18 1 ⅞	5 ½	5 ⅞	10 ⅞	20 ⅞	8 ¼		1276
4700250~	250	140 - 155	5 ½ - 6	400	2000	22 2 ⅜	21 2 ⅜	5 2 ⅜	6 ⅞	11 1 ⅞	20 1 ⅞	9 2 ⅜		1442
4700260~	260	158 - 167	6 ½	500	2500	26 ⅞	23 ⅞	6 ⅞	6 ⅞	12 1 ⅞	23 ⅞	11 1 ⅞		2344

Tolerance: ± 5%, machined parts ± ⅞ inch

08-12-2017

Material : Cast steel
 Safety factor : 5 times
 Standards : Generally according to US Federal Spec RR-5-550D, type C
 Finish : Painted/Galvanized
 ≤ Type No. 215 standard galvanized
 Temperature range : -40°C up to +200°C, Polar Rated
 Standard certification : Certificate of Conformity
 3.1 material certificate EN 10204

These sockets included our non-rotating system (NRS-system) which prevents the tamp for turning or slipping out of the cone and guarantee a high performance connection.



~ specification: 1 = Painted, 9 = Galvanized

Art. No.	Type No.	Wire dia mm	Wire dia inch	WLL ton	MBL ton	A mm	B mm	C mm	D mm	E mm	F mm	G mm	Packing pcs	Weight kg
47008079	290	6 - 7	¼	1.6	8	52	46	11	8	20	37	13	10	0.27
47008109	292	8 - 10	⅜	2.4	12	58	53	14	11	24	43	16	10	0.44
47008139	294	11 - 13	½	4	20	64	59	18	14	29	51	22	10	0.74
47008169	296	14 - 16	⅝	6	30	77	65	21	18	35	67	25	10	1.4
47008199	298	18 - 19	¾	8	40	90	75	26	21	42	75	31	10	2.1
4700201~	201	20 - 22	⅞	12	60	101	90	33	24	47	92	38	4	4
4700204~	204	23 - 26	1	15	75	114	103	36	28	57	106	45	4	5.9
4700207~	207	27 - 30	1 ⅛	20	100	127	116	39	32	63	114	51	4	7.7
4700212~	212	31 - 36	1 ¼ - 1 ⅜	25	125	139	130	44	38	70	128	58	2	11
4700215~	215	37 - 39	1 ½	30	150	152	155	51	41	79	137	64	2	14
4700217~	217	40 - 42	1 ⅝	36	180	165	171	54	44	82	146	70		18
4700219~	219	43 - 48	1 ¾ - 1 ⅞	46	230	190	198	55	51	89	171	77		28
4700222~	222	49 - 54	2 - 2 ⅛	56	280	216	224	62	57	98	194	84		40
4700224~	224	55 - 60	2 ¼ - 2 ⅝	75	375	228	247	73	65	110	216	94		52
4700226~	226	61 - 68	2 ½ - 2 ⅞	85	425	248	270	80	73	140	241	102		63
4700227~	227	69 - 75	2 ¾ - 2 ⅞	100	500	279	286	79	79	159	273	124		89
4700228~	228	76 - 80	3 - 3 ⅛	120	600	305	298	83	86	171	292	133		111
4700229~	229	81 - 86	3 ¼ - 3 ⅝	140	700	330	311	102	92	184	311	146		143
4700230~	230	87 - 93	3 ½ - 3 ⅞	150	750	356	330	102	99	197	330	159		166
4700231~	231	94 - 102	3 ¾ - 4	190	950	381	356	108	108	216	362	178		217
4700233~	233	108 - 115	4 ½	240	1200	460	425	120	125	235	405	190		338
4700240~	240	122 - 130	5	280	1400	500	475	140	138	270	515	210		579
4700250~	250	140 - 155	5 ½ - 6	400	2000	580	550	150	160	300	510	250		654
4700260~	260	158 - 167	6 ½	500	2500	675	600	175	175	325	600	300		1063

Tolerance: ± 5%, machined parts ± 1 mm

08-12-2017