

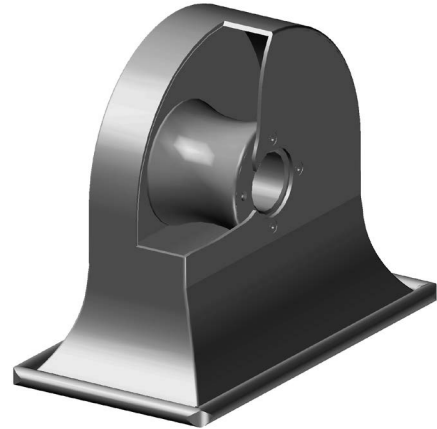
Material : Mild steel  
 Stainless steel  
 (Spools can be supplied in galvanized or stainless steel)

Finish : Galvanized (mild steel)  
 Self colored (stainless steel)

Temperature range : -20°C up to +200°C

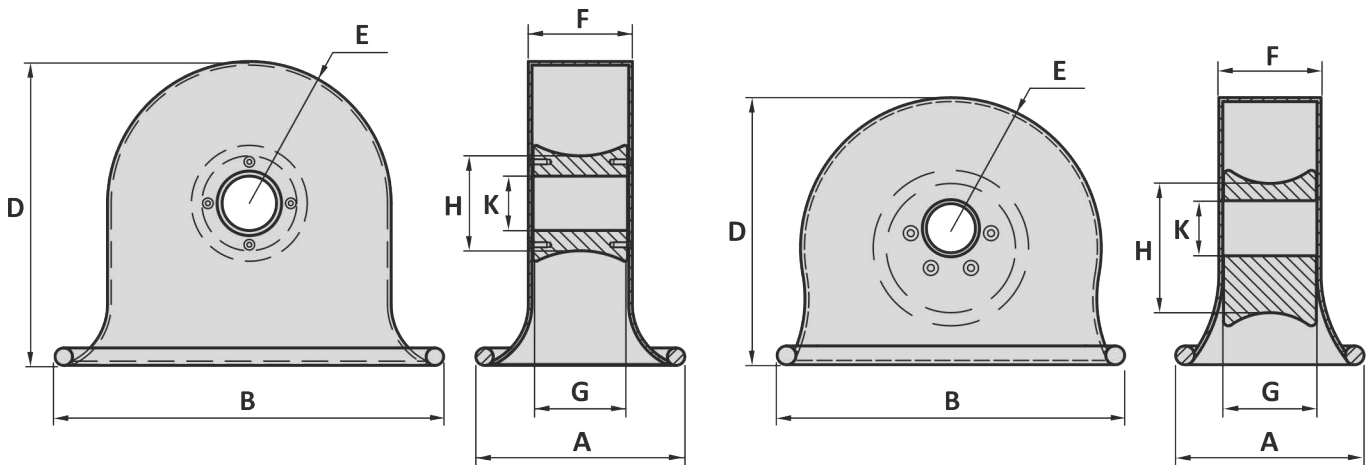
Standard certification : Certificate of Conformity

Suitable for fibre rope  
 For connecting to a special shackle we can change dimension K on request



Standard type

Shell type



Art. No. galv.	Art. No. st. steel	Rope size inch	A mm	B mm	D mm	E mm	F mm	K mm	H mm	G mm	Weight kg
18012009	18012005	10 - 12	400	640	480	195	166	86	175	147	75
18015009	18015005	15 - 16	440	746	608	248	193	105	196	172	110
18018009	18018005	18 - 21	454	844	660	300	228	118	204	205	135
18022009	18022005	22 - 24	450	1000	758	400	266	148	290	245	236
<b>Special shell type</b>											
18512009		10 - 12	380	560	515	240	206	111	195	187	93
18515009		15 - 16	380	700	538	303	206	111	260	187	141
18518009		18 - 21	454	844	668	358	226	131	320	207	169

Tolerance: ± 5%, machined parts ± 1 mm

Art. No. galv.	Art. No. st. steel	Rope size inch	A inch	B inch	D inch	E inch	F inch	K inch	H inch	G inch	Weight lbs
18012009	18012005	10 - 12	15 3/4	25 3/16	18 29/32	7 1/16	6 1/32	3 3/8	6 7/8	5 25/32	165
18015009	18015005	15 - 16	17 5/16	29 3/8	23 15/16	9 3/4	7 19/32	4 1/8	7 23/32	6 25/32	243
18018009	18018005	18 - 21	17 7/8	33 7/32	26	11 13/16	8 31/32	4 21/32	8 1/32	8 1/16	298
18022009	18022005	22 - 24	17 23/32	39 3/8	29 27/32	15 3/4	10 15/32	5 13/16	11 13/32	9 21/32	520
<b>Special shell type</b>											
18512009		10 - 12	14 31/32	22 1/16	20 9/32	9 1/16	8 3/8	4 3/8	7 11/16	7 3/8	205
18515009		15 - 16	14 31/32	27 1/16	21 3/16	11 15/16	8 3/8	4 3/8	10 1/4	7 3/8	311
18518009		18 - 21	17 7/8	33 7/32	26 5/16	14 3/32	8 29/32	5 5/32	12 19/32	8 5/32	373

Tolerance: ± 5%, machined parts ± 1/32 inch

08-06-2015