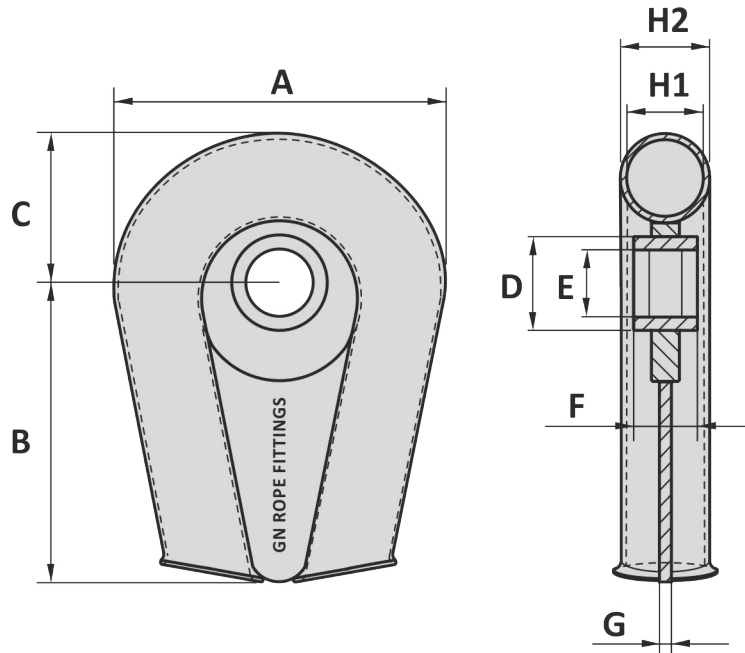


Material : Mild steel
 Finish : Galvanized
 Temperature range : -20°C up to +200°C
 Standard certification : Certificate of Conformity

Suitable for fibre rope
 Dimension E limited adjustable



| Art. No. | Rope size inch | A mm | B mm | C mm | D mm | E mm | F mm | G mm | H1 mm | H2 mm | Weight kg |
|----------|-------------------|---------|---------|---------|---------|---------|---------|---------|----------|----------|--------------|
| 18000600 | 6 | 254 | 200 | 126 | - | 60 | - | 30 | 64 | 70 | 7.8 |
| 18000800 | 8 | 318 | 250 | 158 | - | 80 | - | 40 | 82 | 89 | 15 |
| 18001001 | 10 | 419 | 360 | 210 | 190 | 132 | 105 | 15 | 107 | 114 | 28 |
| 18001200 | 12 | 521 | 416 | 250 | 194 | 144 | 130 | 20 | 132 | 140 | 46 |
| 18001500 | 15 | 625 | 539 | 282 | 194 | 144 | 150 | 25 | 159 | 168 | 74 |
| 18001800 | 18 | 734 | 640 | 336 | 219 | 169 | 175 | 30 | 183 | 194 | 126 |
| 18002100 | 21 | 829 | 780 | 374 | 219 | 169 | 200 | 30 | 207 | 219 | 176 |
| 18002400 | 24 | 924 | 915 | 421 | 273 | 201 | 225 | 40 | 232 | 245 | 272 |
| 18002700 | 27 | 1035 | 1060 | 477 | 273 | 201 | 250 | 50 | 260 | 273 | 400 |

Tolerance: ± 5%

| Art. No. | Rope size inch | A inch | B inch | C inch | D inch | E inch | F inch | G inch | H1 inch | H2 inch | Weight lbs |
|----------|-------------------|-----------|-----------|-----------|-----------|-----------|-----------|-----------|------------|------------|---------------|
| 18000600 | 6 | 10 | 7 7/8 | 4 3/32 | - | 2 3/8 | - | 1 3/16 | 2 1/2 | 2 3/4 | 17 |
| 18000800 | 8 | 12 1/2 | 9 27/32 | 6 7/32 | - | 3 5/32 | - | 1 9/16 | 3 3/32 | 3 1/2 | 33 |
| 18001001 | 10 | 16 1/2 | 14 3/16 | 8 1/4 | 7 15/32 | 5 3/16 | 4 1/8 | 19/32 | 4 7/32 | 4 1/2 | 62 |
| 18001200 | 12 | 20 1/2 | 16 3/8 | 9 23/32 | 7 5/8 | 5 11/16 | 5 1/8 | 25/32 | 5 3/16 | 5 1/2 | 101 |
| 18001500 | 15 | 24 3/8 | 21 3/32 | 11 3/32 | 7 5/8 | 5 11/16 | 5 29/32 | 1 | 6 1/4 | 6 5/8 | 163 |
| 18001800 | 18 | 28 29/32 | 25 3/16 | 13 7/32 | 8 5/8 | 6 21/32 | 6 3/8 | 1 3/16 | 7 3/16 | 7 5/8 | 278 |
| 18002100 | 21 | 32 5/8 | 30 23/32 | 14 23/32 | 8 5/8 | 6 21/32 | 7 7/8 | 1 3/16 | 8 5/32 | 8 3/8 | 388 |
| 18002400 | 24 | 36 3/8 | 36 1/32 | 16 1/16 | 10 3/4 | 7 29/32 | 8 3/8 | 1 1/16 | 9 1/8 | 9 23/32 | 600 |
| 18002700 | 27 | 40 3/4 | 41 1/4 | 18 25/32 | 10 3/4 | 7 29/32 | 9 23/32 | 1 31/32 | 10 1/4 | 10 3/4 | 882 |

Tolerance: ± 5%

01-07-2011