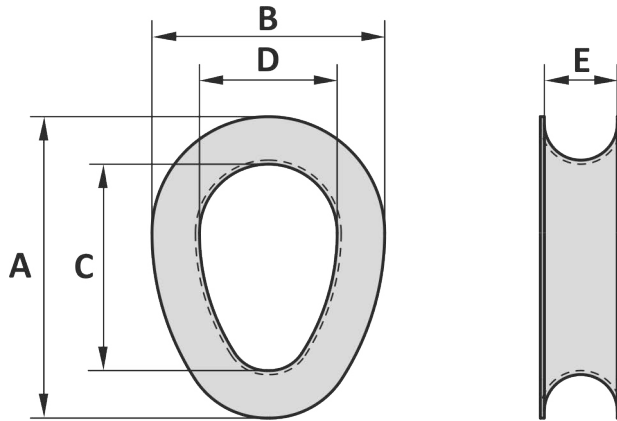


Material : Mild steel
 Finish : Self colored/Galvanized
 Temperature range : -20°C up to +200°C
 Standard certification : Certificate of Conformity

Suitable for wire or fibre rope

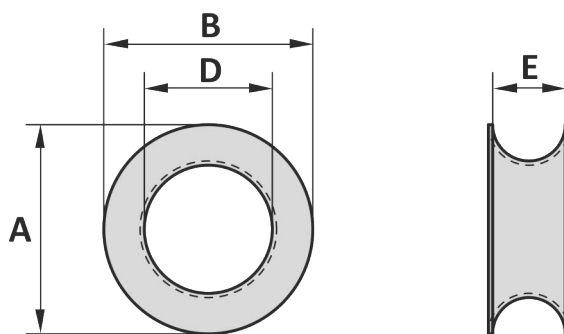


Art. No.	A inch	B mm	C mm	D mm	E mm	Finish	Packing	Weight kg/100
13800000	4	93	72	54	18	Self colored	25	45
13900000	4	93	72	54	18	Galvanized	25	45

Tolerance: Forged parts ± 5%

Art. No.	A inch	B inch	C inch	D inch	E inch	Finish	Packing	Weight lbs/100
13800000	4	3 21/32	2 27/32	2 1/8	23/32	Self colored	25	99
13900000	4	3 21/32	2 27/32	2 1/8	23/32	Galvanized	25	99

Tolerance: Forged parts ± 5%



Art. No.	A inch	B mm	D mm	E mm	Finish	Packing	Weight kg/100
13880000	3 1/4	81	50	18	Self colored	25	45
13980000	3 1/4	81	50	18	Galvanized	25	45

Tolerance: Forged parts ± 5%

Art. No.	A inch	B inch	D inch	E inch	Finish	Packing	Weight lbs/100
13880000	3 1/4	3 3/16	1 31/32	23/32	Self colored	25	99
13980000	3 1/4	4 15/16	1 31/32	23/32	Galvanized	25	99

Tolerance: Forged parts ± 5%