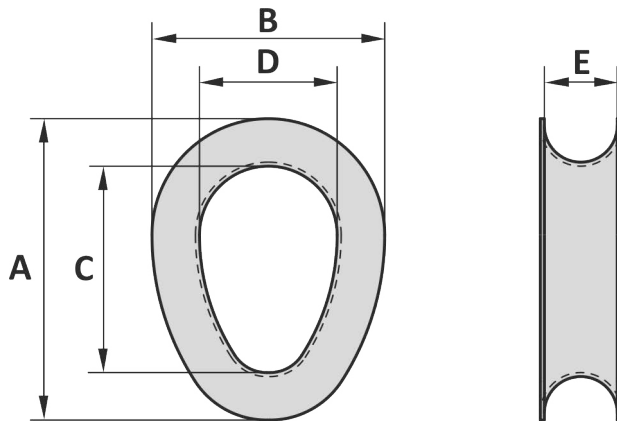


Material : Mild steel  
 Finish : Galvanized  
 Temperature range : -20°C up to +200°C  
 Standard certification : Certificate of Conformity

Suitable for wire or fibre rope

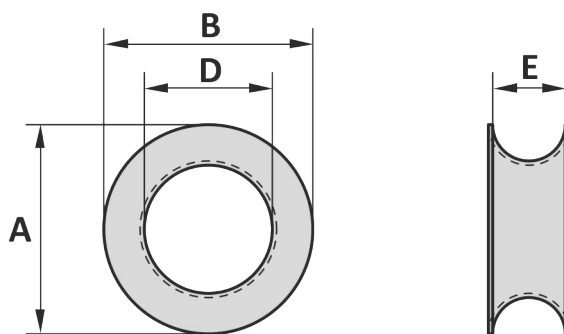


Art. No.	A inch	B mm	C mm	D mm	E mm	Packing	Weight kg/100
13030000	3	61	47	34	18	25	18
13035000	3 ½	70	60	39	21	25	28
13040000	4	93	72	54	24	25	45
13045000	4 ½	97	80	55	27	25	55
13050000	5	100	90	60	30	25	60
13060000	6	115	102	68	36	10	73
13080000	8	160	140	100	38	10	160

Tolerance: Forged parts ± 5%

Art. No.	A inch	B inch	C inch	D inch	E inch	Packing	Weight lbs/100
13030000	3	2 13/32	1 27/32	1 11/32	23/32	25	40
13035000	3 ½	2 3/4	2 3/8	1 17/32	13/16	25	62
13040000	4	3 21/32	2 27/32	2 1/8	15/16	25	99
13045000	4 ½	3 13/16	3 5/32	2 5/32	1 1/16	25	121
13050000	5	3 15/16	3 9/16	2 3/8	1 3/16	25	132
13060000	6	4 17/32	4	2 11/16	1 13/32	10	161
13080000	8	6 3/16	5 1/2	3 15/16	1 1/2	10	353

Tolerance: Forged parts ± 5%



Art. No.	A inch	B mm	D mm	E mm	Packing	Weight kg/100
13102500	2 ½	68	41	21	25	21
13103000	3	72	48	26	25	28
13103500	3 ½	98	60	34	25	32

Tolerance: Forged parts ± 5%

Art. No.	A inch	B inch	D inch	E inch	Packing	Weight lbs/100
13102500	2 ½	2 11/16	1 5/8	13/16	25	46
13103000	3	2 27/32	1 7/8	1 1/32	25	62
13103500	3 ½	3 7/8	2 3/8	1 11/32	25	71

Tolerance: Forged parts ± 5%