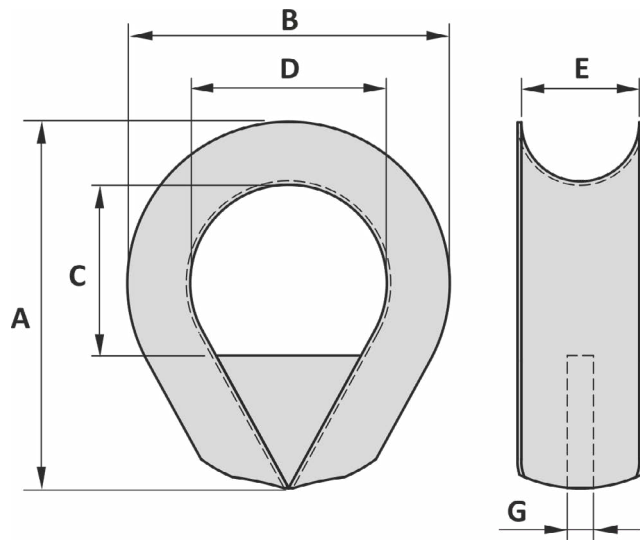
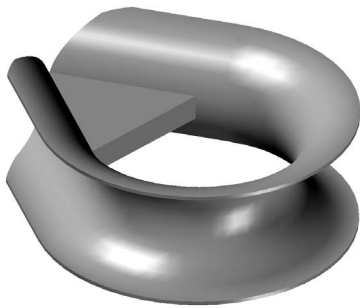


Material : Mild steel
 Finish : Galvanized
 Temperature range : -20°C up to +200°C
 Standard certification : Certificate of Conformity

Suitable for fibre rope
 Non-standard sizes or custom products available on request



Art. No.	A inch	B mm	C mm	D mm	E mm	G mm	Packing	Weight kg/100
12059999	5	110	50	65	40	10	10	80
12069999	6	120	65	75	48	10	10	130
12079999	7	140	90	85	56	10	10	190
12089999	8	160	95	105	64	10		340
12099999	9	180	100	110	72	10		580
12109999	10	200	115	120	80	10		690
12119999	11	220	135	145	88	15		850
12129999	12	245	135	150	102	15		1350
12149999	14	300	135	170	115	15		1950
12169999	16	320	150	185	130	20		2650
12189999	18	350	200	205	150	20		3450

Tolerance: Forged parts ± 5%

Art. No.	A inch	B inch	C inch	D inch	E inch	G inch	Packing	Weight lbs/100
12059999	5	4 5/16	1 3/32	2 1/16	1 1/16	3/8	10	176
12069999	6	4 23/32	2 1/16	2 15/16	1 1/8	3/8	10	287
12079999	7	5 1/2	3 9/16	3 11/32	2 3/16	3/8	10	419
12089999	8	6 5/16	3 3/4	4 1/8	2 1/2	3/8		750
12099999	9	7 3/32	3 15/16	4 5/16	2 27/32	3/8		1279
12109999	10	7 7/8	4 17/32	4 23/32	3 5/32	3/8		1521
12119999	11	8 23/32	5 5/16	5 23/32	3 15/32	19/32		1874
12129999	12	9 23/32	5 5/16	5 29/32	4	19/32		2976
12149999	14	11 13/16	5 5/16	6 11/16	4 17/32	19/32		4299
12169999	16	12 13/32	5 29/32	7 9/32	5 1/8	25/32		5842
12189999	18	13 25/32	7 1/8	8 1/16	5 29/32	25/32		7606

Tolerance: Forged parts ± 5%

19-08-2013