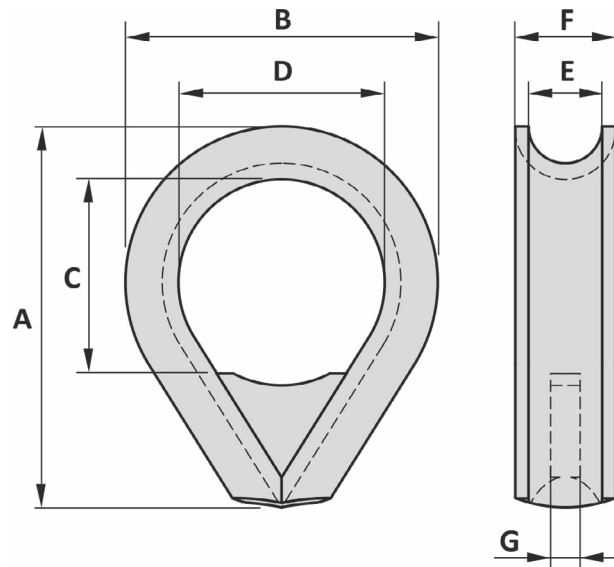


Material : Mild steel
 Finish : Galvanized
 Temperature range : -20°C up to +200°C
 Standard certification : Certificate of Conformity

Suitable for wire rope
 Non-standard sizes or custom products available on request



Art. No.	A inch	B mm	C mm	D mm	E mm	F mm	G mm	Packing	Weight kg/100
11040999	4	75	50	50	17	22	6	10	40
11045999	4 ½	85	50	53	19	25	6	10	50
11050999	5	100	60	60	21	29	8	10	80
11055999	5 ½	110	60	65	23	33	8	10	90
11069999	6	115	70	70	25	34	8	10	100
11079999	7	135	75	80	30	38	10	10	170
11089999	8	155	80	100	33	44	10		250
11099999	9	175	110	115	38	49	10		400
11109999	10	190	120	120	41	52	15		450
11119999	11	210	120	130	46	60	15		700
11129999	12	245	140	145	52	65	15		830
11149999	14	260	155	155	60	72	20		1250
11179999	17	310	200	190	70	84	20		1800
11199999	19	350	235	230	81	119	20		3050
11229999	22	395	240	255	92	130	20		4050
11249999	24	430	275	280	105	145	25		4950
11269999	26	450	295	285	120	155	30		5400

Tolerance: Forged parts ± 5%

Art. No.	A inch	B inch	C inch	D inch	E inch	F inch	G inch	Packing	Weight lbs/100
11040999	4	2 15/16	1 31/32	1 31/32	11/16	7/8	1/4	10	88
11045999	4 ½	3 11/32	1 31/32	2 3/32	3/4	1	1/4	10	110
11050999	5	3 15/16	2 3/8	2 3/8	13/16	1 1/8	5/16	10	176
11055999	5 ½	4 5/16	2 3/8	2 9/16	29/32	1 5/16	5/16	10	198
11069999	6	4 17/32	2 3/4	2 3/4	1	1 11/32	5/16	10	220
11079999	7	5 5/16	2 15/16	3 3/32	1 3/16	1 1/2	3/8	10	375
11089999	8	6 3/32	3 3/32	3 15/16	1 7/16	1 3/4	3/8		551
11099999	9	6 7/8	4 1/16	4 17/32	1 1/2	1 15/16	3/8		882
11109999	10	7 15/32	4 23/32	4 23/32	1 5/8	2 1/16	19/32		992
11119999	11	8 1/4	4 23/32	5 1/8	1 13/16	2 3/8	19/32		1543
11129999	12	9 21/32	5 1/2	5 23/32	2 1/16	2 9/16	19/32		1830
11149999	14	10 1/4	6 3/32	6 3/32	2 3/8	2 27/32	25/32		2756
11179999	17	12 3/16	7 7/8	7 15/32	2 3/4	3 5/16	25/32		3968
11199999	19	13 25/32	9 1/4	9 1/16	3 3/16	4 11/16	25/32		6724
11229999	22	15 9/16	9 7/16	10 1/32	3 3/8	5 1/8	25/32		8929
11249999	24	16 15/16	10 13/16	11 1/32	4 1/8	5 23/32	1		10913
11269999	26	17 23/32	11 5/8	11 7/32	4 29/32	6 3/32	1 1/16		11905

Tolerance: Forged parts ± 5%

19-05-2015