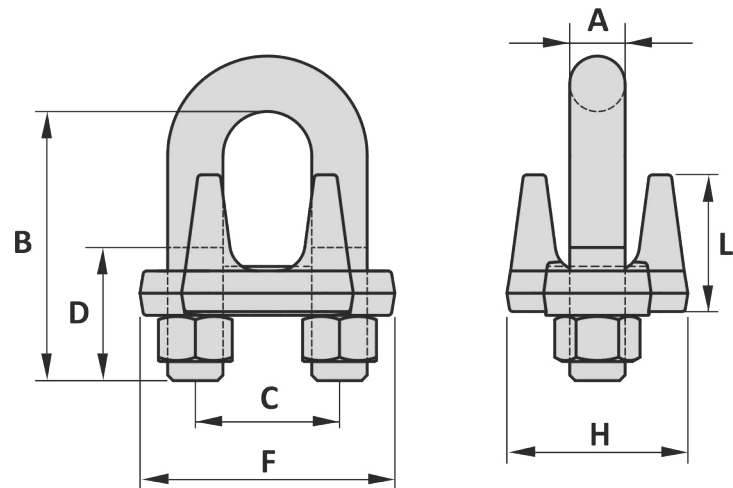
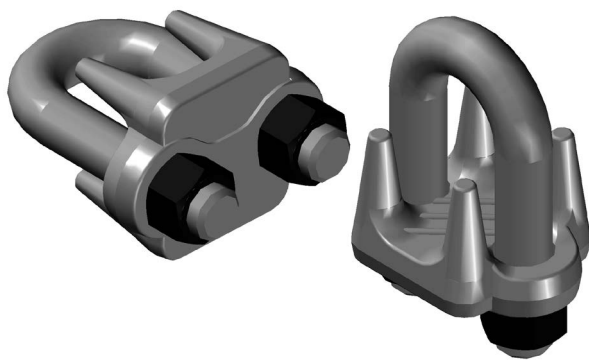


Material : High tensile steel
 Standards : Generally according to US Federal Spec FF-C-450
 Finish : Galvanized
 Temperature range : -20°C up to +200°C
 Standard certification : Certificate of Conformity



Art. No.	Rope size inch	Rope size mm	A mm	B mm	C mm	D mm	F mm	H mm	L mm	Weight kg
49004509	1 3/4	44 - 46	29	146	78	70	134	97	74	4.2
49005009	2	48 - 52	32	164	86	76	149	113	83	6.5
49005709	2 1/4	56 - 58	32	181	98	81	162	114	81	7.3
49006409	2 1/2	62 - 65	32	195	105	87	168	103	94	8.6
49007009	2 3/4	68 - 72	32	211	111	90	175	127	124	10
49007609	3	75 - 78	38	233	121	99	194	149	119	15
49008909	3 1/2	85 - 90	38	273	140	114	213	157	152	19

Tolerance: ± 5%

Art. No.	Rope size inch	Rope size mm	A inch	B inch	C inch	D inch	F inch	H inch	L inch	Weight lbs
49004509	1 3/4	44 - 46	1 1/8	5 3/4	3 1/16	2 3/4	5 3/32	3 1/16	2 29/32	9.3
49005009	2	48 - 52	1 1/4	6 1/16	3 3/8	3	5 7/8	4 1/16	3 1/4	14
49005709	2 1/4	56 - 58	1 1/4	7 1/8	3 3/8	3 3/16	6 3/8	4 1/2	3 3/16	16
49006409	2 1/2	62 - 65	1 1/4	7 1/16	4 1/8	3 3/16	6 3/8	4 1/16	3 1/16	19
49007009	2 3/4	68 - 72	1 1/4	8 3/16	4 3/8	3 3/16	6 3/8	5	4 3/8	22
49007609	3	75 - 78	1 1/2	9 3/16	4 3/4	3 29/32	7 7/8	5 7/8	4 1/16	33
49008909	3 1/2	85 - 90	1 1/2	10 3/4	5 1/2	4 1/2	8 3/8	6 1/16	6	42

Tolerance: ± 5%

01-07-2014