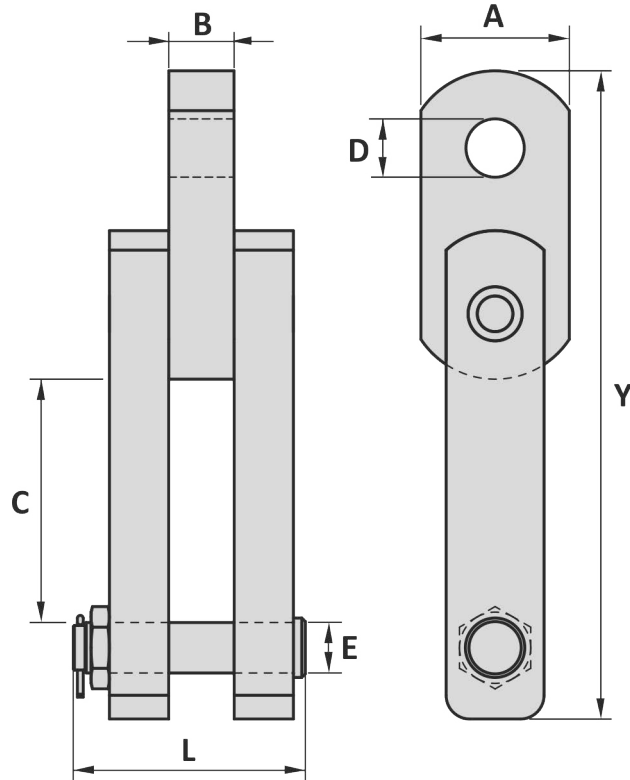
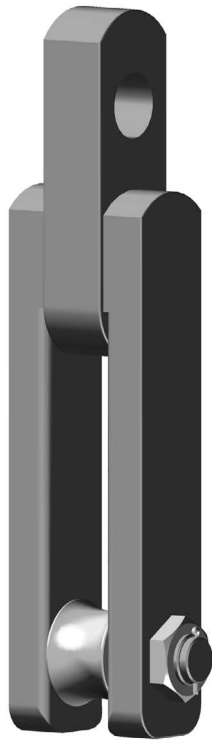


Material : High tensile steel
 Safety factor : 4 times
 Finish : Painted
 Temperature range : -20°C up to +200°C
 Standard certification : Certificate of Conformity



Art. No.	Chain inch	WLL ton	A mm	B mm	C mm	D mm	E mm	L mm	Y mm	Weight kg
46000001	2 ½	55	170	75	280	75	60	255	768	100
46000002	2 ¾	85	210	85	300	85	60	290	863	148
46000003	3	110	240	100	330	98	70	384	927	221
46000004	3 ¼	110	240	100	360	98	70	384	957	237
46000005	3 ½	120	250	110	390	98	85	391	1047	301
46000006	3 ¾	120	250	110	410	98	85	391	1091	315
46000007	4	150	280	120	440	115	90	421	1262	433
46000008	4 ¼	180	320	130	470	130	95	496	1325	543
46000009	4 ½	200	330	140	490	130	100	510	1385	629
46000010	4 ¾	225	350	150	520	145	105	540	1447	714

Tolerance: Forged parts ± 5%, machined parts ± 1 mm

Art. No.	Chain inch	WLL ton	A inch	B inch	C inch	D inch	E inch	L inch	Y inch	Weight lbs
46000001	2 ½	55	6 1/16	2 1/16	11 1/32	2 1/16	2 3/8	10 1/32	30 1/4	220
46000002	2 ¾	85	8 1/4	3 1/32	11 1/16	3 1/32	2 3/8	11 1/32	33 3/32	326
46000003	3	110	9 7/16	3 1/8	13	3 7/8	2 3/4	15 1/8	36 1/2	487
46000004	3 ¼	110	9 7/16	3 1/8	14 3/16	3 7/8	2 3/4	15 1/8	37 1/16	522
46000005	3 ½	120	9 27/32	4 5/16	15 11/32	3 7/8	3 1/32	15 3/8	41 7/32	664
46000006	3 ¾	120	9 27/32	4 5/16	16 1/8	3 7/8	3 1/32	15 3/8	42 15/16	694
46000007	4	150	11 1/32	4 23/32	17 5/16	4 1/32	3 9/16	16 9/16	49 11/16	955
46000008	4 ¼	180	12 19/32	5 1/8	18 1/2	5 1/8	3 3/4	19 17/32	52 5/32	1197
46000009	4 ½	200	13	5 1/2	19 9/32	5 1/8	3 1/16	20 1/16	54 17/32	1387
46000010	4 ¾	225	13 25/32	5 29/32	20 15/32	5 29/32	4 1/8	21 1/4	56 3/32	1574

Tolerance: Forged parts ± 5%, machined parts ± 1/32 inch

03-11-2014